

Cite this: *Energy Adv.*, 2023,
2, 1893

Electrowetting limits electrochemical CO₂ reduction in carbon-free gas diffusion electrodes†

Lorenz M. Baumgartner,^a Andrey Goryachev,^a Christel I. Koopman,^a David Franzen,^b Barbara Ellendorff,^{ib} Thomas Turek^b and David A. Vermaas^{ib}*^a

CO₂ electrolysis might be a key process to utilize intermittent renewable electricity for the sustainable production of hydrocarbon chemicals without relying on fossil fuels. Commonly used carbon-based gas diffusion electrodes (GDEs) enable high Faradaic efficiencies for the desired carbon products at high current densities, but have limited stability. In this study, we explore the adaption of a carbon-free GDE from a Chlor-alkali electrolysis process as a cathode for gas-fed CO₂ electrolysis. We determine the impact of electrowetting on the electrochemical performance by analyzing the Faradaic efficiency for CO at industrially relevant current density. The characterization of used GDEs with X-ray photoelectron spectroscopy (XPS) and X-Ray diffraction (XRD) reveals a potential-dependent degradation, which can be explained through chemical polytetrafluorethylene (PTFE) degradation and/or physical erosion of PTFE through the restructuring of the silver surface. Our results further suggest that electrowetting-induced flooding lets the Faradaic efficiency for CO drop below 40% after only 30 min of electrolysis. We conclude that the effect of electrowetting has to be managed more carefully before the investigated carbon-free GDEs can compete with carbon-based GDEs as cathodes for CO₂ electrolysis. Further, not only the conductive phase (such as carbon), but also the binder (such as PTFE), should be carefully selected for stable CO₂ reduction.

Received 20th June 2023,
Accepted 27th September 2023

DOI: 10.1039/d3ya00285c

rsc.li/energy-advances

Introduction

Electrochemical CO₂ reduction (CO₂R) could utilize excess wind and solar power to allow the sustainable production of hydrocarbon chemicals, fuels, or plastics.^{1,2} If combined with CO₂ capture from the atmosphere^{3,4} or the ocean,⁵ this process could be independent of fossil feedstocks and contribute to the goal of the Glasgow Climate Pact to limit the increase in global temperature to 1.5 °C.⁶

Captured CO₂ can be converted electrochemically with a CO₂ electrolyzer. Depending on the catalyst employed at the cathode, CO₂R can yield a range of chemical products (Ag: CO; Sn: HCOOH; Cu: C₂H₄). Despite suitable catalysts being available, CO₂R can still suffer from poor Faradaic efficiency due to mass transfer limitations. If the supply of CO₂ to the catalyst cannot

match the applied current density, the competing hydrogen evolution reaction (HER) takes place.⁷ While the production of CO on Ag has the highest maturity among the different CO₂R routes, the process for CO production still has to be further optimized to meet a number of key industrial criteria:⁸

- Current density, j : −200 to −500 mA cm^{−2}
- Faradaic efficiency, FE_{CO}: >95%
- Catalyst activity: 100 A g^{−1}
- Stability: >10 000 h

High $j_{\text{CO}_2\text{R}}$ has become feasible through the introduction of gas diffusion electrodes (GDEs). By avoiding mass transfer limitations imposed by the limited solubility and diffusivity of CO₂ in aqueous electrolytes,^{9–11} GDEs suppress the unwanted HER and allow high FE for C₁ products^{12–14} and C₂ products.^{15–17} Typically, GDEs for CO₂R consist of a catalyst layer (CL), coated on top of a gas diffusion layer (GDL). The CL provides a reaction interface, at which gaseous reactants get in contact with the catalyst surface and the electrolyte. Catalysts are typically employed in the form of nanoparticles¹⁸ with typical loadings of 1 mg cm^{−2},¹⁹ which allows specific catalyst activities of >200 A g^{−1}. The GDL is typically treated with polytetrafluoroethylene (PTFE) to prevent electrolyte intrusion and ensure free pore space for gas transport. The majority of studies utilizes commercial, carbon-based GDL materials adapted from hydrogen fuel cell research.^{20,21}

^a Department of Chemical Engineering, Delft University of Technology, Netherlands.
E-mail: D.A.Vermaas@tudelft.nl

^b Institute for Chemical and Electrochemical Process Engineering, Technical University Clausthal, Germany

† Electronic supplementary information (ESI) available: Accompanying.pdf file: detailed experimental procedures, technical documentation of the electrolysis setup, additional characterization data. Accompanying excel file: numerical values for all results and figures, characterization raw data, and all recorded process parameters for CO₂ electrolysis experiments. See DOI: <https://doi.org/10.1039/d3ya00285c>



Table 1 Stability of GDEs in electrolyzers. Carbon-based GDEs typically consist of a catalyst layer deposited on a commercial gas diffusion layer (catalyst/GDL). In MEA reactors, a membrane separates the GDE from the electrolyte. The carbon-free GDE from Covestro (oxygen depolarized cathode) consists of Ag particles and PTFE on a Ag mesh support.^{27,28} The current density is j . The reaction temperature is T

Process	Gas diffusion electrode	j (mA cm ⁻²)	T (°C)	Electrolyte	Lifetime (h)
Carbon-based GDEs: direct electrolyte contact					
CO ₂ R: CO	Ag + Nafion/ELAT LT1400 W cloth ²⁹	-185	20	1 M KHCO ₃	> 120
CO ₂ R: CO	Ag + Nafion/SGL 39BC ³⁰	-190	20	1 M KHCO ₃	≤ 20
CO ₂ R: HCOOH	Sn + carbon + PTFE/SGL 35BC ³¹	-200	20	1 M KHCO ₃	> 5
CO ₂ R: C ₂ H ₄	Cu/Freudenberg (unspecified) ¹⁶	-320	20	7 M KOH	< 1
CO ₂ R: CO	Ag/Freudenberg H23C6 ³²	-196	20	1 M KOH	< 0.25
Carbon-based GDEs: membrane electrode assembly (MEA)					
CO ₂ R: CO	Ag + Sustainion/SGL 35BC ¹⁴	-200	20	10 mM KHCO ₃	> 1000
CO ₂ R: CO	Ag + Nafion/carbon felt ²²	-100	20	1 M NaOH	< 2
Oxygen depolarized cathodes (ODCs): direct electrolyte contact					
ORR	Ag + carbon + PTFE/Ag mesh ³³	-300	80	32 wt% NaOH	> 28 800
CO ₂ R: CO	Ag + PTFE/Ag mesh (Covestro) ³⁴	-300	30	0.4 M K ₂ SO ₄ + 1.5 M KHCO ₃	> 1200
CO ₂ R: CO	Ag + PTFE/Ag mesh (Covestro) ³⁵	-150	20	0.4 M K ₂ SO ₄	> 840

While the first three criteria for industrial application are within reach with current materials, only a limited long-term stability has been reported for carbon-based GDEs. CO₂ electrolyzers with membrane electrode assembly (MEA) have achieved $j_{\text{CO}_2\text{R}}$ values of ≥ -200 mA cm⁻² and $\text{FE}_{\text{CO}} \geq 90\%$ for up to 1000 h (Table 1).¹⁴ More commonly, however, much shorter lifetimes than this are reported because insufficient hydration management leads to rapid electrode drying²² or carbonate salt formation in the gas channels.^{23–25} Even shorter lifetimes have been reported for CO₂ electrolyzers with a catholyte buffer (Table 1). Similar problems with GDE stability are also known from fuel cell applications, in which carbon and PTFE can degrade significantly after 100 h of operation at target current densities, which leads to a loss of hydrophobicity. In turn, the pore network of the GDL becomes more flooded with liquid, which reduces the performance by inhibiting the gas transport.²⁶

The lifetime of carbon-based GDEs in CO₂ electrolyzers depends on the chemical stability of the GDL substrate. As chemical degradation reduces the hydrophobicity of the pore network, electrolyte breakthrough occurs at lower differential pressure between liquid and gas phase,³⁶ which limits the flow-by regime in scaled-up electrolyzers.²⁹ The reported lifetime of carbon-based GDEs differs between materials types (Table 1). Nonwoven GDLs from Freudenberg exhibit especially short lifetimes of less than 1 h (Table 1).^{16,30,32} Yang *et al.* demonstrated the flooding of a Freudenberg GDL started when the cathode potential was set below -0.65 V *vs.* RHE. X-ray photoelectron spectroscopy (XPS) measurements indicated a degradation of the CFS, which showed a reduction of C–F bonds and an increase in oxygen content.³⁷ In contrast, carbon papers manufactured by SGL seem to be more stable (Table 1). For example, we recently demonstrated the operation of a SGL carbon paper at -190 mA cm⁻² for 20 h until flooding occurred. Post-electrolysis characterization revealed that the static contact angle of the CFS had dropped from initially 149° to 128° after electrolysis.³⁰ A woven carbon cloth from ELAT showed a very promising performance, as it was stable for at least 120 h and allowed more than 50% FE_{CO} despite flooding (Table 1).²⁹

The adoption of oxygen depolarized cathodes (ODC) for the CO₂R process might help avoid the limitations of carbon-based GDLs altogether.³⁸ ODCs are silver-containing GDEs, which have been employed in industrial chlor-alkali electrolysis for many years. Typically, they consist of a current collector mesh with a porous layer of Ag and PTFE, which allows O₂ transfer to reaction zone. There, the oxygen reduction reaction (ORR) is carried out at 80–90 °C with 30–35 wt% NaOH electrolytes.^{39–41} ODCs have been shown to be stable for ten thousands of hours in these harsh chemical conditions (Table 1).³³ Early ODCs used carbon particles as a catalyst support, which limited their long-term stability (> 10 000 h) because carbon is susceptible to degradation.^{39,40}

Modern ODCs have a carbon-free composition to enable a higher long-term stability.³⁹ For example, the commercial, carbon-free ODC from Covestro consists of Ag particles (92–98 wt%) and PTFE (2–8 wt%) on a Ag mesh support.^{27,28} Unfortunately, the GDE from Covestro is proprietary, which means that limited public characterization data is available.^{27,28} In our previous work, we developed our own carbon-free ODC, which has been optimized for ORR,^{42,43} and characterized it with advanced imaging techniques (*e.g.*, X-ray tomography, *operando* X-ray radiography).^{44,45}

As silver is a common catalyst for CO₂R, carbon-free ODCs that only use silver as the electrically conductive medium could be an interesting alternative to commonly used carbon-based GDEs. So far, only a limited number of publications has investigated the application of these carbon-free GDEs for CO₂R. For example, the commercial ODC from Covestro has been successfully employed for up to 1200 h in CO₂ electrolyzers with flowing catholyte (Table 1).^{34,35} The performance of these electrodes is limited by CO₂ mass transfer at higher j , as FE_{CO} falls below 80% beyond current densities of -300 mA cm⁻².⁴⁶ Studying the carbon-free GDEs developed in our previous work,^{42,43} Hoffmann *et al.* used *operando* synchrotron imaging to reveal the detrimental effect of electrolyte intrusion into the pore network of the GDE on the CO₂ mass transfer to the catalyst. This previous study shows that the electrolyte intrusion into the cathode, or flooding, depends on the applied potential



and the PTFE content. They achieved the highest current density of -300 mA cm^{-2} at a PTFE content of 3 wt% (97 wt% Ag) when testing for $\leq 50 \text{ min}$.⁴⁷

The flooding of the GDE with electrolyte is detrimental to the CO_2 performance because the intruding electrolyte lowers the effective diffusivity of the pore network by displacing the gas phase.⁴⁸ At open circuit potential, the flooding resistance of GDEs depends on material properties, such as the pore structure or wettability. For example, high flooding resistance can be achieved with small, hydrophobic pores.⁴⁸ This can be achieved by the addition of PTFE, which decreases the average pore diameter by filling gaps between the silver particles in the GDE.^{42,43} Further, the addition of PTFE increases the contact angle, which increases the hydrophobicity of the internal pore walls.^{42,43}

GDE flooding also depends on the electrowetting effect,^{44,45,49} which describes the physical phenomenon of surfaces becoming more hydrophilic when an electrical potential is applied. This has important implications for the flooding behavior of porous GDEs because the internal contact angles of the pore network are reduced as the electrode is charged during electrolysis. Under these conditions, the electrolyte can infiltrate the pore network and hinder gas diffusion.^{45,47}

In this work, we study the CO_2 R performance of carbon-free GDEs by assessing the chemical stability and analyzing the Faradaic efficiency for CO at industrially relevant current density (-200 mA cm^{-2}). We conducted experiments with a carbon-free GDE (97 wt% Ag, 3 wt% PTFE) and a typical carbon-based GDE made with a SGL 39BC substrate to allow a direct comparison between these two electrodes types. We assess the impact of electrowetting on the CO_2 R performance of carbon-free GDEs. In addition, the used electrodes were characterized with XPS and X-ray diffraction (XRD) to measure changes to the chemical composition. Based on these assessments, we discuss the feasibility of adopting carbon-free GDEs for CO_2 electrolysis.

Experimental methods

The electrode preparation, physical characterization, and electrochemical experiments are described in more detail in the ESI.†

Electrode preparation

Preparation of the carbon-free GDE. The carbon-free GDEs were prepared by spray deposition.⁴³ A suspension was mixed from 30 g Ag particles, 50 g of a solution with 1 wt% hydroxyethyl methyl cellulose, 40 g water to adjust the viscosity, and 1.5 g of a dispersion with 59 wt% PTFE. A silver gauze was used as a current collector. It was fixed in a frame and placed on a heating plate ($100 \text{ }^\circ\text{C}$) to facilitate the drying process. Then, the suspension was deposited onto the gauze in 80 homogeneous layers with an airbrush. The composition of the deposited layer was 97 wt% Ag and 3 wt% PTFE. The target Ag loading was 160 mg cm^{-2} . The coated sample was hot-pressed at $130 \text{ }^\circ\text{C}$ and 15 MPa for 5 min. Subsequently, we placed the GDE in an air

oven at $330 \text{ }^\circ\text{C}$ for 15 min to form pores by burning out methylcellulose and to sinter the Ag and PTFE.

Preparation of the carbon-based GDE. The carbon-based GDEs were prepared by depositing a silver catalyst layer on a commercial carbon-based GDL with a spray deposition process.³⁰ The ink suspension for the catalyst layer was mixed from 33 mg Ag nanopowder, 2.1 mL water, 2.1 mL propan-2-ol, and 180 μL of a 5 wt% Nafion D-521 dispersion. The mixture was homogenized in a sonication bath for 30 min. The GDL substrate (SGL 39 BC, SGL Carbon) was placed on a heating table ($130 \text{ }^\circ\text{C}$) equipped with a 2D-motorized stage. The ink was evenly sprayed onto the MPL side with an airbrush. The target composition of the deposited catalyst layer was 80 wt% Ag and 20 wt% Nafion. The target Ag loading was 1 mg cm^{-2} .

Electrode characterization. The static contact angle was measured with the sessile drop method.⁵⁰ We recorded images of 10 μL water droplets at five different locations of the sample. The contact angle was extracted with the image processing software ImageJ (Fig. S2, ESI†).⁵¹

The liquid breakthrough pressure (at open circuit potential) was measured by placing the sample in a transparent flow cell and pumping water into the liquid compartment (Fig. S1, ESI†). By closing off the liquid outlet, water was forced to break through the porous sample. We recorded the differential pressure at which the first droplet appeared on the gas side (Fig. S3, ESI†).

The convective mass transfer was analyzed by studying the CO_2 permeability. After installing the sample in a flow cell, we passed CO_2 through the material at different flow rates and measured the pressure drop (Fig. S4, ESI†). By plotting the flow rate against the pressure drop, we derived the permeability constant from the slope according to Darcy's law.⁵²

The diffusive mass transfer was evaluated by determining the limiting overall O_2 mass transfer coefficient. We use this metric as a proxy for the CO_2 mass transfer coefficient.³⁰ The GDE was placed in a flow cell with 6 M KOH in the liquid compartment. We flowed air through the gas compartment and measured the gas pressure (Fig. S5, ESI†). We carried out a linear sweep voltammetry (LSV) scan for the ORR. The value of K_{O_2} was derived from the plateau current density (Fig. S6, ESI†).

Scanning electron microscopy (SEM) was carried out with a JSM-6010LA microscope (JEOL, Japan) at an acceleration voltage of 5 kV. The images were recorded with a secondary electron imaging (SEI) and a back-scattered electron composition (BEC) detector.

X-ray diffraction (XRD) patterns were obtained using a Bruker D8 Advance diffractometer equipped with a Co anode ($\lambda(\text{K}\alpha) = 1.7889 \text{ \AA}$, 35 kV, 40 mA) and a Lynxeye position-sensitive detector. The diffractograms were acquired in the Bragg–Brentano geometry with a step size of 0.02° and an acquisition time of 4 s. A motorised varied-divergent slit (V6) and constant rotation of the holder (30 RPM) were applied. The diffractograms were processed in DiffraSuite.EVA (v.5.1) software. The Scherrer equation was used to evaluate changes to the crystallite size.⁵³

X-ray photoelectron spectroscopy (XPS) measurements were carried out on a K-Alpha XPS spectrometer (Thermo Scientific),



equipped with a small-spot (400 μm) monochromatic X-ray source (Al $K\alpha = 1486.6$ eV). Core level spectra were recorded with a pass energy of 50 eV. Low energy Ar^+ ions were used to compensate surface charging. CasaXPS software was used for data processing. The spectra were normalized on the C 1s binding energy (BE) of the adventitious carbon (284.8 eV). XPS depth profiles were recorded on the same spectrometer. Ar^+ sputtering was done at 3 kV with time steps of 60 s.

CO₂ electrolysis procedure. The CO₂ reduction performance was determined with an automated setup (Fig. 1). The cathode GDEs were installed in a membraneless flow cell (Fig. S1, ESI†). A mass flow controller (MFC1) supplied the CO₂ feed at a flow rate of 50 mLn min⁻¹. The CO₂ was humidified to 85% relative humidity at 20 °C in two bubble columns and fed into the gas compartment (Fig. S8, ESI†). The backpressure of the gas was set by the cracking pressure of a check valve. The 1 M KHCO₃ electrolyte was recirculated with a peristaltic pump. The liquid backpressure was controlled with an electronic control valve to set the flow-by regime at the GDE. After passing through the flow cell, the liquid stream was mixed with a purge gas, which was supplied at a flow rate of 80 mLn min⁻¹, in order to facilitate the transfer of the product gases into the headspace of the electrolyte reservoir. From there, the product gas mixture passed to the gas chromatography (GC) system. The flow rate was measured with a mass flow meter (MFM). We performed a series of current density steps ranging from -10 to -200 mA cm⁻². For each step, we carried out at least two GC injections to determine the Faradaic efficiency for CO and H₂ (Fig. S11, ESI†).

The cathode potential was recorded with an Ag/AgCl micro-reference electrode and corrected for the ohmic resistance of the electrolyte. The full cell potentials are measured as well, but are relatively high (2–8 V) due to the thick electrolyte (22 mm) channel. Because the reference electrode was placed close to the cathode, the cathode potential is insensitive to the cell configuration. Hence, unless indicated otherwise, all reported potentials are cathode potentials, given in the reversible hydrogen electrode (RHE) scale. All recorded process parameters, such as cell potentials, pressures, or GC data, are listed in the accompanying excel file of the ESI.†

Results & discussion

The prepared GDE samples were characterized and their CO₂ reduction performance assessed with galvanostatic measurements. The chemical stability of the GDEs was assessed by additional characterization after the electrolysis experiments. Supplementary results and the numerical values of all plotted data are included in the ESI.†

Electrode characterization

The carbon-free GDE consists of the sintered Ag-PTFE composite forming a uniform layer around the current collector mesh (Fig. S12, ESI†).⁴³ Both sides of the GDE exhibit a static contact angle of $\theta = 141^\circ$ at open circuit (Fig. 2). The material is more hydrophobic compared to a flat silver surface ($\theta_{\text{Ag}} = 95^\circ$)⁵⁴ because of the 3 wt% PTFE binder ($\theta_{\text{PTFE}} = 122^\circ$).⁵⁵ In addition,

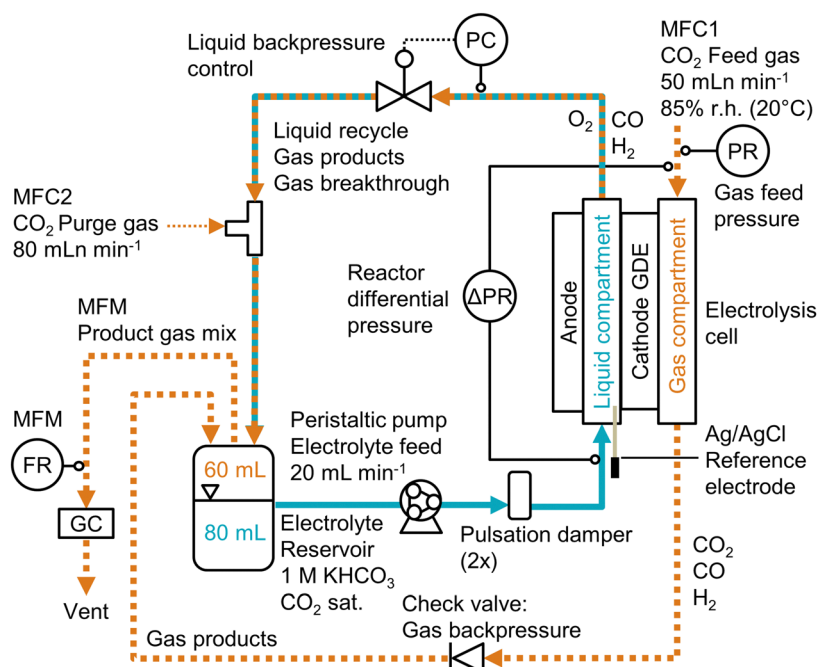


Fig. 1 Process flow diagram for CO₂ electrolysis setup. The backpressure of the electrolyte stream was controlled (PC) before it was mixed with the purge gas and recirculated. The differential pressure, Δp , across the GDE was measured between the catholyte and gas compartment (ΔPR). The Faradaic efficiency was determined by recording the product gas flow rate (FR) with a mass flow meter (MFM) and analyzing the gas composition by gas chromatography (GC).



the sintered GDE has a rough surface which allows gas pockets to enhance the contact angle according to the Cassie–Baxter model.⁵⁰ An overview of all measured contact angles is given in Table S2 (ESI†).

The carbon-based GDE is made up of the catalyst layer (CL), which is coated on top of the GDL (Fig. 2). The GDL has two components: the microporous layer (MPL) and the carbon fiber substrate (CFS). The MPL consists of carbon black and PTFE particles, which give it a high contact angle ($\theta_{\text{MPL}} = 153^\circ$). The CFS is comprised of graphitized carbon fibers, which have been impregnated with PTFE ($\theta_{\text{CFS}} = 149^\circ$). We note that our static contact angles have a mostly qualitative meaning as they do not capture the effects of contact angle hysteresis on rough surfaces or the internal contact angle,⁵⁶ which are critical to quantify the flooding behavior of the pore network.

The carbon-free GDE has a more than 20× higher liquid breakthrough pressure at open circuit, Δp_L^* , than the carbon-based GDE (Fig. 2: 1410 vs. 67 mbar). This high resistance against liquid intrusion is due to the unimodal pore structure with a small average diameter of $\bar{d}_{\text{pore}} = 0.8 \mu\text{m}$.⁴³ In contrast, the carbon-based GDL exhibits a much lower Δp_L^* . As the MPL commonly features large cracks due to the manufacturing process (Fig. S14, ESI†), this layer adds little flooding resistance despite the high θ_{MPL} and small pore size.^{30,36} Instead, Δp_L^* is mostly determined by the properties of the CFS, whose pores are much larger ($32 \mu\text{m}$)⁵⁷ and consequently exhibit a much lower capillary pressure.

The high Δp_L^* of the carbon-free GDE is very promising for scale-up because it determines how well the GDE could maintain the separation of gas and liquid phase at a large scale. For illustration, a Δp_L^* of 1.4 bar corresponds to resisting the hydrostatic pressure of an aqueous electrolyte in a 14 m tall cell, which is an order of magnitude larger than the height of commercial cells for alkaline electrolysis (1–2 m)⁵⁸ or chlor-

alkali electrolysis (1–1.5 m).^{59,60} However, the flooding resistance also has to be assessed under operating conditions because electrowetting can reduce the hydrophobicity and thereby decrease Δp_L^* .^{29,36}

The mass transfer between the gas bulk and the reaction zone can occur through convection and/or diffusion. The carbon-free GDE has a 30× smaller capacity for convective mass transfer compared to the carbon-based GDE, which is quantified with the CO_2 permeability constant, P_{CO_2} (Fig. 2: 7 vs. 206 $\text{mL min}^{-1} \text{mbar}^{-1}$). According to the Hagen–Poiseuille equation ($F_{\text{G,pore}} \propto d_{\text{pore}}^4$), the flow rate through a pore scales with the fourth power of the diameter. We can therefore expect the carbon-free GDE's small pores to result in a lower P_{CO_2} . In contrast, the carbon-based GDE has relatively large CFS pores and large cracks allowing a large portion of the gas flow to bypass the small pores of the MPL. As proposed in a previous study, we can expect diffusion to be the dominating mass transfer mechanism in the flow-by regime.³⁰ For this reason, the lower P_{CO_2} of the carbon-free GDE should not hamper the CO_2 reduction performance significantly.

The carbon-free GDE has a 20% lower capacity for diffusive mass transfer, K_{O_2} (Fig. 2: 76 vs. $96 \times 10^{-3} \text{ cm s}^{-1}$). We quantified this capacity with the limiting overall O_2 mass transfer coefficient, k_{O_2} , which serves as a proxy for the experimentally less accessible limiting CO_2 mass transfer coefficient.³⁰ The lower diffusive mass transport for the carbon-free GDE is explained by its higher thickness and smaller pore size, which lead to a longer, more tortuous diffusion pathway compared to its carbon-based counterpart. It may be beneficial to reduce the thickness of the GDE by using a thinner current collector gauze and depositing fewer layers of silver and PTFE.

The silver loading of the carbon-free GDE is almost 250× higher compared to the carbon-based GDE (Fig. 2: 248 mg Ag cm^{-2} vs. 1 mg Ag cm^{-2}). As silver is a relatively



Fig. 2 Physical properties of carbon-free GDE and carbon-based GDE (GDL: SGL 39BC carbon paper). The static contact angle, θ , \pm its standard error were calculated from five or more measurements. ^aThe average pore diameter, \bar{d}_{pore} , was obtained from Franzen *et al.*⁴³ for the carbon-free GDE. ^bThe \bar{d}_{pore} of the SGL 39 BC's carbon fiber substrate (CFS) was obtained from Parikh *et al.*⁵⁷ The total thickness of the GDE is δ . The liquid breakthrough pressure is Δp_L^* . The CO_2 permeability constant is P_{CO_2} . The limiting overall O_2 mass transfer coefficient is, k_{O_2} , (proxy for CO_2 mass transfer). Its error bars indicate the standard deviation of the limiting currents. More detailed characterization data are available in the ESI.†



expensive metal, we can expect this higher loading to increase the capital expenditure of the electrode significantly. Therefore, we test the CO₂R performance to assess if the carbon-free GDE the higher material costs with a higher productivity and/or lifetime.

CO₂ electrolysis: electrowetting inhibits performance

The carbon-free GDE has a similar CO₂ reduction performance at -100 mA cm^{-2} as the carbon-based GDE (Fig. 3). At -200 mA cm^{-2} its FE_{CO} becomes significantly lower compared to the carbon-based GDE (35% vs. 86%). Based on the relative diffusivities of the characterization results, we would expect the carbon-free GDE to achieve a proportionally lower FE_{CO} of 69%. Because this is not the case, however, we hypothesize that the additional performance drop is caused by the observed electrolyte flooding. Flooding fills empty pores with liquid and decreases the effective diffusivity of the porous GDE. As a consequence, the CO₂ mass transfer falls below the supply of electrons, so that the HER takes place instead of the CO₂R. The cathode potential, E_{Cath} , probably becomes more negative compared to the carbon-based GDE because evolving hydrogen gas bubbles increase the ohmic resistance (-1.4 V compared to -1.7 V vs. RHE). We can further investigate this inferior performance by comparing the short-term stability.

The carbon-free GDE does not allow stable CO₂R at -200 mA cm^{-2} and has a much lower FE_{CO} compared to the carbon-based GDE (Fig. 4a and c). First droplets of electrolyte appear on the gas side of the GDE 10 min after the current density is applied and the cathode potential drops below -1.3 V . This suggests that the initially high flooding resistance is lost due to electrowetting. As the run proceeds, the FE_{CO} declines steadily while the electrolyte droplets increase in size and start to dry out. After a run time of 40 min, (bi)carbonate salts start forming on the surface of the GDE (Fig. S15, ESI†).

We carried out another electrolysis run with the carbon-free GDE at -50 mA cm^{-2} in an attempt to mitigate the electrowetting-induced flooding with a less negative cathode potential (Fig. 4b). FE_{CO} declines more slowly as the initial E_{Cath} is less negative compared to the -200 mA cm^{-2} run (-1.0 V compared to -1.3 V). This slower flooding is in agreement with X-ray

imaging studies, which report that the speed of electrolyte intrusion is potential-dependent.^{45,49} Ultimately, however, the CO₂R performance is also not stable at -1.0 V because the flooding leads to salt formation on the gas side.

Our results (Fig. 4) raise the question why electrowetting leads to a more detrimental flooding for the carbon-free than for the carbon-based GDE. Electrowetting spreads an electrolyte more strongly on bare, conductive surfaces (e.g., silver, carbon) than on surfaces that are covered with a dielectric insulator (e.g., PTFE).^{45,61} We hypothesize that the carbon-based GDE's higher PTFE content (MPL: 23 wt%, CFS: 5 wt%) covers bare carbon surfaces more effectively, which leads to a stronger insulation against electrowetting. In contrast, the PTFE in the carbon-free GDE has a lower concentration (3 wt%) and is distributed heterogeneously throughout the pore network.^{44,45} This structure probably allows the electrolyte to transition from a non-wetting Cassie–Baxter state to a wetting Wenzel state, when the potential is decreased sufficiently.^{61,62} This means that the electrolyte does not rest on the dispersed PTFE, but spreads along the bare silver surfaces through electrowetting.⁴⁵

Electrowetting leads to a poor performance for CO₂R with the carbon-free GDE (Fig. 4). This is interesting because electrowetting and electrolyte breakthrough also occur during ORR, but they do not seem to have such a detrimental effect for this reaction.^{42,49} We hypothesize that the flooding due to electrowetting is stronger for the CO₂R because this reaction requires more negative cathode potentials compared to the ORR (Fig. 5). Therefore, the electrolyte saturates the pore network to a higher extent and the supply of CO₂ is severely limited.

The poor CO₂R performance of our carbon-free GDEs (3 wt% PTFE) suggests that a different manufacturing approach is required to mitigate the effect of electrowetting and ensure high gas diffusivity under operating conditions. While increasing the PTFE content further, for example to 8 wt% PTFE, significantly reduces the intrusion of electrolyte,⁴⁷ this is not a viable strategy because the additional PTFE also prevents the wetting of catalyst sites and reduces the amount of open pore space available for gas diffusion.⁴³ Perhaps this problem could be solved by^{43,47} fabricating the GDE from two layers with

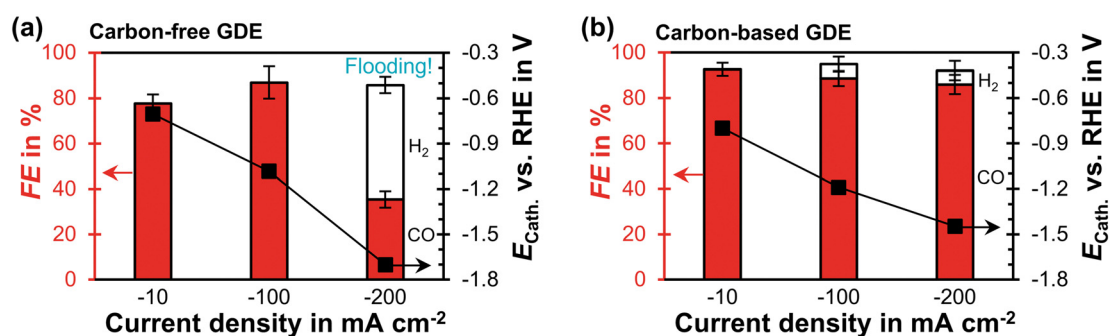


Fig. 3 CO₂ reduction performance in flow-by regime at steady state: the Faradaic efficiency, FE, for CO or H₂ is plotted as a function of current density on the left y-axis. The error bars represent the estimated standard errors. The cathode potential, E_{Cath} , against the reversible hydrogen electrode (RHE) is plotted on the right y-axis. The potential was corrected for the ohmic potential drop between the reference electrode and the cathode. (a) Carbon-free GDE: each data point represents an average calculated from two GC injections. Flooding occurred after 10 min at -200 mA cm^{-2} . The two injections were taken 30 min later. (b) Carbon-based GDE: each data point is based on three GC injections. The data is taken from a previous publication.²⁹





Fig. 4 Faradaic efficiency for CO, FE_{CO} , as a function of run time after starting the potentiostat. The iR -compensated cathode potential, $E_{Cath.}$ against the reversible hydrogen electrode (RHE) is plotted on the right y-axis. Every data point represents a single GC injection. The error bars represent the estimated standard error. (a) Carbon-free GDE at -200 mA cm^{-2} . (b) Carbon-free GDE at -50 mA cm^{-2} . (c) Carbon-based GDE (GDL: SGL 39BC) at -200 mA cm^{-2} .²⁹

varying PTFE content. The (I) reaction layer should have a relatively low PTFE content ($\leq 3 \text{ wt}\%$) and would provide a large wetted catalyst surface for the CO_2R reaction. The (II) diffusion layer should have a relatively high PTFE content ($\geq 6 \text{ wt}\%$) to make it more resilient against electrowetting and ensure the transport of CO_2 from the gas bulk to the reaction layer. Perhaps it is also possible to selectively increase the PTFE content of the GDE's gas-facing side by introducing an additional PTFE coating step to the manufacturing process.

Post electrolysis characterization: PTFE degradation occurs at high overpotential

In addition to reversible electrowetting, the GDE can also experience a permanent loss of hydrophobicity through chemical reactions, which also has a negative impact on performance and is detrimental to the long-term stability. After



Fig. 5 Linear sweep voltammetry scans comparing CO_2R and ORR on a carbon-based GDE with a Ag loading of 1 mg cm^{-2} on the basis of a SGL 39BC GDL. The current density is plotted as a function of the cathode potential, $E_{Cath.}$. The potential was corrected for the ohmic potential drop between the reference electrode and the cathode. The experiments were conducted at 20°C with a scan rate of 20 mV s^{-1} . The CO_2R experiment was carried out in 1 M KHCO_3 ($\text{pH} = 7.5$) with a CO_2 gas feed. The equilibrium potential, E^0 , was obtained from Jouny *et al.*⁶³ The ORR experiment used 6 M KOH ($\text{pH} = 14.8$) and an air gas feed. The E^0 was obtained from Mousallem *et al.*³⁹

CO_2 electrolysis, we rinsed the electrodes with water to remove carbonate salts. We then measured the static contact angle and analyzed chemical changes with SEM, XPS, and XRD.

The XPS analysis of the GDE surface shows no clear change in Ag oxidation state (Fig. S20, ESI[†]), in line with the applied cathodic potentials. The XRD diffractograms of fresh and used GDEs show a single cubic phase of Ag^0 with no variation of crystalline parameters (Fig. S17, ESI[†]). These results indicate that the surface did not oxidize and that the crystallite size of Ag particles did not change by CO_2R .

However, elemental contrast imaging with SEM/BEC suggests that the amount of surface PTFE was reduced by the electrolysis at -200 mA cm^{-2} (Fig. 6). Particularly, the silver backbone of a fresh GDE was covered with finely dispersed PTFE particles, in contrast to the large silver clusters emerged at the surface of the spent sample. The morphology change of spent GDEs was also reflected in a significant reduction of θ (Fig. 6: 111° vs. 141°), which is in line with the observed removal of hydrophobic PTFE domains from the electrode surface. We hypothesize that the removal of PTFE is caused by chemical degradation and/or physical erosion due to restructuring of the silver surface.

The XPS survey reveals that the loss of hydrophobicity is accompanied by a change in surface chemistry. The electrolysis reduced the fluorine concentration from $58 \text{ at}\%$ vs. $40 \text{ at}\%$, while the carbon concentration increased from $36 \text{ at}\%$ vs. $49 \text{ at}\%$ (Table 2). Further, the chemical state of carbon changes as the fraction of C–R bonds increases at the cost of C–F bonds (Table 2). These results support the hypothesis that PTFE undergoes reductive electrochemical degradation. According to Shapoval *et al.*,⁶⁴ this mechanism takes place below the cathode potential threshold of -1.3 V (Fig. S23, ESI[†]). In its course, fluoride is eliminated from the PTFE polymer chain⁶⁴ and carbonaceous decomposition products are left behind.^{64,65}





Fig. 6 SEM images and static contact angle, θ , of carbon-free GDEs: elemental contrast images were recorded with the BEC detector of the SEM (Light grey domains: Ag, dark grey domains: PTFE). The average $\theta \pm$ the standard error were determined with the sessile drop method. (a) Fresh GDE sample. (b) After electrolysis at -200 mA cm^{-2} for 84 min with an initial cathode potential of -1.8 V vs. RHE (potential stabilized at -1.4 V vs. RHE). Additional SEM images are available in Fig. S18 (ESI[†]).

The slight increase in the atomic concentration of oxygen and the fraction of CO_x bonds (Table 2) is probably caused by residual potassium (bi-)carbonate salts. The presence of these salts was confirmed by the small amount of potassium in the XPS signal of the used sample (Table S6 and Fig. S21, ESI[†]).

XPS depth profile analysis shows a uniform reduction of 14 at% in fluorine content along the surface profiled after electrolysis (Fig. 7a). As a consequence, the relative concentration of Ag increases by an average of 11 at% along the depth profile. The relative carbon content increases only slightly by 4 at% along the profile (Fig. 7c). These findings agree with the hypothesis that electrochemical degradation eliminates fluoride from the PTFE polymer chain and leaves behind carbonaceous degradation products.^{64,65}

In addition, the normalized Ag distribution of the used sample is shifted towards the surface (Fig. 7e), which might be due to the migration of Ag and/or the removal of PTFE close to the top surface. This phenomenon could be explained by a potential-induced restructuring of the Ag surface,^{27,65} which might cause the PTFE to loose adhesion and fall off. Such a restructuring would be in agreement with the smoother Ag surfaces observed in the SEM images (Fig. 6). We can therefore

conclude that physical erosion of PTFE due to Ag restructuring probably takes place in parallel to chemical degradation.

The carbon-free GDE that was operated at -50 mA cm^{-2} and a cathode potential of -1.0 V also underwent chemical changes. The XPS analysis shows that the surface concentration of fluorine is lower than for the fresh sample (Table 2: 58 at% vs. 51 at%). The fraction of CF_2 bonds drops from 84% to 76% (Table 2). These changes to the surface chemistry are accompanied by a reduction of θ from $141 \pm 1^\circ$ to $132 \pm 2^\circ$ compared to the fresh sample (Fig. 6). However, the SEM images suggest that the silver matrix remains covered with dispersed PTFE (Fig. 6). The XPS depth profiles vary little compared to a fresh sample (Fig. S22, ESI[†]). These results show that the degradation of the GDE is less significant at -1.0 V (-50 mA cm^{-2}) compared to the GDE that operating at -1.8 V (-200 mA cm^{-2}).

It is noteworthy that the degradation of PTFE also seems to take place below the reported potential threshold of -1.3 V vs. RHE .⁶⁴ A possible explanation for this inconsistency might be that the difference in solvent affects the elimination of fluoride from the polymer chain. Shapoval *et al.*⁶⁴ studied PTFE degradation in anhydrous DMF, while our electrolyte was aqueous KHCO_3 . Other interesting questions for future study are how fast the degradation occurs over time and if the mechanism only depends on the cathode potential or also on the total charge passed through the GDE.

Our carbon-free GDEs underwent chemical degradation after less than 1.5 h of CO_2 electrolysis. Long-term CO_2 electrolysis was successfully performed for more than 1200 h by Haas *et al.* with the carbon-free GDEs from Covestro.³⁴ These electrodes were characterized after electrolysis, which revealed a restructuring of the silver surface. Further, Raman microscopy showed a shift in signal from PTFE to carbon,²⁷ which is probably a sign of PTFE degradation at the surface. This example suggests that carbon-free GDEs can tolerate some chemical degradation during long-term CO_2 electrolysis. A possible explanation for this tolerance might be that the removal and degradation of PTFE occurs primarily close to the surface while leaving the internal pores less affected. Nonetheless, it is critical that the sintered silver backbone retains its morphology and pore size to ensure stable long-term operation.

The investigated carbon-free GDEs are not a feasible cathode for CO_2 electrolysis. We can expect carbon-free GDEs to require

Table 2 XPS measurements of carbon-free GDEs: assessment of elemental composition and the chemical state of carbon (CF_2 : C–F bonds in PTFE; CO_x : COR, CO, COOR; CR: C–H or C–C bonds. C–X: all carbon bonds). (a) Fresh GDE sample. (b) After electrolysis at -200 mA cm^{-2} for 84 min with an initial cathode potential of -1.8 V vs. RHE (stabilized at -1.4 V vs. RHE). (c) After electrolysis at -50 mA cm^{-2} for 89 min with cathode potential of -1.0 V vs. RHE . The analyzed area was facing the electrolyte during electrolysis

Sample	(a) Fresh sample	(b) -200 mA cm^{-2} -1.8 V vs. RHE	(c) -50 mA cm^{-2} -1.0 V vs. RHE
Elemental surface composition			
F	58 at%	40 at%	51 at%
C	36 at%	49 at%	35 at%
Ag	4 at%	4 at%	6 at%
O	1 at%	6 at%	4 at%
Relative fraction of carbon bonds			
$\text{CF}_2/\text{C-X}$	84%	45%	76%
$\text{CO}_x/\text{C-X}$	4%	7%	4%
CR/C-X	13%	48%	20%



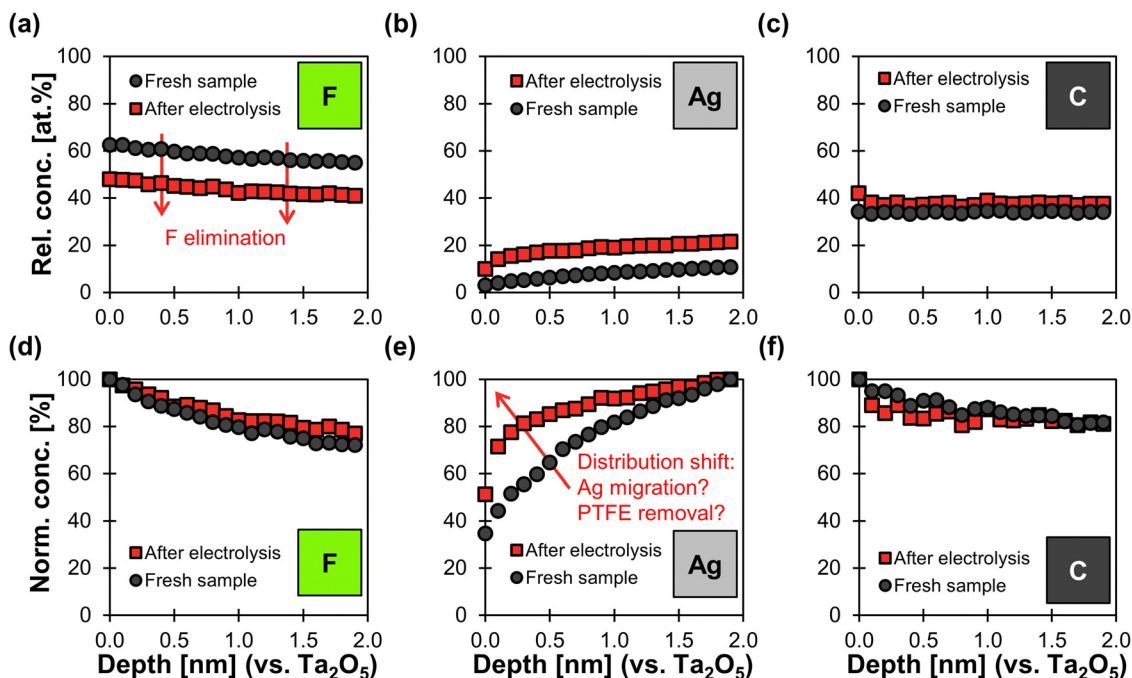


Fig. 7 XPS depth profiles of fresh carbon-free GDE and spent sample after electrolysis. Electrolysis was performed at -200 mA cm^{-2} for 84 min with an initial cathode potential of -1.8 V vs. RHE (stabilized at -1.4 V vs. RHE). The x -axis shows the depth profile calibrated against a Ta_2O_5 standard sputtered with Ar^+ ions. (a)–(c): the y -axis shows the relative atomic concentrations of F, Ag, and C (other elements were not considered in this analysis mode). This means that the three elements together make up 100 at% in this plot. (d)–(f): the y -axis shows the normalized concentrations for each elements along the profile. This means that the depth with the highest atomic concentration along the profile determines the 100% value in the normalized concentration plot.

higher capital expenditure because the substitution of carbon with silver increases the loading by two orders of magnitude (e.g. Fig. 2 carbon-free: $248 \text{ mg Ag cm}^{-2}$ vs. carbon-based: 1 mg Ag cm^{-2}). To recover these additional costs, carbon-free GDEs require a higher productivity and/or lifetime compared to carbon-based GDEs. At a j of -200 mA cm^{-2} , the finely dispersed Ag catalyst in carbon-based GDEs achieves a specific productivity of 200 A g^{-1} . This already satisfies the productivity criterion of 100 A g^{-1} proposed by Masel *et al.*⁸ In contrast, our carbon-free GDEs only reach a silver catalyst productivity of 1 A g^{-1} at the same j . To make matters worse, our carbon-free GDEs achieved a FE_{CO} 40% due to the effects of electrowetting.^{34,46}

Conclusion

We have investigated the adoption of a carbon-free GDE for electrochemical CO_2 reduction (CO_2R), which was originally developed for the oxygen reduction reaction (ORR) in the chlor-alkali process. The GDE experienced a poor FE_{CO} ($\leq 40\%$) at cathode potentials beyond -1.0 V vs. RHE (-50 mA cm^{-2}) due to physical electrowetting. Electrowetting reduces the hydrophobicity of the porous GDE, which blocks gas diffusion paths by electrolyte flooding and (bi)carbonate salt formation. Exposing the GDE to potentials of -1.8 V vs. RHE (-200 mA cm^{-2}) for $< 90 \text{ min}$ resulted in a partial degradation and removal of PTFE from the GDE. This might suggest that a poor chemical stability limits the long-term stability of these electrodes, but it was not

possible to deconvolute the effect of degradation from the effect of electrowetting on the FE_{CO} . Compared with commonly used carbon-based GDEs, the investigated carbon-free GDE exhibit a worse production rate of CO and did not allow steady state operation. We conclude that the effect of electrowetting has to be managed more carefully before the investigated carbon-free GDE can compete with carbon-based GDEs as cathode for CO_2 electrolysis.

Conflicts of interest

There are no conflicts to declare.

Acknowledgements

The authors are grateful for the engineering support provided by Christiaan Schinkel, Stefan ten Hagen, Duco Bosma, and Bart Boshuizen. This research received funding from the Netherlands Organization for Scientific Research (NWO) under project number 733.000.008 in the framework of the Solar to Products programme co-funded by Shell Global Solutions International B.V. David Franzen, Barbara Ellendorff and Thomas Turek acknowledge financial support by the German Research Foundation (DFG) in the framework of the research unit “Multi-scale analysis of complex three-phase systems: oxygen and CO_2 reduction” (FOR 2397, grant number 27665287).



References

- P. De Luna, C. Hahn, D. Higgins, S. A. Jaffer, T. F. Jaramillo and E. H. Sargent, What Would It Take for Renewably Powered Electrosynthesis to Displace Petrochemical Processes?, *Science*, 2019, **364**(6438), eaav3506.
- M. G. Kibria, J. P. Edwards, C. M. Gabardo, C.-T. Dinh, A. Seifitokaldani, D. Sinton and E. H. Sargent, Electrochemical CO₂ Reduction into Chemical Feedstocks: From Mechanistic Electrocatalysis Models to System Design, *Adv. Mater.*, 2019, **31**(31), 1807166.
- D. W. Keith, G. Holmes, D. S. Angelo and K. Heidel, A Process for Capturing CO₂ from the Atmosphere, *Joule*, 2018, **2**(8), 1573–1594.
- W. A. Smith, T. Burdyny, D. A. Vermaas and H. Geerlings, Pathways to Industrial-Scale Fuel out of Thin Air from CO₂ Electrolysis, *Joule*, 2019, **3**(8), 1822–1834.
- R. Sharifian, R. M. Wagterveld, I. A. Digdaya, C. Xiang and D. A. Vermaas, Electrochemical Carbon Dioxide Capture to Close the Carbon Cycle, *Energy Environ. Sci.*, 2021, **14**(2), 781–814.
- G. Hammond and M. Newborough, Glasgow Climate Pact: A Step on the Way Towards a Lower Carbon Dioxide World, *Proc. - Inst. Civ. Eng.*, 2022, **175**(1), 8–8.
- Y. Y. Birdja, E. Pérez-Gallent, M. C. Figueiredo, A. J. Göttle, F. Calle-Vallejo and M. T. M. Koper, Advances and Challenges in Understanding the Electrocatalytic Conversion of Carbon Dioxide to Fuels, *Nat. Energy*, 2019, **4**(9), 732–745.
- R. I. Masel, Z. Liu, H. Yang, J. J. Kaczur, D. Carrillo, S. Ren, D. Salvatore and C. P. Berlinguette, An Industrial Perspective on Catalysts for Low-Temperature CO₂ Electrolysis, *Nat. Nanotechnol.*, 2021, 118–128.
- D. Higgins, C. Hahn, C. Xiang, T. F. Jaramillo and A. Z. Weber, Gas-Diffusion Electrodes for Carbon Dioxide Reduction: A New Paradigm, *ACS Energy Lett.*, 2019, **4**(1), 317–324.
- D. M. Weekes, D. A. Salvatore, A. Reyes, A. Huang and C. P. Berlinguette, Electrolytic CO₂ Reduction in a Flow Cell, *Acc. Chem. Res.*, 2018, **51**(4), 910–918.
- E. W. Lees, B. A. W. Mowbray, F. G. L. Parlane and C. P. Berlinguette, Gas Diffusion Electrodes and Membranes for CO₂ Reduction Electrolysers, *Nat. Rev. Mater.*, 2022, **7**(1), 55–64.
- Y. Chen, A. Vise, W. E. Klein, F. C. Cetinbas, D. J. Myers, W. A. Smith, T. G. Deutsch and K. C. Neyerlin, A Robust, Scalable Platform for the Electrochemical Conversion of CO₂ to Formate: Identifying Pathways to Higher Energy Efficiencies, *ACS Energy Lett.*, 2020, **5**(6), 1825–1833.
- B. Endrödi, E. Kecsenovity, A. Samu, T. Halmágyi, S. Rojas-Carbonell, L. Wang, Y. Yan and C. Janáky, High Carbonate Ion Conductance of a Robust Piperion Membrane Allows Industrial Current Density and Conversion in a Zero-Gap Carbon Dioxide Electrolyzer Cell, *Energy Environ. Sci.*, 2020, 4098–4105.
- R. B. Kutz, Q. Chen, H. Yang, S. D. Sajjad, Z. Liu and I. R. Masel, Sustainion Imidazolium-Functionalized Polymers for Carbon Dioxide Electrolysis, *Energy Technol.*, 2017, **5**(6), 929–936.
- F. P. G. De Arquer, C.-T. Dinh, A. Ozden, J. Wicks, C. McCallum, A. R. Kirmani, D.-H. Nam, C. Gabardo, A. Seifitokaldani and X. Wang, CO₂ Electrolysis to Multi-carbon Products at Activities Greater Than 1 A cm⁻², *Science*, 2020, **367**(6478), 661–666.
- C.-T. Dinh, T. Burdyny, M. G. Kibria, A. Seifitokaldani, C. M. Gabardo, F. P. García de Arquer, A. Kiani, J. P. Edwards, P. De Luna, O. S. Bushuyev, C. Zou, R. Quintero-Bermudez, Y. Pang, D. Sinton and E. H. Sargent, CO₂ Electroreduction to Ethylene Via Hydroxide-Mediated Copper Catalysis at an Abrupt Interface, *Science*, 2018, **360**(6390), 783.
- H. Yang, J. J. Kaczur, S. D. Sajjad and R. I. Masel, Electrochemical Conversion of CO₂ to Formic Acid Utilizing Sustainion™ Membranes, *J. CO₂ Utilizat.*, 2017, **20**, 208–217.
- H. R. M. Jhong, F. R. Brushett and P. J. Kenis, The Effects of Catalyst Layer Deposition Methodology on Electrode Performance, *Adv. Energy Mater.*, 2013, **3**(5), 589–599.
- B. Endrödi, G. Bencsik, F. Darvas, R. Jones, K. Rajeshwar and C. Janáky, Continuous-Flow Electroreduction of Carbon Dioxide, *Prog. Energy Combust. Sci.*, 2017, **62**, 133–154.
- S. Park, J.-W. Lee and B. N. Popov, A Review of Gas Diffusion Layer in PEM Fuel Cells: Materials and Designs, *Int. J. Hydrogen Energy*, 2012, **37**(7), 5850–5865.
- A. El-kharouf, T. J. Mason, D. J. L. Brett and B. G. Pollet, Ex-Situ Characterisation of Gas Diffusion Layers for Proton Exchange Membrane Fuel Cells, *J. Power Sources*, 2012, **218**, 393–404.
- D. A. Salvatore, D. M. Weekes, J. He, K. E. Dettelbach, Y. C. Li, T. E. Mallouk and C. P. Berlinguette, Electrolysis of Gaseous CO₂ to CO in a Flow Cell with a Bipolar Membrane, *ACS Energy Lett.*, 2017, **3**(1), 149–154.
- B. De Mot, M. Ramdin, J. Hereijgers, T. J. Vlugt and T. Breugelmanns, Direct Water Injection in Catholyte-Free Zero-Gap Carbon Dioxide Electrolysers, *ChemElectroChem*, 2020, **7**(18), 3839–3843.
- B. Endrödi, E. Kecsenovity, A. Samu, F. Darvas, R. V. Jones, V. Török, A. Danyi and C. Janáky, Multilayer Electrolyzer Stack Converts Carbon Dioxide to Gas Products at High Pressure with High Efficiency, *ACS Energy Lett.*, 2019, **4**(7), 1770–1777.
- B. Endrödi, A. Samu, E. Kecsenovity, T. Halmágyi, D. Sebök and C. Janáky, Operando Cathode Activation with Alkali Metal Cations for High Current Density Operation of Water-Fed Zero-Gap Carbon Dioxide Electrolysers, *Nat. Energy*, 2021, **6**(4), 439–448.
- J. Park, H. Oh, T. Ha, Y. I. Lee and K. Min, A Review of the Gas Diffusion Layer in Proton Exchange Membrane Fuel Cells: Durability and Degradation, *Appl. Energy*, 2015, **155**, 866–880.
- S. Jovanovic, R. Krause, A. Lützen, J. Ackermann, S. Merz, P. Jakes, R.-A. Eichel and J. Granwehr, Post-Test Raman Investigation of Silver Based Gas Diffusion Electrodes, *J. Electrochem. Soc.*, 2020, **167**(8), 086505.



- 28 T. Turek, I. Moussallem, A. Bulan, N. Schmitz and P. Weuta, Oxygen-Consuming Electrode with Multilayer Catalyst Coating and Process for the Production Thereof, *US pat.*, US9243337B2, 2016.
- 29 L. M. Baumgartner, C. I. Koopman, A. Forner-Cuenca and D. A. Vermaas, When Flooding Is Not Catastrophic – Woven Gas Diffusion Electrodes Enable Stable CO₂ Electrolysis, *ACS Appl. Energy Mater.*, 2022, 5, 15125–15135.
- 30 L. M. Baumgartner, C. I. Koopman, A. Forner-Cuenca and D. A. Vermaas, Narrow Pressure Stability Window of Gas Diffusion Electrodes Limits the Scale-up of CO₂ Electrolyzers, *ACS Sustainable Chem. Eng.*, 2022, 10(14), 4683–4693.
- 31 D. Kopljar, A. Inan, P. Vindayer, N. Wagner and E. Klemm, Electrochemical Reduction of CO₂ to Formate at High Current Density Using Gas Diffusion Electrodes, *J. Appl. Electrochem.*, 2014, 44(10), 1107–1116.
- 32 M. E. Leonard, L. E. Clarke, A. Forner-Cuenca, S. M. Brown and F. R. Brushett, Investigating Electrode Flooding in a Flowing Electrolyte, Gas-Fed Carbon Dioxide Electrolyzer, *ChemSusChem*, 2019, 13(2), 400–411.
- 33 N. Furuya and H. Aikawa, Comparative Study of Oxygen Cathodes Loaded with Ag and Pt Catalysts in Chlor-Alkali Membrane Cells, *Electrochim. Acta*, 2000, 45(25), 4251–4256.
- 34 T. Haas, R. Krause, R. Weber, M. Demler and G. Schmid, Technical Photosynthesis Involving CO₂ Electrolysis and Fermentation, *Nat. Catal.*, 2018, 1(1), 32–39.
- 35 P. Jeanty, C. Scherer, E. Magori, K. Wiesner-Fleischer, O. Hinrichsen and M. Fleischer, Upscaling and Continuous Operation of Electrochemical CO₂ to CO Conversion in Aqueous Solutions on Silver Gas Diffusion Electrodes, *J. CO₂ Utilizat.*, 2018, 24, 454–462.
- 36 B. De Mot, J. Hereijgers, M. Duarte and T. Breugelmans, Influence of Flow and Pressure Distribution inside a Gas Diffusion Electrode on the Performance of a Flow-by CO₂ Electrolyzer, *Chem. Eng. J.*, 2019, 378, 122224.
- 37 K. Yang, R. Kas, W. A. Smith and T. Burdyny, Role of the Carbon-Based Gas Diffusion Layer on Flooding in a Gas Diffusion Electrode Cell for Electrochemical CO₂ Reduction, *ACS Energy Lett.*, 2021, 6(1), 33–40.
- 38 S. Hernandez-Aldave and E. Andreoli, Oxygen Depolarised Cathode as a Learning Platform for CO₂ Gas Diffusion Electrodes, *Catalysis Science & Technology*, 2022.
- 39 I. Moussallem, J. Jörisen, U. Kunz, S. Pinnow and T. Turek, Chlor-Alkali Electrolysis with Oxygen Depolarized Cathodes: History, Present Status and Future Prospects, *J. Appl. Electrochem.*, 2008, 38(9), 1177–1194.
- 40 T. Morimoto, K. Suzuki, T. Matsubara and N. Yoshida, Oxygen Reduction Electrode in Brine Electrolysis, *Electrochim. Acta*, 2000, 45(25), 4257–4262.
- 41 M. Sugiyama, K. Saiki, A. Sakata, H. Aikawa and N. Furuya, Accelerated Degradation Testing of Gas Diffusion Electrodes for the Chlor-Alkali Process, *J. Appl. Electrochem.*, 2003, 33(10), 929–932.
- 42 I. Moussallem, S. Pinnow, N. Wagner and T. Turek, Development of High-Performance Silver-Based Gas-Diffusion Electrodes for Chlor-Alkali Electrolysis with Oxygen Depolarized Cathodes, *Chem. Eng. Process.*, 2012, 52, 125–131.
- 43 D. Franzen, B. Ellendorff, M. C. Paulisch, A. Hilger, M. Osenberg, I. Manke and T. Turek, Influence of Binder Content in Silver-Based Gas Diffusion Electrodes on Pore System and Electrochemical Performance, *J. Appl. Electrochem.*, 2019, 49(7), 705–713.
- 44 M. C. Paulisch, M. Gebhard, D. Franzen, A. Hilger, M. Osenberg, S. Marathe, C. Rau, B. Ellendorff, T. Turek, C. Roth and I. Manke, Operando Synchrotron Imaging of Electrolyte Distribution in Silver-Based Gas Diffusion Electrodes During Oxygen Reduction Reaction in Highly Alkaline Media, *ACS Appl. Energy Mater.*, 2021, 4(8), 7497–7503.
- 45 F. Bienen, M. C. Paulisch, T. Mager, J. Osiewacz, M. Nazari, M. Osenberg, B. Ellendorff, T. Turek, U. Nieken and I. Manke, Investigating the Electrowetting of Silver-Based Gas-Diffusion Electrodes During Oxygen Reduction Reaction with Electrochemical and Optical Methods, *Electrochem. Sci. Adv.*, 2022, e2100158.
- 46 M. Löffelholz, J. Osiewacz, A. Lüken, K. Perrey, A. Bulan and T. Turek, Modeling Electrochemical CO₂ Reduction at Silver Gas Diffusion Electrodes Using a TFFA Approach, *Chem. Eng. J.*, 2022, 435, 134920.
- 47 H. Hoffmann, M. C. Paulisch, M. Gebhard, J. Osiewacz, M. Kutter, A. Hilger, T. Arlt, N. Kardjilov, B. Ellendorff, F. Beckmann, H. Markötter, M. Luik, T. Turek, I. Manke and C. Roth, Development of a Modular Operando Cell for X-Ray Imaging of Strongly Absorbing Silver-Based Gas Diffusion Electrodes, *J. Electrochem. Soc.*, 2022, 169(4), 044508.
- 48 A. Z. Weber, Improved Modeling and Understanding of Diffusion-Media Wettability on Polymer-Electrolyte-Fuel-Cell Performance, *J. Power Sources*, 2010, 195(16), 5292–5304.
- 49 M. C. Paulisch, M. Gebhard, D. Franzen, A. Hilger, M. Osenberg, N. Kardjilov, B. Ellendorff, T. Turek, C. Roth and I. Manke, Operando Laboratory X-Ray Imaging of Silver-Based Gas Diffusion Electrodes During Oxygen Reduction Reaction in Highly Alkaline Media, *Materials*, 2019, 12(17), 2686.
- 50 D. Quéré, Rough Ideas on Wetting, *Phys. A*, 2002, 313(1–2), 32–46.
- 51 C. A. Schneider, W. S. Rasband and K. W. Eliceiri, NIH Image to ImageJ: 25 Years of Image Analysis, *Nat. Methods*, 2012, 9(7), 671–675.
- 52 Z. Zeng and R. Grigg, A Criterion for Non-Darcy Flow in Porous Media, *Transp. Porous Media*, 2006, 63(1), 57–69.
- 53 F. T. L. Muniz, M. A. R. Miranda, C. Morilla dos Santos and J. M. Sasaki, The Scherrer Equation and the Dynamical Theory of X-Ray Diffraction, *Acta Crystallogr., Sect. A: Found. Crystallogr.*, 2016, 72(3), 385–390.
- 54 F. Bartell and P. H. Cardwell, Reproducible Contact Angles on Reproducible Metal Surfaces. I. Contact Angles of Water against Silver and Gold, *J. Am. Chem. Soc.*, 1942, 64(3), 494–497.
- 55 C. W. Extrand and Y. Kumagai, An Experimental Study of Contact Angle Hysteresis, *J. Colloid Interface Sci.*, 1997, 191(2), 378–383.
- 56 D. L. Wood, C. Rulison and R. L. Borup, Surface Properties of Pemfc Gas Diffusion Layers, *J. Electrochem. Soc.*, 2010, 157(2), B195.



- 57 N. Parikh, J. Allen and R. Yassar, Microstructure of Gas Diffusion Layers for PEM Fuel Cells, *Fuel Cells*, 2012, **12**(3), 382–390.
- 58 M. Lehner, R. Tichler, H. Steinmüller and M. Koppe, *Power-to-Gas: Technology and Business Models*, Springer, 2014.
- 59 G. Faita and F. Federico, *Electrolysis Cell with Gas Diffusion Electrode*, US 7670472 B2, 2010.
- 60 N. Chavan, S. Pinnow, G. Polcyn and T. Turek, Non-Isothermal Model for an Industrial Chlor-Alkali Cell with Oxygen-Depolarized Cathode, *J. Appl. Electrochem.*, 2015, **45**, 899–912.
- 61 M. Li, M. N. Idros, Y. Wu, T. Burdyny, S. Garg, X. S. Zhao, G. Wang and T. E. Rufford, The Role of Electrode Wettability in Electrochemical Reduction of Carbon Dioxide, *J. Mater. Chem. A*, 2021, **9**, 19369–19409.
- 62 E. D. Laird, R. K. Bose, H. Qi, K. K. S. Lau and C. Y. Li, Electric Field-Induced, Reversible Lotus-to-Rose Transition in Nanohybrid Shish Kebab Paper with Hierarchical Roughness, *ACS Appl. Mater. Interfaces*, 2013, **5**(22), 12089–12098.
- 63 M. Jouny, W. Luc and F. Jiao, General Techno-Economic Analysis of CO₂ Electrolysis Systems, *Ind. Eng. Chem. Res.*, 2018, **57**(6), 2165–2177.
- 64 G. Shapoval, A. Tomilov, A. Pud and V. Vonsyatskii, Electrochemical Reductive Destruction of Polytetrafluoroethylene, *Theor. Exp. Chem.*, 1984, **20**(2), 234–236.
- 65 N. Wagner, M. Schulze and E. Gülzow, Long Term Investigations of Silver Cathodes for Alkaline Fuel Cells, *J. Power Sources*, 2004, **127**(1), 264–272.

