

Cite this: *Mater. Adv.*, 2022,  
3, 4954

# Theoretical insights into molecular design of hot-exciton based thermally activated delayed fluorescence molecules†

Jesni M. Jacob and Mahesh Kumar Ravva \*

Despite the recent breakthroughs in the TADF process, more research is needed to understand its mechanism and develop rational molecular designs for structures with higher efficiencies and quantum yield. Hot exciton-based TADF materials, like traditional (cold) TADF, can effectively utilize singlet and triplet excitons, theoretically resulting in 100% IQE. However, in contrast to cold TADF (from low-lying  $T_1$  to  $S_1$ ), the RISC process in hot TADF occurs from high-lying triplet to singlet excited states (from  $T_m(m > 1)$  to  $S_n(n > 1)$ ). However, designing materials that satisfy conditions for hot exciton formation, such as large triplet spacing in lower states and a small singlet-triplet gap in higher states, remains a difficult job. In this study, we explore and analyze the fundamental concepts of molecular design and suggest a design strategy by establishing structure-property relationships for hot-TADF molecules using density functional theory methods. This study could lead to new insights into molecular design approaches for organic materials with many hot exciton channels, which could lead to better exciton utilization.

Received 13th January 2022,  
Accepted 14th May 2022

DOI: 10.1039/d2ma00039c

rsc.li/materials-advances

## Introduction

For many years, scientists have been working hard to overcome the constraint of spin-statistics in optoelectronic devices.<sup>1–3</sup> A lot of research has been done to bring novel strategies to enhance quantum efficiency and methodologies for developing efficient OLED (Organic Light Emitting Diode) devices. Due to the pioneering work of Tang and collaborators in OLED research, a great deal of progress has been made in this domain, and several generations of OLEDs have emerged.<sup>4–6</sup> In the traditional fluorescent OLEDs, only 25% of excitons generated in the singlet state are utilized, resulting in the wastage of 75% of the electrons and holes fed into the device. As a result, making better use of passive triplet excitons has become an active and exciting research topic.<sup>7–10</sup> To convert non-emissive triplet excitons to emissive singlet excitons, three types of mechanisms are possible based on Reverse Intersystem Crossing (RISC)<sup>11</sup> transition channels, namely (i) Thermally Activated Delayed Fluorescence (TADF)<sup>7,11–26</sup> (ii) Triplet Triplet Annihilation (TTA)<sup>27–31</sup> and (iii) the higher-order RISC (hRISC) based hot-exciton mechanism.<sup>32–39</sup> Both TADF and TTA processes can potentially convert excitons from  $T_1$  to  $S_1$  through

RISC and theoretically raise internal quantum efficiency (IQE) to 100% and 62.5%, respectively.<sup>12,40,41</sup>

A breakthrough in this field happened when Ma and coworkers proposed the hot exciton mechanism in 2012.<sup>42</sup> The hot exciton mechanism sparked researchers' interest in harvesting triplet excitons *via* hRISC.<sup>43–45</sup> The core notion of the hot-exciton mechanism is hRISC, which is essentially the RISC from high-lying triplet states.<sup>32</sup> This process begins with the cross-back of high-lying triplet excitons and ends up as radiative singlet excitons. The hot-exciton property is exhibited by some HLCT (Hybridized Local and Charge Transfer) materials due to its distinct electronic structure and features.<sup>46–51</sup> The HLCT state is a hybrid of LE and CT states that bears the benefits of both the LE (Local Excitation) and CT (Charge Transfer) states.<sup>35,52</sup> Thus, unlike in the LE and CT states, the hole and electron wavefunctions in HLCT have part of the overlap instead of absolute separation (CT state) or substantial overlap (LE state). The LE state produces a higher radiative rate, and the CT state producing a smaller energy gap results in efficient RISC.<sup>33,53</sup>

In contrast to the conventional TADF emitters, an ideal hot-exciton material possesses few characteristics. There are a few necessary factors to consider while designing molecules that obey the hot-exciton mechanism. The energy gap between  $T_1$  and  $T_2$  states is the base for creating hot-exciton channels.<sup>33,38,42,54–56</sup> The large gap between  $T_1$  and  $T_2$  states will undoubtedly obstruct the internal conversion process between these states and prevent long-lived triplet excitons

Department of Chemistry, SRM University-AP, Andhra Pradesh, 522240, India.  
E-mail: mahesh.r@srmmap.edu.in† Electronic supplementary information (ESI) available. See DOI: <https://doi.org/10.1039/d2ma00039c>

from annihilating.<sup>57,58</sup> Another crucial criterion is that the lowest excited state,  $S_1$  must have the LE dominating character.<sup>53</sup> It is preferable for the hot-exciton mechanism's final emissive state should be a LE excited state.<sup>32</sup> This feature will help to achieve a narrower emission spectrum and assure a high chance of  $S_1$  radiative transition. This will be beneficial in terms of increasing quantum efficiency. In addition to the aforementioned need, the higher excited states ( $S_{n(n>1)}$ ,  $T_{m(m>1)}$ ) should be charge transfer dominated states. The exciton binding energy will be lowered as a result of exciton delocalization, resulting in a tiny gap ( $\Delta E_{S_n T_m} \sim 0$  eV) between these states. The hRISC process can be accelerated by molecules with higher excited states ( $T_m \rightarrow S_n$ ) exhibiting strong CT character and close energy levels.<sup>57</sup> This will undoubtedly act as a motivational factor for the hot-exciton channels.

Spin-orbit coupling (SOC) is particularly crucial in determining the pace of RISC, in addition to the negligible singlet-triplet energy splitting in higher excited states.<sup>59–62</sup> As per Fermi's Golden rule,<sup>63–66</sup> a significantly large SOC between the relevant states can result in a two order of magnitude increase in the RISC rate. Studies on the relationship between the molecular structure and light-emitting characteristics of the hot-exciton emitters are helpful in the development of efficient emitters. Meeting all of the necessary conditions for creating emitters with hRISC based hot-exciton properties is a difficult task. Tremendous attention must be taken while tuning the molecular structures to successfully adjust the excited state of hot-exciton materials. It is hard to obtain organic compounds with considerably large triplet spacing in the lowest states ( $\Delta E_{T_2-T_1}$ ) and higher excited states with CT characteristics.<sup>57</sup> In this work, we strive to develop efficient ways for rational molecular designing to get the suitable hot-exciton emitters with desired excited state characteristics.

## Computational methodology

The ground state ( $S_0$ ) geometries were optimized at the DFT/ $\omega$ B97X/6-31G(d,p) level of theory.<sup>67–69</sup> The five lowest excited singlet states (based on  $S_0$  structure) and five lowest triplet states (based on optimized T geometry) were calculated by TDA/ $\omega$ B97X/6-31G(d,p)<sup>57,70–73</sup> and the natural transition orbital analysis (NTOs)<sup>74</sup> was performed to characterize the nature of excited states. It has been shown previously that the range-separated hybrid functional  $\omega$ B97X is a better choice for the description of charge-transfer excitations.<sup>57,73</sup> In contrast, typical functionals with limited Hartree-Fock exchanges perform poorly in excitation energy estimates and structural optimizations.<sup>75</sup> All ground-state and excited-state calculations were performed using Gaussian 16 software.<sup>76</sup> Furthermore, the charge transfer ratio was calculated using the Multiwfn code.<sup>77</sup> Spin-orbit coupling (SOC) values were estimated by TDA-DFT calculations with the  $\omega$ B97X hybrid functional using Amsterdam Density Functional (ADF) software package.<sup>78–83</sup> The Slater-type all-electron basis set (TZP) was used for these computations within the ADF software. The thermal vibration correlation function formalism implemented in MOMAP (Molecular Materials

Property Prediction Package) was used to calculate the constants of radiative and non-radiative transition rates.<sup>84</sup> One of the most crucial transition processes in TADF is the RISC. The RISC decay rates were calculated using the classical Marcus rate equation.<sup>62</sup>

## Molecular design strategy

In this study, we designed a series of novel donor (D)- $\pi$ -acceptor (A) type molecules that exhibit the hot-exciton mechanism. We explored the newly designed molecules' electronic properties to contribute to the design of OLED materials using the "hot-exciton" channel. Phenoxazine (PXZ) and carbazole (CZ) were chosen as donor units because of their moderate electron-donating capacity, whereas electron-withdrawing groups including hydrogen (H), fluorine (F), and cyano (CN) groups were substituted on the pyrazine unit as acceptor units. The cyano functionalized naphthothiadiazole (NZ)<sup>39,85</sup> and anthracene-thiadiazole (AZ) units were used to connect the donor and acceptor units. Twelve D- $\pi$ -A framework molecules were designed by joining the aforementioned donor, acceptor, and  $\pi$ -bridge segments (as illustrated in Scheme 1).

## Results and discussion

### (i) Ground state geometries

Fig. 1 shows the optimized ground state configurations of newly designed molecules along with dihedral angles ( $\phi$ ) corresponding to the angle between donor and  $\pi$ -bridge; and  $\pi$ -bridge and acceptor unit. The coupling between donor and acceptor units may be suppressed in a D- $\pi$ -A type molecule with a large twist angle, resulting in spatially separated HOMO and LUMO orbitals. A lower twist angle may improve  $\pi$ -conjugation and electron delocalization between the donor and acceptor groups. The dihedral angles between the bridging benzene and the donor unit CZ are range from  $56^\circ$  to  $60^\circ$  in the CZ derivatives. The same between the bridging ring and the donor unit PXZ is between  $64^\circ$  and  $86^\circ$  in the PXZ derivatives. PXZ derivatives exhibit higher twist angles than CZ derivatives, which might be related to the difference in donor unit strength and steric interactions between donor unit and  $\pi$ -bridge. Compared to the PXZ moiety, the CZ unit has a weaker electron-donating ability. Also, in the CZ derivatives, hydrogen atoms of the carbazole unit are far away from the  $\pi$ -bridge. As a result, less twist angle is observed in CZ derivatives. For the PXZ derivatives, the steric repulsion effect of nearby hydrogen atoms at the 2,6-position of the phenyl ring and AZ unit is responsible for almost orthogonal geometries between AZ moiety and neighboring phenyl ring with dihedral angles over  $90^\circ$ . The stronger repulsions between units lead to a more dihedral angle twist between phenoxazine unit and  $\pi$ -bridge. In CZ derivatives, large dihedral angles are observed in the molecules with AZ bridges than molecules with NZ bridges. The strength of electron-withdrawing units has a marginal impact on dihedral angles (varies from  $67^\circ$  to  $64^\circ$ ). The acceptor strength rises in the order





Scheme 1 Molecular structures of the different donor,  $\pi$ -bridges and acceptor fragments considered in this study.



Fig. 1 Optimized geometries of newly designed molecules in the ground-state as obtained at  $\omega$ B97X/6-31G(d,p) level of theory.

$H < F < CN$ , which corresponds to the slight decrease in the dihedral angles between the bridging benzene and acceptor unit in the order as  $CZ1NPZCN < CZ1NZPZF < CZ1NZPZH$ . Similar observations are also made in the cases of PXZ derivatives.

The acceptor strength is significantly enhanced with the extended  $\pi$ -conjugation due to the other CN group on the  $\pi$ -bridge in the molecule, which is conjugated through the pyrazine moiety as depicted in Fig. 2. This increased conjugation results in the reduction in  $\phi$  between  $\pi$ -bridge and acceptor unit. However, this does





Fig. 2 Structures of CZ1NZPZH to show the extended  $\pi$ -conjugation between the donor and cyano group on  $\pi$ -bridge.

not occur for the CZ derivatives possessing the AZ unit, as the repulsions between the AZ unit and the adjacent H atoms in the bridging benzene ring predominates the conjugation factor within the molecule. When we focus on the molecular skeleton, the strength of donor and acceptor units should be modest.<sup>14,57</sup> It should not be too strong or weak. Generally, the hot-exciton emitters are made up of units with moderate electron-donating and electron-withdrawing substituents.

### (ii) FMO analysis

We then focused on the electronic structure by examining the most important orbitals: highest occupied molecular orbitals (HOMOs) and lowest unoccupied molecular orbitals (LUMOs). Fig. 3 depicts the electron cloud distribution of HOMO and LUMO orbitals towards the donor,  $\pi$ -bridge, and acceptor units in the molecule. The HOMO is dispersed mainly on the electron-donating CZ unit in CZ derivatives with NZ core and extends to the neighboring phenyl ring. The LUMO is primarily distributed on the electron acceptor moiety and extends slightly to the adjacent benzene ring. The same is true in the case of PXZ derivatives with the NZ unit. However, molecules with AZ core stand different with their HOMO and LUMO localized separately on the donor and acceptor groups. A significant separation of FMO orbitals can be observed in these types of molecules. This reduces the energy gap between the singlet and triplet states to construct RISC channels. Due to this, the excited state properties of the molecules are likely to exhibit strong charge transfer characteristics.

### (iii) Excited state characteristics

We need to investigate the nature of excited states, energy level alignments, and transition features to gain more insights into the hot-exciton mechanism. The lowest ten singlet and ten triplet excitation energies were calculated to gain an overall picture of the energy landscape. Fig. 4 shows the excited-state energy levels of the studied molecules and the energy values are

given in Tables S1 and S2 (ESI<sup>†</sup>). Furthermore, the Natural Transition Orbitals (NTO) analysis was performed on these states to understand the nature of excited state transition features. NTOs show electronic excitations as concise orbital representations. It portrays the relevant excited states as a single pair of NTO orbitals representing hole and electron wavefunctions.<sup>72,86</sup> The calculated NTO maps of studied molecules are provided in Fig. S1 (ESI<sup>†</sup>).

There are three types of excitations in general: Local excitation (LE) occurs when a hole and an electron overlap the same spatial region. Charge-transfer excitation (CT) occurs when the spatial separation between the hole and the electron is significant, resulting in a noticeable shift in charge density. HLCT (Hybridized Local and Charge Transfer) is a type of excited state in which both the LE and CT states exist simultaneously.<sup>87–90</sup>

The hole and electron wavefunctions (NTO maps) can qualitatively describe the nature of the excited state. Similarly, the  $\Delta r$  index<sup>91</sup> (distance between the centroid of the hole and the centroid of the electron) can characterize the nature of excited states quantitatively. We could readily determine whether the excitation is CT/LE/HLCT by inspecting the hole and electron wavefunctions. A LE state is the one in which the hole and electron wavefunctions have a large overlap and smaller  $\Delta r$  value. In a CT state, the hole and electron are spatially separated in various portions of the molecule with a larger  $\Delta r$  value. As described earlier, HLCT is a hybrid state with CT and LE characters. Thus, unlike in the LE and CT states, the hole and electron wavefunctions in HLCT have part of the overlap instead of absolute separation (CT state) or strong overlap (LE state). The calculated  $\Delta r$  indices for the molecules under study are provided in Table S6 (ESI<sup>†</sup>). The following section describes the necessary conditions to obey hot-exciton TADF properties.

### (iv) Evaluation of the conditions for hot-exciton TADF

Upper triplet crossing is a simple way to describe the hot exciton process, *i.e.*, the RISC process occurs between higher triplet and singlet energy levels. The upconversion of triplet excitons through the hot-exciton channel is dependent on precise control of singlet and triplet energy levels and SOC. There must be a small energy difference between the high singlet and triplet states and a substantial energy difference between the  $T_2$  and  $T_1$  states. As a result, it can open hot-exciton channels between higher  $T_m$  and  $S_n$  while blocking internal conversion from  $T_2$  to  $T_1$ . For a fast radiative rate and high exciton utilization, the  $S_1$  state should have the HLCT character. Excitons in the LE component with large oscillator strength assure good fluorescence radiation efficiency; simultaneously, weakly bounded excitons in the CT component can increase the production of singlet excitons from the high lying excited triplet states in an HLCT excited-state system. As a result, materials having HLCT characteristics can achieve high efficiency above the spin-statistical limit.

The most important criteria for the hot exciton process is maintaining a high energy barrier between the lower triplet states, *i.e.*,  $T_2$  and  $T_1$  levels (to suppress the internal conversion). As clearly shown in Fig. 4, out of the 12 molecules we studied, four







Fig. 3 The HOMO–LUMO wavefunctions of the studied molecules at  $\omega$ B97X/6–31G(d,p) level of theory.

molecules (namely CZ1AZPZH, CZ1AZPZF, CZ1AZPCN, and PXZ1NZPZH) have a reasonably sizeable  $T_2$ – $T_1$  energy gap (1.0–1.2 eV). Based on the energy gap law, this energy gap will significantly hinder the rapid internal conversion (IC) process. As a result, higher RISC (hRISC) channels are favored, facilitating exciton distribution on  $S_1$ , compared to the IC channel that consumes  $T_2$  energy. Another benefit is that triplet-triplet annihilation (TTA) can be avoided due to the absence of generation or accumulation of triplet excitons.

The energy gap between singlet and triplet excited states ( $\Delta E_{ST}$ ) is critical in determining the efficiency of OLED materials as the energy gap between the essential singlet and triplet states impacts the rate of RISC. According to the Marcus rate equation, the rate of RISC is as follows:<sup>62</sup>

$$k_{\text{RISC}} \propto e^{-\frac{\Delta E_{ST}}{k_B T}} \quad (1)$$



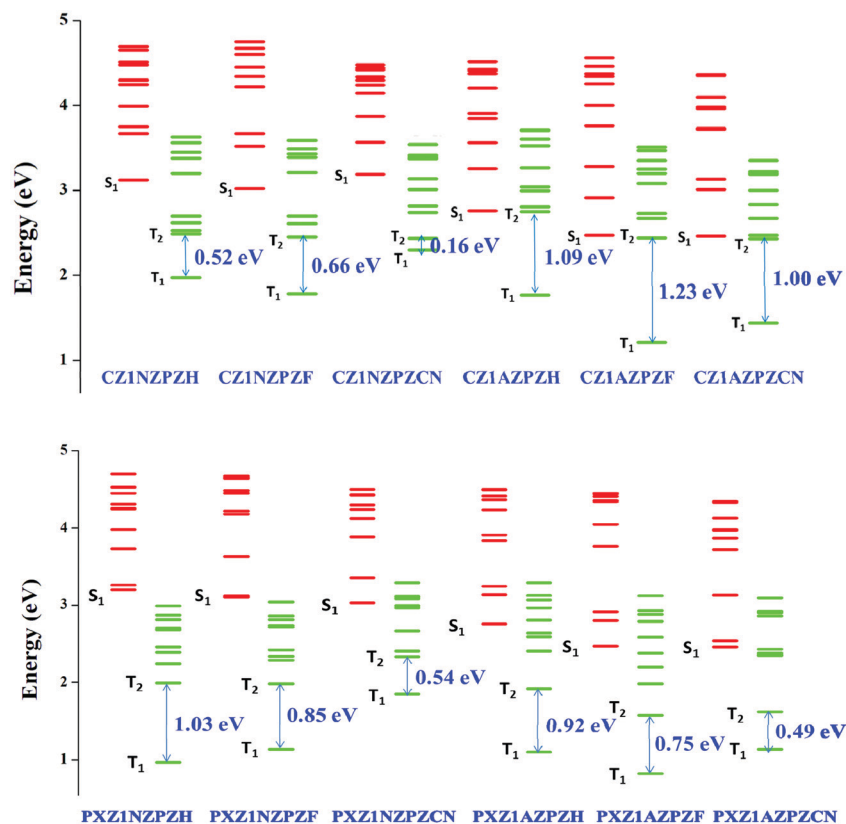


Fig. 4 Excited state energy diagrams of molecules, including the lowest ten singlet and ten triplet excited states at TDA/ $\omega$ B97X/6-31G(d,p) level of theory.

As a result, a small energy gap ( $\Delta E_{ST}$ ) can effectively promote RISC from  $T_1$  to  $S_1$ .

Fig. S1 (ESI<sup>†</sup>) shows the hole and electron wave functions derived from the NTO analyses of the lowest five singlet excited states and lowest five triplets excited states of the four potential molecules identified based on  $T_1$ - $T_2$  energy gaps. In all the four potential molecules, the distributions of hole and electron are localized on the acceptor unit in the lower singlet ( $S_1$ ) excited state, which clearly indicates that the  $S_1$  state is dominated by a strongly bound localized state (LE) character. Similarly, the  $T_1$  state of all molecules exhibits LE character except in the case of PXZ1NZPZH, which is a CT-dominated HLCT state with electron cloud dispersed across the bridging benzene ring. The excited state features indicated by NTO analysis also agree with the calculated charge transfer ratios. Charge transfer ratios are calculated by dividing the molecule into three fragments: donor, acceptor, and  $\pi$ -bridge. The outcomes of the charge transfer ratio analysis are listed in Table S3 (ESI<sup>†</sup>). The results of both qualitative and quantitative approaches are complementary, thus validating our observations. The TDA-DFT and NTO analysis point to the fact that the three molecules under investigation, CZ1AZPZH, CZ1AZPZF, and CZ1AZPZCN, show considerable overlap between corresponding transition orbitals. As a result of the dominant local character of the lowest singlet and triplet states, a substantial gap between  $S_1$  and  $T_1$  states emerged, as shown in Fig. 4. The high energy

barrier between the lowest singlet and triplet states makes upconversion of triplet excitons to singlet excitons through the thermally activated RISC route impossible. Therefore, the traditional/cold TADF mechanism is no longer feasible. It becomes necessary to envisage a new route for higher RISC (hRISC) to collect the triplet excitons since the chance for the RISC process from the lowest  $T_1$  state and  $S_1$  state is significantly less due to the high energy barrier between these states.

According to the Fermi's Golden rule<sup>63,64</sup> the rate of RISC ( $k_{RISC}$ ) is directly proportional to the spin orbit coupling and inversely proportional to the singlet-triplet energy splitting ( $\Delta E_{ST}$ ).

$$k_{RISC} \propto \frac{(\text{SOC})^2}{\Delta E_{ST}} \quad (2)$$

Thus, an effective hRISC channel from higher excited states would be triggered more successfully as a result of the larger SOC and smaller  $\Delta E_{S_n-T_m}$ .

Based on the NTO analysis,  $\Delta r$  index, and charge transfer ratio, several charge transfer dominated states are observed in the high lying excited states. The CT-dominated states create a pathway for several hot exciton-based channels in higher states. In the lowest five excited states, the energy levels of several  $S_n$  and  $T_m$  levels with dominant CT state features are discovered to be nearly close values for the potential CZ derivatives with the AZ core unit. The  $\Delta E_{S_n-T_m}$  is minimal with the sufficient



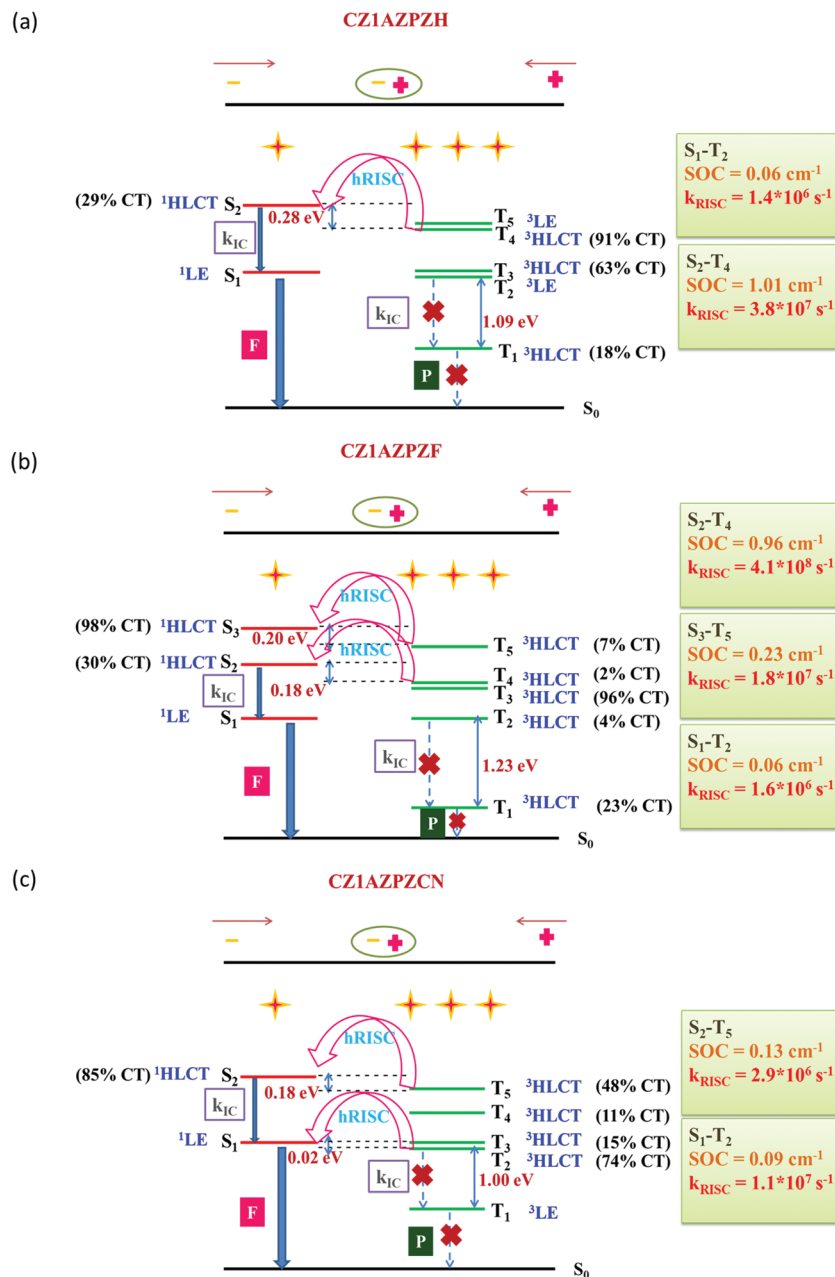


Fig. 5 Schematic depiction of a favourable hRISC process in (a) CZ1AZPZH, (b) CZ1AZPZF and (c) CZ1AZPZCN with the calculated energy levels, accompanying SOC values, and associated  $k_{\text{RISC}}$ .

separation of electron and hole wavefunctions. In the lowest five excited states, several possible SOC values between singlet and neighboring triplet states exceeded  $0.5 \text{ cm}^{-1}$ .

In the lowest five excited states of CZ1AZPZH, CZ1AZPZF, and CZ1AZPZCN, the potential channels are portrayed in Fig. 5. One could also see the possibility of multiple hot-exciton channels based on the data given in Tables S4 and S5 (ESI<sup>†</sup>). The transition properties of  $S_2$  and  $T_4$  in CZ1AZPZH are CT-dominated states, resulting in a  $\Delta E_{\text{ST}}$  of 0.28 eV. The SOC values for these states are higher ( $1.01 \text{ cm}^{-1}$ ) than those typically seen in organic compounds. The small  $\Delta E_{\text{ST}}$  and large SOC values made it possible to achieve hRISC rates of up to

$3.8 \times 10^7 \text{ s}^{-1}$ . The high-lying excited states pathways,  $S_2-T_4$  and  $S_3-T_5$  with small  $\Delta E_{\text{ST}}$  and large SOC are probable channels in the case of CZ1AZPZF. The associated RISC rates were found to be extremely high, reaching  $4.1 \times 10^8 \text{ s}^{-1}$  for the  $S_2-T_4$  route and  $1.8 \times 10^7 \text{ s}^{-1}$  for the  $S_3-T_5$  pathway. In higher excited levels, this also ensures the possibility of many hRISC based hot-exciton channels. In the case of CZ1AZPZCN, the  $S_1-T_2$  channel has a low SOC ( $0.09 \text{ cm}^{-1}$ ) but a small  $\Delta E_{\text{ST}}$  (0.02 eV) value, and the rate of hRISC from  $T_2-S_1$  are significantly lowered for this channel, dropping to  $2.9 \times 10^6 \text{ s}^{-1}$ . However,  $\Delta E_{\text{ST}} = 0.18 \text{ eV}$  and SOC =  $0.13 \text{ cm}^{-1}$  in the  $S_2-T_5$  channel contribute to a high rate of hRISC from  $T_5$  to  $S_2$ , in the order of



**Table 1** Calculated radiative ( $k_r$ ) and non-radiative ( $k_{nr}$ ) rates as well as RISC rates of potential molecules at  $\omega$ B97X/6-31G(d,p) level of theory. (in  $s^{-1}$  units)

Molecule	$k_{nr}$ ( $s^{-1}$ ) ( $S_1-S_0$ )	$k_r$ ( $s^{-1}$ ) ( $S_1-S_0$ )	$k_{RISC}$ ( $s^{-1}$ ) ( $S_n-T_m$ )
CZ1AZPZH	$1.42 \times 10^{12}$	$7.71 \times 10^6$	$3.8 \times 10^7$ ( $S_2-T_4$ )
CZ1AZPZF	$2.07 \times 10^{12}$	$3.76 \times 10^6$	$4.1 \times 10^8$ ( $S_2-T_4$ ) $1.8 \times 10^7$ ( $S_3-T_5$ )

**Table 2** Adiabatic  $S_1$  energy (eV) and corresponding wavelengths (nm) of potential hot-exciton TADF emitters

Molecules	Adiabatic $S_1$ energy (eV)	$\lambda$ (nm)
CZ1AZPZH	1.93	642
CZ1AZPZF	1.72	719
CZ1AZPZCN	1.92	644

$1.1 \times 10^7 s^{-1}$ , which is significantly quicker than the previously reported  $k_{RISC}$  range of  $10^2-10^6 s^{-1}$ .<sup>92</sup> The calculated radiative ( $k_r$ ) and non-radiative ( $k_{nr}$ ) rates are in the range of previously reported values (Table 1).<sup>92</sup>

### (v) Emission properties

In order to analyze emission characteristics, we relaxed the molecules in the lowest excited state and determined adiabatic excitation energies. All three potential molecules emit light in the red wavelength region. Because their emission energy values are in the range of 1.65 to 2 eV, implying that their emission wavelengths are greater than 620 nm. Table 2 summarizes the emission energies and the wavelengths associated with them. We compared NTOs obtained from adiabatic and vertical calculations and found that the nature of states in both cases is similar. The LE/HLCT character of these states does not differ.

## Conclusion

In summary, we designed various D- $\pi$ -A molecules to investigate the connection between electronic/photophysical properties and the molecular design of OLED emitters that take advantage of the hot-exciton route. Results obtained from  $\omega$ B97X/6-31G(d,p) calculations reveal that various characteristics (such as the high  $T_2-T_1$  spacing, singlet-triplet energy gap and SOC between related excited states) significantly impact the rates of RISC ( $k_{RISC}$ ). Three of the twelve molecules under investigation showed TADF with faster  $k_{RISC}$  rates from the higher triplet excited states. The CT/HLCT transition occurred more frequently from the higher excited state in these molecules. This allowed several RISC channels to emerge from high-lying states. We could infer from this study that the combined impact of greater  $\Delta E_{T_2-T_1}$ , smaller  $\Delta E_{S_n-T_m}$ , and larger SOC through systematic molecular structural tuning can activate the hot-exciton process in organic electroluminescent molecules. We expect that our research will serve as inspiration for the development of hot-exciton-based OLED emitters.

## Conflicts of interest

There are no conflicts to declare.

## Acknowledgements

J. M. J. thanks SRM university for the research fellowship. M. K. R thanks Department of Science and Technology (DST), New Delhi, India (DST/INSPIRE/04/2017/001393), for support of this research under a DST-INSPIRE faculty scheme.

## References

- 1 J. Wang, A. Chepelianskii, F. Gao and N. C. Greenham, *Nat. Commun.*, 2012, **3**, 1.
- 2 M. Segal, A. Baldo, J. Holmes, R. Forrest and G. Soos, *Phys. Rev. B: Condens. Matter Mater. Phys.*, 2003, **68**, 075211.
- 3 M. A. Baldo, D. F. O'Brien, M. E. Thompson and S. R. Forrest, *Phys. Rev. B: Condens. Matter Mater. Phys.*, 1999, **60**, 14422.
- 4 C. W. Tang and S. A. Vanslyke, *Appl. Phys. Lett.*, 1998, **51**, 913.
- 5 J. Kido, M. Kimura and K. Nagai, *Science*, 1995, **267**, 1332.
- 6 Z. Wu, Y. Liu, L. Yu, C. Zhao, D. Yang, X. Qiao, J. Chen, C. Yang, H. Kleemann, K. Leo and D. Ma, *Nat. Commun.*, 2019, **10**, 1.
- 7 H. Tanaka, K. Shizu, H. Miyazaki and C. Adachi, *Chem. Commun.*, 2012, **48**, 11392.
- 8 C. Duan, J. Li, C. Han, D. Ding, H. Yang, Y. Wei and H. Xu, *Chem. Mater.*, 2016, **28**, 5667.
- 9 X. Lv, W. Zhang, D. Ding, C. Han, Z. Huang, S. Xiang, Q. Zhang, H. Xu and L. Wang, *Adv. Opt. Mater.*, 2018, **6**, 1800165.
- 10 Q. Liang, C. Han, C. Duan and H. Xu, *Adv. Opt. Mater.*, 2018, **6**, 1800020.
- 11 K. Goushi, K. Yoshida, K. Sato and C. Adachi, *Nat. Photonics*, 2012, **6**, 253.
- 12 H. Uoyama, K. Goushi, K. Shizu, H. Nomura and C. Adachi, *Nature*, 2012, **492**, 234.
- 13 Y. Tao, K. Yuan, T. Chen, P. Xu, H. Li, R. Chen, C. Zheng, L. Zhang and W. Huang, *Adv. Mater.*, 2014, **26**, 7931.
- 14 Z. Yang, Z. Mao, Z. Xie, Y. Zhang, S. Liu, J. Zhao, J. Xu, Z. Chi and M. P. Aldred, *Chem. Soc. Rev.*, 2017, **46**, 915.
- 15 Y. Liu, C. Li, Z. Ren, S. Yan and M. R. Bryce, *Nat. Rev. Mater.*, 2018, **3**, 1.
- 16 M. Y. Wong, E. Zysman-Colman, M. Y. Wong and E. Zysman-Colman, *Adv. Mater.*, 2017, **29**, 1605444.
- 17 Q. Zhang, B. Li, S. Huang, H. Nomura, H. Tanaka and C. Adachi, *Nat. Photonics*, 2014, **8**, 326.
- 18 F. B. Dias, K. N. Bourdakos, V. Jankus, K. C. Moss, K. T. Kamtekar, V. Bhalla, J. Santos, M. R. Bryce and A. P. Monkman, *Adv. Mater.*, 2013, **25**, 3707.
- 19 S. Youn Lee, T. Yasuda, H. Nomura and C. Adachi, *Appl. Phys. Lett.*, 2012, **101**, 093306.
- 20 G. Méhes, H. Nomura, Q. Zhang, T. Nakagawa and C. Adachi, *Angew. Chem., Int. Ed.*, 2012, **51**, 11311.





- 21 T. Nakagawa, S. Y. Ku, K. T. Wong and C. Adachi, *Chem. Commun.*, 2012, **48**, 9580.
- 22 Q. Zhang, J. Li, K. Shizu, S. Huang, S. Hirata, H. Miyazaki and C. Adachi, *J. Am. Chem. Soc.*, 2012, **134**, 14706.
- 23 J. Lee, K. Shizu, H. Tanaka, H. Nomura, T. Yasuda and C. Adachi, *J. Mater. Chem. C*, 2013, **1**, 4599.
- 24 H. Nakanotani, K. Masui, J. Nishide, T. Shibata and C. Adachi, *Sci. Rep.*, 2013, **3**, 1.
- 25 H. Tanaka, K. Shizu, H. Nakanotani and C. Adachi, *Chem. Mater.*, 2013, **25**, 3766.
- 26 S. Wu, M. Aonuma, Q. Zhang, S. Huang, T. Nakagawa, K. Kuwabara and C. Adachi, *J. Mater. Chem. C*, 2013, **2**, 421.
- 27 D. Y. Kondakov, T. D. Pawlik, T. K. Hatwar and J. P. Spindler, *J. Appl. Phys.*, 2009, **106**, 124510.
- 28 N. A. Kukhta, T. Matulaitis, D. Volyniuk, K. Ivaniuk, P. Turyk, P. Stakhira, J. V. Grazulevicius and A. P. Monkman, *J. Phys. Chem. Lett.*, 2017, **8**, 6199.
- 29 Y. Luo and H. Aziz, *Adv. Funct. Mater.*, 2010, **20**, 1285.
- 30 Y. J. Luo, Z. Y. Lu and Y. Huang, *Chin. Chem. Lett.*, 2016, **27**, 1223.
- 31 T. N. Singh-Rachford and F. N. Castellano, *Coord. Chem. Rev.*, 2010, **254**, 2560.
- 32 W. Li, Y. Pan, R. Xiao, Q. Peng, S. Zhang, D. Ma, F. Li, F. Shen, Y. Wang, B. Yang and Y. Ma, *Adv. Funct. Mater.*, 2014, **24**, 1609.
- 33 Y. Pan, W. Li, S. Zhang, L. Yao, C. Gu, H. Xu, B. Yang and Y. Ma, *Adv. Opt. Mater.*, 2014, **2**, 510.
- 34 L. Yao, S. Zhang, R. Wang, W. Li, F. Shen, B. Yang and Y. Ma, *Angew. Chem., Int. Ed.*, 2014, **53**, 2119.
- 35 L. Yao, B. Yang and Y. Ma, *Sci. China: Chem.*, 2014, **57**, 335.
- 36 C. Lin, P. Han, S. Xiao, F. Qu, J. Yao, X. Qiao, D. Yang, Y. Dai, Q. Sun, D. Hu, A. Qin, Y. Ma, B. Z. Tang and D. Ma, *Adv. Funct. Mater.*, 2021, **2106912**, 1.
- 37 Y. Xu, X. Liang, X. Zhou, P. Yuan, J. Zhou, C. Wang, B. Li, D. Hu, X. Qiao, X. Jiang, L. Liu, S. J. Su, D. Ma and Y. Ma, *Adv. Mater.*, 2019, **31**, 1.
- 38 D. Hu, L. Yao, B. Yang and Y. Ma, *Philos. Trans. R. Soc., A*, 2015, **373**, 20140318.
- 39 Q. Wan, J. Tong, B. Zhang, Y. Li, Z. Wang and B. Z. Tang, *Adv. Opt. Mater.*, 2020, **8**, 1901520.
- 40 C. J. Chiang, A. Kimyonok, M. K. Etherington, G. C. Griffiths, V. Jankus, F. Turksoy and A. P. Monkman, *Adv. Funct. Mater.*, 2013, **23**, 739.
- 41 S. Xu, R. Chen, C. Zheng and W. Huang, *Adv. Mater.*, 2016, **28**, 9920.
- 42 W. Li, D. Liu, F. Shen, D. Ma, Z. Wang, T. Feng, Y. Xu, B. Yang and Y. Ma, *Adv. Funct. Mater.*, 2012, **22**, 2797.
- 43 S. Reindl and A. Penzkofer, *Chem. Phys.*, 1996, **211**, 431.
- 44 R. W. Redmond, I. E. Kochevar, M. Krieg, G. Smith and W. G. McGimpsey, *J. Phys. Chem. A*, 1997, **101**, 2773.
- 45 H. Fukumura, K. Kikuchi, K. Koike and H. Kokubun, *J. Photochem. Photobiol., A*, 1988, **42**, 283.
- 46 Y. Gao, S. Zhang, Y. Pan, L. Yao, H. Liu, Y. Guo, Q. Gu, B. Yang and Y. Ma, *Phys. Chem. Chem. Phys.*, 2016, **18**, 24176.
- 47 Y. Pan, J. Huang, W. Li, Y. Gao, Z. Wang, D. Yu, B. Yang and Y. Ma, *RSC Adv.*, 2017, **7**, 19576–19583.
- 48 S. Zhang, W. Li, L. Yao, Y. Pan, F. Shen, R. Xiao, B. Yang and Y. Ma, *Chem. Commun.*, 2013, **49**, 11302.
- 49 J. Yang, Q. Guo, J. Wang, Z. Ren, J. Chen, Q. Peng, D. Ma and Z. Li, *Adv. Opt. Mater.*, 2018, **6**, 1800342.
- 50 J. Jayabharathi, J. Anudeebhana, V. Thanikachalam and S. Sivaraj, *RSC Adv.*, 2020, **10**, 8866.
- 51 B. Liu, Z. W. Yu, D. He, Z. L. Zhu, J. Zheng, Y. D. Yu, W. F. Xie, Q. X. Tong and C. S. Lee, *J. Mater. Chem. C*, 2017, **5**, 5402.
- 52 X. Tang, Q. Bai, Q. Peng, Y. Gao, J. Li, Y. Liu, L. Yao, P. Lu, B. Yang and Y. Ma, *Chem. Mater.*, 2015, **27**, 7050.
- 53 W. Li, Y. Pan, L. Yao, H. Liu, S. Zhang, C. Wang, F. Shen, P. Lu, B. Yang and Y. Ma, *Adv. Opt. Mater.*, 2014, **2**, 892.
- 54 C. Wang, X. L. Li, Y. Gao, L. Wang, S. Zhang, L. Zhao, P. Lu, B. Yang, S. J. Su and Y. Ma, *Adv. Opt. Mater.*, 2017, **5**, 1700441.
- 55 L. Yao, S. Zhang, R. Wang, W. Li, F. Shen, B. Yang and Y. Ma, *Angew. Chemie*, 2014, **126**, 2151.
- 56 S. Zhang, W. Li, L. Yao, Y. Pan, F. Shen, R. Xiao, B. Yang and Y. Ma, *Chem. Commun.*, 2013, **49**, 11302.
- 57 Y. Pan, Y. Guo, M. Zhao, C. Li and B. Yang, *Mater. Adv.*, 2021, **2**, 1351.
- 58 J. Fan, L. Cai, L. Lin and C. K. Wang, *Phys. Chem. Chem. Phys.*, 2017, **19**, 29872.
- 59 X. K. Chen, S. F. Zhang, J. X. Fan and A. M. Ren, *J. Phys. Chem. C*, 2015, **119**, 9728.
- 60 J. Gibson, A. P. Monkman and T. J. Penfold, *ChemPhysChem*, 2016, **17**, 2956.
- 61 C. M. Marian, *Wiley Interdiscip. Rev.: Comput. Mol. Sci.*, 2012, **2**, 187.
- 62 P. K. Samanta, D. Kim, V. Coropceanu and J. L. Brédas, *J. Am. Chem. Soc.*, 2017, **139**, 4042.
- 63 J. L. Brédas, D. Beljonne, V. Coropceanu and J. Cornil, *Chem. Rev.*, 2004, **104**, 4971.
- 64 K. Schmidt, S. Brovelli, V. Coropceanu, D. Beljonne, J. Cornil, C. Bazzini, T. Caronna, R. Tubino, F. Meinardi, Z. Shuai and J. L. Brédas, *J. Phys. Chem. A*, 2007, **111**, 10490.
- 65 G. C. Abell and A. Mozumder, *J. Chem. Phys.*, 2003, **56**, 4058.
- 66 S. Xu, Q. Yang, Y. Wan, R. Chen, S. Wang, Y. Si, B. Yang, D. Liu, C. Zheng and W. Huang, *J. Mater. Chem. C*, 2019, **7**, 9523.
- 67 P. Hohenberg and W. Kohn, *Phys. Rev.*, 1964, **136**, B864.
- 68 J. Da Chai and M. Head-Gordon, *Phys. Chem. Chem. Phys.*, 2008, **10**, 6615.
- 69 J. Da Chai and M. Head-Gordon, *Chem. Phys. Lett.*, 2008, **467**, 176.
- 70 T. J. Penfold, *J. Phys. Chem. C*, 2015, **119**, 13535.
- 71 H. Sun, C. Zhong and J. L. Brédas, *J. Chem. Theory Comput.*, 2015, **11**, 3851.
- 72 K. Lee and D. Kim, *J. Phys. Chem. C*, 2016, **120**, 28330.
- 73 Y. Y. Pan, J. Huang, Z. M. Wang, D. W. Yu, B. Yang and Y. G. Ma, *RSC Adv.*, 2017, **7**, 26697.
- 74 R. L. Martin, *J. Chem. Phys.*, 2003, **118**, 4775.
- 75 Y. Dawei, Z. Xiaojuan, W. Zhiming, Y. Bing, M. Yuguang and P. Yuyu, *RSC Adv.*, 2018, **8**, 27979.
- 76 M. J. Frisch, G. W. Trucks, H. B. Schlegel, G. E. Scuseria, M. A. Robb, J. R. Cheeseman, G. Scalmani, V. Barone,



- G. A. Petersson, H. Nakatsuji, X. Li, M. Caricato, A. V. Marenich, J. Bloino, B. G. Janesko, R. Gomperts, B. Mennucci, H. P. Hratchian, J. V. Ortiz, A. F. Izmaylov, J. L. Sonnenberg, D. Williams-Young, F. Ding, F. Lipparini, F. Egidi, J. Goings, B. Peng, A. Petrone, T. Henderson, D. Ranasinghe, V. G. Zakrzewski, J. Gao, N. Rega, G. Zheng, W. Liang, M. Hada, M. Ehara, K. Toyota, R. Fukuda, J. Hasegawa, M. Ishida, T. Nakajima, Y. Honda, O. Kitao, H. Nakai, T. Vreven, K. Throssell, J. A. Montgomery, Jr., J. E. Peralta, F. Ogliaro, M. J. Bearpark, J. J. Heyd, E. N. Brothers, K. N. Kudin, V. N. Staroverov, T. A. Keith, R. Kobayashi, J. Normand, K. Raghavachari, A. P. Rendell, J. C. Burant, S. S. Iyengar, J. Tomasi, M. Cossi, J. M. Millam, M. Klene, C. Adamo, R. Cammi, J. W. Ochterski, R. L. Martin, K. Morokuma, O. Farkas, J. B. Foresman and D. J. Fox, *Gaussian 16, Revision C.01*, Gaussian, Inc., Wallingford CT, 2016.
- 77 T. Lu and F. Chen, *J. Comput. Chem.*, 2012, **33**, 580.
- 78 G. te Velde, F. M. Bickelhaupt, E. J. Baerends, C. Fonseca Guerra, S. J.-A. van Gisbergen, J. G. Snijders and T. Ziegler, *J. Comput. Chem.*, 2001, **22**, 931.
- 79 T. T. Huang and E. Y. Li, *Org. Electron.*, 2016, **39**, 311.
- 80 E. E. Bas, P. Ulukan, A. Monari, V. Aviyente and S. Catak, *ChemRxiv*, 2021, 1, DOI: [10.33774/chemrxiv-2021-vq9dd](https://doi.org/10.33774/chemrxiv-2021-vq9dd).
- 81 Y. Gao, X. D. Yang, S. X. Wu and Y. Geng, *Adv. Theory Simulations*, 2019, **2**, 1900076.
- 82 S. Kang, S. H. Jeon, Y. M. Cho, Y. J. Kim, T. Kim and J. Y. Lee, *Org. Electron.*, 2020, **78**, 105595.
- 83 Y. Gao, Y. Geng, Y. Wu, M. Zhang and Z. M. Su, *Dyes Pigm.*, 2017, **145**, 277.
- 84 Y. Niu, W. Li, Q. Peng, H. Geng, Y. Yi, L. Wang, G. Nan, D. Wang and Z. Shuai, *Mol. Phys.*, 2018, **116**, 1078.
- 85 Y. Li, J. Yao, C. Wang, X. Zhou, Y. Xu, M. Hanif, X. Qiu, D. Hu, D. Ma and Y. Ma, *Dyes Pigm.*, 2020, **173**, 107960.
- 86 X. K. Chen, D. Kim and J. L. Brédas, *Acc. Chem. Res.*, 2018, **51**, 2215.
- 87 G. Sun, X. H. Wang, J. Li, B. T. Yang, Y. Gao and Y. Geng, *Sci. Rep.*, 2021, **11**, 1.
- 88 T. Liu, X. Chen, J. Zhao, W. Wei, Z. Mao, W. Wu, S. Jiao, Y. Liu, Z. Yang and Z. Chi, *Chem. Sci.*, 2021, **12**, 5171.
- 89 X. Chen, D. Ma, T. Liu, Z. Chen, Z. Yang, J. Zhao, Z. Yang, Y. Zhang and Z. Chi, *CCS Chem.*, 2021, 1285.
- 90 C. Zhou, S. Xiao, M. Wang, W. Jiang, H. Liu, S. Zhang and B. Yang, *Front. Chem.*, 2019, **7**, 141.
- 91 C. A. Guido, P. Cortona, B. Mennucci and C. Adamo, *J. Chem. Theory Comput.*, 2013, **9**, 3118.
- 92 Y. Liu, Y. Yuan, X. Tian and J. Sun, *Int. J. Quantum Chem.*, 2020, **120**, 1.

