



## Integrated plug flow synthesis and crystallisation of pyrazinamide†

Cite this: *React. Chem. Eng.*, 2018, 3, 631

Received 19th May 2018,  
Accepted 3rd July 2018

DOI: 10.1039/c8re00087e

rsc.li/reaction-engineering

We report the integration of flow chemistry with plug flow crystallisation. Catalytic flow hydration of pyrazinecarbonitrile to pyrazinamide was performed in a packed bed column of MnO<sub>2</sub>. The effluent of this flow reactor was directly linked to a tri-segmented tubular crystalliser (KRAIC), providing a seamless transition from flow synthesis to crystallisation, with control over solid form and particle characteristics.

Flow chemistry and crystallisation techniques offer higher levels of control over the resultant products and routes to leaner and more efficient manufacturing.<sup>1,2</sup> Due to the difference in design needs for flow reactors for solution-based synthesis and crystallisation, the rates of production from these reactors are often incompatible. Flow chemistry achieves a high level of control and process intensification through exploiting reactors with internal diameters (IDs) of commonly of less than 2 mm in the research environment.<sup>3–5</sup> These IDs are incompatible with most crystallising solutions as they can lead to blockages as the crystallising particles form. The larger ID flow crystallisers (2.5–8 mm) that are more typical for this downstream process use alternative mechanisms to exact control over the crystallising solution which typically requires significantly higher flow rates than achievable in flow chemistry apparatus.<sup>2,6,7</sup> As a result of this, current examples of coupled flow chemistry and crystallisation have tended to employ cascade/continuous stirred tank reactors (CSTRs); these can operate at a wider

range of flow rates as mixing is not related to the flow rate but imparted through impellers.<sup>8</sup>

Crystallisation in CSTRs can enable seamless continuous operation as presented by Braatz *et al.*,<sup>9</sup> for example, but can only approach the often desired plug flow operation through an impractically long series of STRs. Nagy *et al.* recently reported the successful coupling of a microfluidic chip and air-segmented tubular crystalliser set-up for the telescoped synthesis and crystallisation of diphenylhydramine.<sup>10</sup> Due to fouling issues experienced the yield of this process was low (max. synthetic yield, 34.4%, solid yield not reported). We have developed a novel tubular flow crystallisation system that offers a potentially improved set-up for coupling to flow chemistry outputs. This employs tri-segmented flow (segmenting the solution with air and an immiscible carrier fluid).<sup>11,12</sup> This approach inherently imparts plug flow (through physical separation of solution droplets) and decouples the solution flow rate from the net flow rate, enabling a slower solution flow without cost to the mixing intensity.

We have also previously reported a mild and highly efficient flow synthesis for pyrazinamide, a compound used to treat tuberculosis (Fig. 1).<sup>13,14</sup> The reported method achieved clean conversion to the product in high chemical yields. In this communication we report the high yielding plug flow coupling of this chemistry with crystallisation techniques for the preparation and crystallisation of pyrazinamide with a residence time (RT) of 32 min 17 s. Solid form (polymorph) selectivity has also been achieved in the integrated process, a vital consideration in prospective end-to-end process design for solid state materials such as pharmaceuticals. The direct coupling of flow synthesis and crystallisation of pyrazinamide

<sup>a</sup> Centre for Sustainable Chemical Technologies, Department of Chemistry, University of Bath, UK

<sup>b</sup> Department of Chemistry, University of Cambridge, UK

<sup>c</sup> Department of Chemistry, University of Bath, UK.

E-mail: K.Robertson@bath.ac.uk

<sup>d</sup> EPSRC Future Continuous Manufacturing and Advanced Crystallisation Research Hub, University of Bath, UK

† Electronic supplementary information (ESI) available: Videos of tri-segmented slugs in the crystalliser, full experimental and analytical details are available. See DOI: 10.1039/c8re00087e

‡ Current address: Syngenta Crop Protection, Process Research, Schaffhauserstrasse 101, CH-4332, Switzerland.

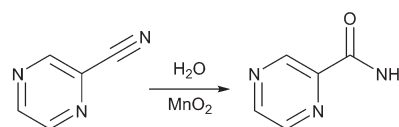


Fig. 1 Scheme of pyrazinamide synthesis through catalytic hydration of pyrazinecarbonitrile.



has resulted in a high yield of pure micro-sized product, coupled with polymorph selectivity in the solid form obtained, which is thus applicable for immediate incorporation into drug formulation.

Representations of the set-up can be seen in Fig. 2 and 3 (schematic and actual, respectively). Full experimental details are available in the ESI.† Coupling of the flow preparation of pyrazinamide from pyrazinecarbonitrile (catalytic hydration *via* a packed bed column of MnO<sub>2</sub> at 80 °C) and subsequent crystallisation was achieved through connection of the effluent of the packed bed column to the segmentation unit after the back-pressure regulator (BPR, 12 bar) as shown in Fig. 2. The three immiscible phases (solution, air and carrier fluid) were segmented in a cross-piece mixer (thru-hole, 1.25 mm) which was actively heated to maintain dissolution of the pyrazinamide. In initial experiments (hereafter termed ‘uncontrolled nucleation runs’), the tri-segmented flow then passed directly into 15 m of air-cooled 1/8" ID FEP tubing prior to separation of the carrier fluid (perfluoropolyether, Golden SV 110) and online filtration. The maximum crystal length obtained in these experiments (2.4 mm) approaches the internal diameter of the tubing and agglomeration of crystals within a slug resulted in blockages within the tubing. Subsequent experiments (hereafter referred to as ‘controlled nucleation runs’) therefore employed a 1.2 m section of tubing prior to the main crystalliser body which was cooled to 10 °C. This resulted in the formation of a greater number of nuclei than is achievable with a slower cooling gradient, minimising the resultant crystallite size and preventing blockages. Table 1 details the differences between the controlled and uncontrolled nucleation runs.

The cooling gradients achieved in the KRAIC during the crystallisation of pyrazinamide are shown in Fig. 4. In the controlled nucleation runs, the set temperature of the tubing jacket is achieved rapidly within the solution slugs (as measured internally) but the reduced heat transfer efficiency between liquid and gas<sup>15</sup> results in a higher temperature for

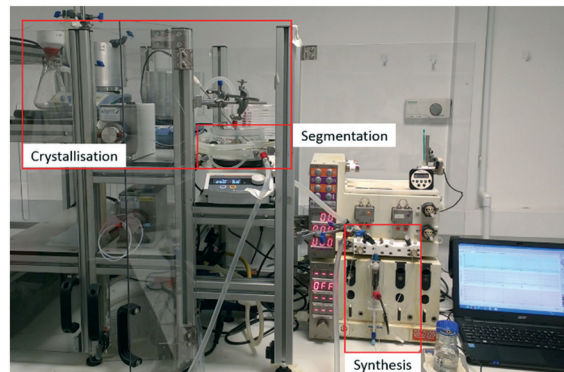


Fig. 3 View of integrated flow synthesis and crystallisation apparatus with the synthesis, segmentation and crystallisation sections highlighted.

the air slugs. As the carrier fluid creates a barrier between the solution and air slugs, this has a minimal effect on the solution slugs during active temperature control within the tubing jacket. This resulted in the promotion of nucleation and crystal growth within this region as shown in Fig. 5 (a video is available in the ESI†). After the active temperature controlled region, a rapid increase to room temperature is observed in coil 1. Coils 2 and 3 provide a cooling effect (the intensity of which reduces over length) due to heat dissipation through the heat conductive aluminium coil housing, resulting in a final temperature 1 °C below room temperature.

In the uncontrolled nucleation runs, the glass housing of coil 1 enables a steady temperature reduction after initial rapid heat loss upon emergence from active temperature control (water bath for the segmentation unit). The same heat sink effect seen for the controlled nucleation runs is seen at the start of the first aluminium coil holder, resulting in a rapid coalescence of the temperature within the uncontrolled nucleation run with respect to the controlled nucleation run.

The average slug volume was 0.075 ml (Fig. 6, see ESI† for details) with an aspect ratio of 1:1.08 (2.94 × 3.2 mm). This ensures a high expression of plug flow behaviour with excellent mixing homogeneity.

From a controlled crystallisation run, total RT of 32 min 17 s, a yield of 53% of pure pyrazinamide crystals was achieved during a 1 h run without any blocking/fouling issues. The resultant needle crystals (shown in Fig. 7) have an average particle size of 100 μm (in the major axis, 5 μm in the minor axis).

It was not possible to obtain a representative yield and RT in uncontrolled nucleation runs due to blocking issues. A faster flow rate of 9.36 ml min<sup>-1</sup> (16 min 16 s RT excl. blockage removal time) was employed to mitigate blocking with limited success. Fig. 7 shows the crystals obtained from an uncontrolled and controlled nucleation run, the average particle size (Table 1) is 10× greater for the uncontrolled nucleation runs despite the shorter crystallisation time with respect to the controlled crystallisation runs.

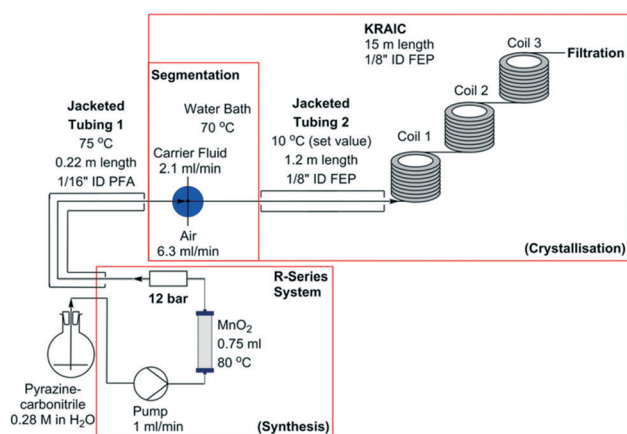
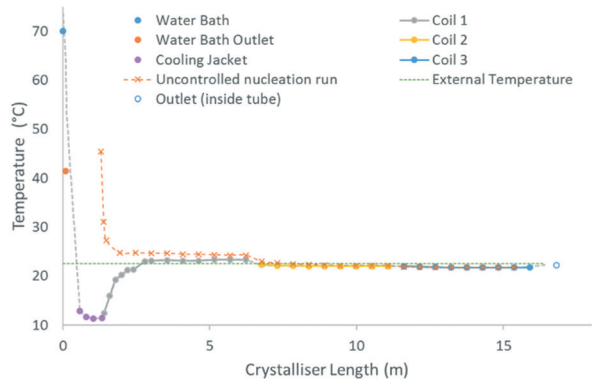


Fig. 2 Schematic representation of integrated flow synthesis and crystallisation used for pyrazinamide production. RT within synthesis section – 4 min 7 s, RT within crystallisation section 26 min 18 s (uncontrolled nucleation) or 28 min 10 s (controlled nucleation).



**Table 1** Comparison of uncontrolled and controlled nucleation integrated synthesis and crystallisation of pyrazinamide

	Uncontrolled nucleation runs	Controlled nucleation runs
Crystal size (major axis, mm)	1.02	0.1
Synthesis RT (min)	4 min 7 s	4 min 7 s
Crystallisation RT (min)	16.25	28.17
Total RT (min)	20.38	32.28
Crystallisation onset (m, min, °C)	8.69, 9.4, 19.3	0.53, 2.5, 11.4
Yield	>2%	53%



**Fig. 4** Cooling profile within the crystalliser highlighting the individual sections. *N.B.* the length scale of the uncontrolled nucleation curve has been shifted for facile comparison with the controlled nucleation curve. Measurements between 0–2.8 m were taken internally in representative runs. Measurements after 2.8 m were taken externally during crystallisation runs.

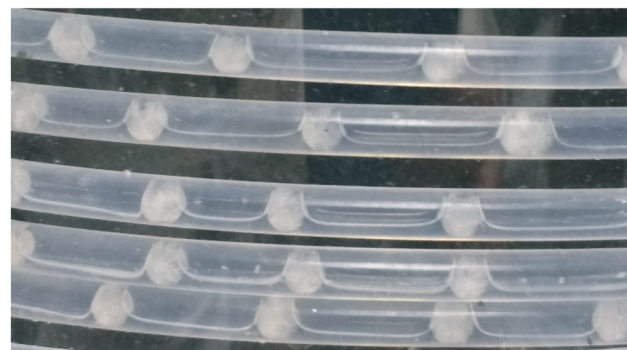
As for many molecular materials of interest in, for example, the pharmaceutical industry, pyrazinamide is polymorphic. The solid form obtained, and its selectivity, is a vital consideration for crystallisation process development within overall production process design. Pure  $\gamma$ -pyrazinamide was obtained from controlled and uncontrolled nucleation runs where blockage events were minimised (ESI;† Fig. S7 and S8). This polymorphic form is normally obtained from melt<sup>16,17</sup> or sublimation<sup>17,18</sup> crystallisation and previously reported solution-based crystallisation of pure  $\gamma$ -pyrazinamide has exclusively in-



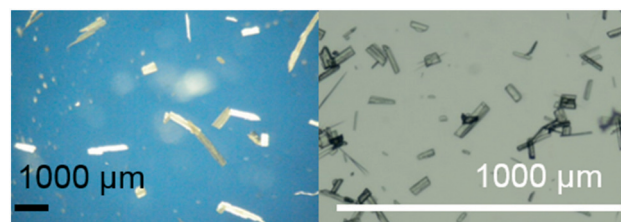
**Fig. 5** Image of crystallisation tubing within the cooling tubing jacket at the beginning of the KRAIC. Lower tube is 0.3–0.5 m crystallisation length (32–28 °C), upper tube is 0.9–1.1 m (25–23 °C). *N.B.* crystals can be seen in solution slugs within the upper tubing.

involved non-aqueous solvents/solvent mixtures.<sup>17</sup> The expected polymorphic form for a cooling crystallisation of a supersaturated aqueous solution is  $\alpha$ -pyrazinamide.<sup>18</sup> We have previously shown that the tri-segmented environment within the KRAIC crystalliser can result in the production of unexpected polymorphs.<sup>11</sup> This is a likely consequence of the fact that there are no solid–liquid boundaries present during nucleation. In uncontrolled nucleation runs where blockages were not removed prior to wall-influenced crystallisation, a mixture of  $\alpha$ - and  $\gamma$ -pyrazinamide was recovered, supporting this theory.

The system chosen here was crystallised from the same solvent system in which it was synthesised. This enabled facile coupling, however in-line extractors to change a solvent system have been developed in our labs to broaden the range of inline crystallisation capabilities.<sup>19,20</sup> Such extractors also enable the compatibility of more dilute syntheses with integrated crystallisation.



**Fig. 6** Crystals in solutions slugs in coil 1 during a controlled nucleation run.



**Fig. 7** Microscope images of pyrazinamide crystals obtained from uncontrolled nucleation (left) and controlled nucleation (right) runs.





## Conclusions

This work constitutes a novel research laboratory scale coupling of the chemical flow preparation of a drug substance pyrazinamide with integrated in-line crystallisation. By decoupling the flow synthesis and flow crystallisation flow rates, the advantages of both are maintained. Improved processing of needle crystals in flow crystallisation was achieved through controlled nucleation techniques, with control over the solid form polymorph obtained. This resulted in micro-sized particles which can be directly incorporated into formulation without further processing.

The range of milli-scale flow crystallisers, which have been developed in the last few years, is encouraging and provides a wide scope for direct integration of flow synthesis and crystallisation.<sup>21–23</sup> On the other hand, there are still limitations for integrating synthesis and crystallisation, *e.g.* microfluidic synthesis procedures may yet not be compatible with the necessarily milli-fluidic size of crystallisers designed for resultant crystals greater than *ca.* 100  $\mu\text{m}$ . As in all flow cooling crystallisation techniques, wide metastable zone widths and long induction times can be problematic. In addition to the forced cooling solution presented here, alternatives like anti-solvent crystallisation techniques<sup>24</sup> can address some of those challenges. There are still opportunities for continued development in the field, which should provide tools for engineering crystallisation and its coupling with synthesis systems.

## Conflicts of interest

The authors state that there are no conflicts to declare.

## Acknowledgements

The authors would like to acknowledge the EPSRC Centre for Doctoral Training in Sustainable Chemical Technologies (EP/L016354/1, Davidson, Scott) for funding and Miss Pollyanna Payne for her support during this work. At Cambridge we acknowledge the EPSRC (EP/K009494/1 and EP/K039520/1) for support (Ley).

## Notes and references

- 1 A. Kirschning, L. Kupracz and J. Hartwig, *Chem. Lett.*, 2012, **41**, 562–570.
- 2 A. J. Alvarez and A. S. Myerson, *Cryst. Growth Des.*, 2010, **10**, 2219–2228.
- 3 B. Musio, E. Gala and S. V. Ley, *ACS Sustainable Chem. Eng.*, 2018, **6**, 1489–1495.
- 4 D. T. McQuade and P. H. Seeberger, *J. Org. Chem.*, 2013, **78**, 6384–6389.
- 5 M. Baumann, I. R. Baxendale, P. Filippini and T. Hu, *Org. Process Res. Dev.*, 2017, **21**, 2052–2059.
- 6 T. McGlone, N. E. B. Briggs, C. A. Clark, C. J. Brown, J. Sefcik and A. J. Florence, *Org. Process Res. Dev.*, 2015, **19**, 1186–1202.
- 7 A.-T. Nguyen, Y. L. Joo and W.-S. Kim, *Cryst. Growth Des.*, 2012, **12**, 2780–2788.
- 8 K. A. Powell, A. N. Saleemi, C. D. Rielly and Z. K. Nagy, *Chem. Eng. Process.*, 2015, **97**, 195–212.
- 9 S. Mascia, P. L. Heider, H. T. Zhang, R. Lakerveld, B. Benyahia, P. I. Barton, R. D. Braatz, C. L. Cooney, J. M. B. Evans, T. F. Jamison, K. F. Jensen, A. S. Myerson and B. L. Trout, *Angew. Chem., Int. Ed.*, 2013, **52**, 12359–12363.
- 10 B. P. Loren, M. Wlekinski, A. Koswara, K. Yammine, Y. Y. Hu, Z. K. Nagy, D. H. Thompson and R. G. Cooks, *Chem. Sci.*, 2017, **8**, 4363–4370.
- 11 K. Robertson, P.-B. Flandrin, A. R. Klapwijk and C. C. Wilson, *Cryst. Growth Des.*, 2016, **16**, 4759–4764.
- 12 K. Robertson, P. B. Flandrin, H. J. Shepherd and C. C. Wilson, *Chim. Oggi*, 2017, **35**, 19–22.
- 13 C. Battilocchio, J. M. Hawkins and S. V. Ley, *Org. Lett.*, 2014, **16**, 1060–1063.
- 14 C. Battilocchio, S. H. Lau, J. M. Hawkins and S. V. Ley, *Org. Synth.*, 2017, **94**, 34–45.
- 15 P. A. Walsh, E. J. Walsh and Y. S. Muzychka, *Int. J. Heat Mass Transfer*, 2010, **53**, 3193–3201.
- 16 G. Thomas and M. C. Huffstutler, *Acta Crystallogr.*, 1961, **14**, 693–694.
- 17 S. Cherukuvada, R. Thakuria and A. Nangia, *Cryst. Growth Des.*, 2010, **10**, 3931–3941.
- 18 R. A. E. Castro, T. M. R. Maria, A. O. L. Evora, J. C. Feiteira, M. R. Silva, A. M. Beja, J. Canotilho and M. E. S. Eusebio, *Cryst. Growth Des.*, 2010, **10**, 274–282.
- 19 D. E. Fitzpatrick and S. V. Ley, *React. Chem. Eng.*, 2016, **1**, 629–635.
- 20 M. O'Brien, P. Koos, D. L. Browne and S. V. Ley, *Org. Biomol. Chem.*, 2012, **10**, 7031–7036.
- 21 M. Jiang, C. D. Papageorgiou, J. Waetzig, A. Hardy, M. Langston and R. D. Braatz, *Cryst. Growth Des.*, 2015, **15**, 2486–2492.
- 22 L. N. Ejim, S. Yerdelen, T. McGlone, I. Onyemelukwe, B. Johnston, A. J. Florence and N. M. Reis, *Chem. Eng. J.*, 2017, **308**, 669–682.
- 23 M. Romano, C. Pradere, F. Sarrazin, J. Toutain and J. C. Batsale, *Chem. Eng. J.*, 2015, **273**, 325–332.
- 24 A. Yashina, F. Meldrum and A. deMello, *Biomechanics*, 2012, **6**, 022001.

