

CrossMark
click for updatesCite this: *Chem. Sci.*, 2017, 8, 1008

On thermodynamic inconsistencies in several photosynthetic and solar cell models and how to fix them†

David Gelbwaser-Klimovsky* and Alán Aspuru-Guzik

We analyze standard theoretical models of solar energy conversion developed to study solar cells and photosynthetic systems. We show that assuming the energy transfer to the reaction center/electric circuit is through a decay rate or “sink”, contradicts the second law of thermodynamics. We put forward a thermodynamically consistent alternative by explicitly considering parts of the reaction center/electric circuit and by employing a Hamiltonian transfer. The predicted energy transfer by the new scheme differs from the one found using a decay rate, casting doubts on the validity of the conclusions obtained by models which include the latter.

Received 29th September 2016

Accepted 21st October 2016

DOI: 10.1039/c6sc04350j

www.rsc.org/chemicalscience

Light-harvesting organisms and solar cells convert thermal photons from the Sun, into useful energy such as ATP or electric power.^{1–3} Understanding and improving these processes may lead to more efficient ways to produce clean energy.⁴ These systems are effectively heat engines^{5–9} because they transform a heat flow into power (useful energy). Therefore, they are constrained by the laws of thermodynamics^{4,10–16} which set a fundamental efficiency bound based on the distinction between the two forms of energy exchange: heat flow and power. These two are not interchangeable: in a cyclic process, power may be totally converted into heat flow, but the opposite is forbidden by the second law of thermodynamics.^{7,17,18}

A key for understanding the efficiency and the power produced by solar cells and plants, is the development of microscopical models of energy absorption, transmission and storage. Recent researches have shown that effects such as environment assisted quantum transport,^{19–22} coherent nuclear motion,^{23,24} and quantum coherences,^{25–28} play an important role in the enhancement of energy conversion. The importance of some of these effects for energy transport have been experimentally proven in specific realizations such as genetically engineered excitonic networks,²⁹ waveguides networks,³⁰ Rydberg aggregates³¹ and electrical oscillators.³²

For practical computational and theoretical reasons, models have been restricted to the study of specific subsystems. It is customary to study photosynthetic complexes coupled to “traps” or “sinks” that represent the reaction center (RC) where

exciton dissociation occurs.^{19–22,32} Similar models have been employed for the study of solar cells and exciton absorption and transport.^{24–27,33,34}

Here we show that if not careful, the introduction of sinks and traps leads to violations of the second law of thermodynamics. These violations are a reason of concern for the validity of the models that have been employed to date. To shed light on the issue and to provide a simple to understand situation, we introduce a toy model to study this approximation and put forward a thermodynamically consistent version of it. This model could be used as the basis for more elaborate solar cell and plant microscopic models. Finally, we show that the output power of the thermodynamically-consistent version of the model can differ substantially from the simple trap or sink models.

Second law of thermodynamics and solar energy conversion

The standard thermodynamic models for solar energy conversion are comprised by a system, *S*, that interacts with different thermal baths and transforms the solar energy into chemical energy or electric current. Here we analyze two types of models: donor–acceptor models, where *S* is composed of four to five levels. These models have been applied for studying solar cells^{26,27} as well as photosynthetic systems,²⁵ (see Fig. 1a); a second type of models describe the celebrated Fenna–Matthews–Olson (FMO) complex models, where *S* includes seven bacteriochlorophyll, each of them described by a single energy state^{19–22,24,32–34} (see Fig. 1b). In both cases, the energy conversion process is composed of the following explicit or implicit steps: (i) *Light absorption*. The system, *S*, absorbs hot photons coming from the Sun. The temperature of the photon is

Department of Chemistry and Chemical Biology, Cambridge, MA 02138, USA. E-mail: dgelbwaser@fas.harvard.edu

† Electronic supplementary information (ESI) available: (A) Dynamic equations for standar donor–acceptor models; (B) standard FMO models; (C) detailed derivation of dynamic equations for simple models for the RC/circuit. See DOI: 10.1039/c6sc04350j



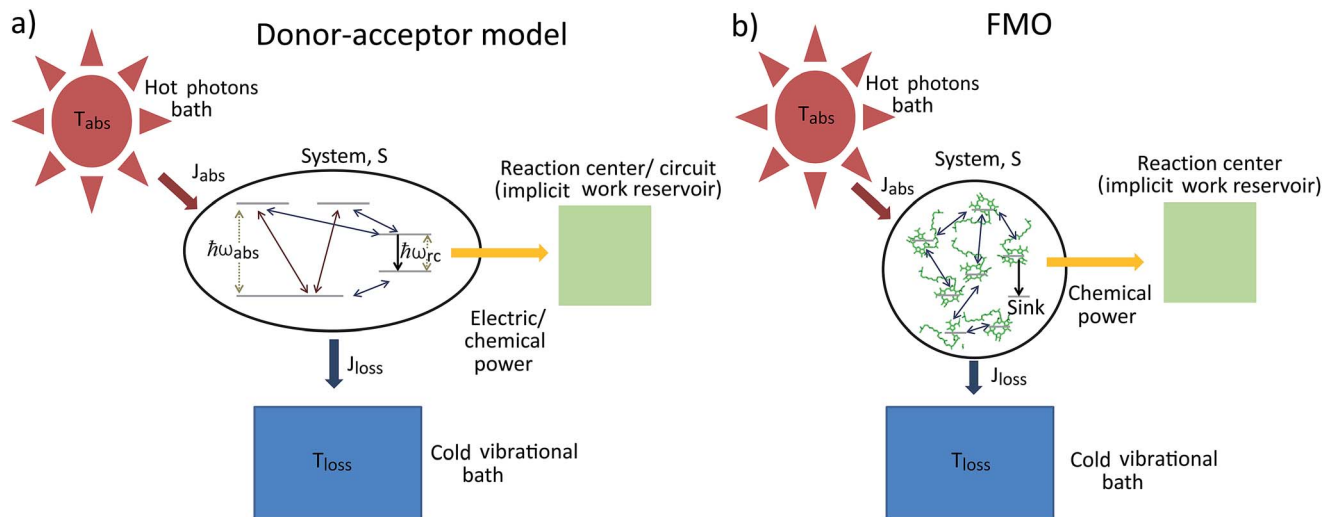


Fig. 1 Solar energy conversion models: (a) donor–acceptor model; (b) FMO model. In both cases the allowed transitions are shown only for illustration purposes and may vary between different models.

T_{abs} and J_{abs} is the heat flow between the hot photons bath and S ; (ii) *Energy transfer*. The absorbed energy is transmitted between different states of S . During this stage, some energy is lost through a heat current, J_{loss} , to a vibrational bath at room temperature T_{loss} (material photons for solar cells^{2,3} or protein modes for photosynthetic systems¹); (iii) *Power extraction*. A decay rate that represents an irreversible energy flow to an external system, work reservoir. The latter is generally not explicitly considered. For photosynthetic models, this last stage involves the decay to a sink or trap, together with an energy transfer to the RC and its subsequent transformation into chemical energy. In the case of solar cells, the energy flow produced by the decay rate is the electric power that runs through the circuit. These models are fundamentally different from the ones used on ref. 29–32, where the sink or trap is explicitly described by a Hamiltonian as we do below.

The dynamics of these systems is constrained by the second law of thermodynamics, through the entropy production inequality,^{8,35}

$$\sigma = \dot{S}(\rho_S) - \frac{J_{\text{abs}}}{T_{\text{abs}}} - \frac{J_{\text{loss}}}{T_{\text{loss}}} \geq 0, \quad (1)$$

where σ is the entropy production, ρ_S is S density matrix and \dot{S} is the derivative over time of the Von-Neumann entropy.³⁶ The heat current to the i -bath is the energy flow between S and the bath,⁸

$$J_i = \text{Tr}[\mathcal{L}_i(\rho_S)H], \quad (2)$$

where $\mathcal{L}_i(\rho_S)$ is the evolution induced by the i -bath on S or excitation rate, and H is the system Hamiltonian which is equivalent to the excitation energy. For the heat currents, as well as for the power, we use the sign convention that energy flowing to (from) S is positive (negative). Models with artificial sinks could be envisioned as systems that transfer energy to a zero-temperature bath. This could justify the addition of an

extra term on the r.h.s of eqn (1) that would allow a 100% energy conversion efficiency. Nevertheless, solar cells and plants must obey the same thermodynamic bound as a heat engine operating between thermal baths at the temperatures of the Sun and the vibrational bath, which are 6000 K and 300 K, respectively, and therefore bounded to 95%. More elaborate models predict an even lower bound.^{4,10–16}

In the case of a steady state flux of solar energy into S , the state of S on average does not change, and the second law, eqn (1), simplifies to

$$\frac{-J_{\text{loss}}}{J_{\text{abs}}} \geq \frac{T_{\text{loss}}}{T_{\text{abs}}}, \quad J_{\text{abs}} > 0; \quad \frac{-J_{\text{loss}}}{J_{\text{abs}}} \leq \frac{T_{\text{loss}}}{T_{\text{abs}}}, \quad J_{\text{abs}} < 0. \quad (3)$$

The donor/acceptor models studied in ref. 25–28, analyze the solar energy conversion at steady state. Their heat currents ratio has the form (see ESI-IA[†]):

$$\frac{-J_{\text{loss}}}{J_{\text{abs}}} = 1 - \frac{\omega_{\text{rc}}}{\omega_{\text{abs}}}, \quad (4)$$

where ω_{abs} is the energy of the absorbed photons and ω_{rc} is the energy of the excitation transferred to the RC/circuit (work reservoir) (see Fig. 1a). In all these models, the signs of the currents are independent of the parameters, $J_{\text{loss}} < 0$ and $J_{\text{abs}} > 0$ (see ESI-IA[†]).

As shown in Fig. 2a, for $1 - \frac{T_{\text{loss}}}{T_{\text{abs}}} \leq \frac{\omega_{\text{rc}}}{\omega_{\text{abs}}}$, these models violate the second law of thermodynamics. Realistic model parameters may well fall outside of this range. This does not exclude the fact that the model is both inconsistent and potentially leading to artificial results. As we show below, the power predicted by a thermodynamically consistent model differs from the simple sink or trap models.

Next, we consider the standard sink or trap models of the FMO complex,^{19–22,24,32–34,37} governed by H_{FMO} which includes the FMO sites, the vibrational bath and their interaction, as well as the transfer to the RC (see ESI-IB[†]). The latter is a decay term (see



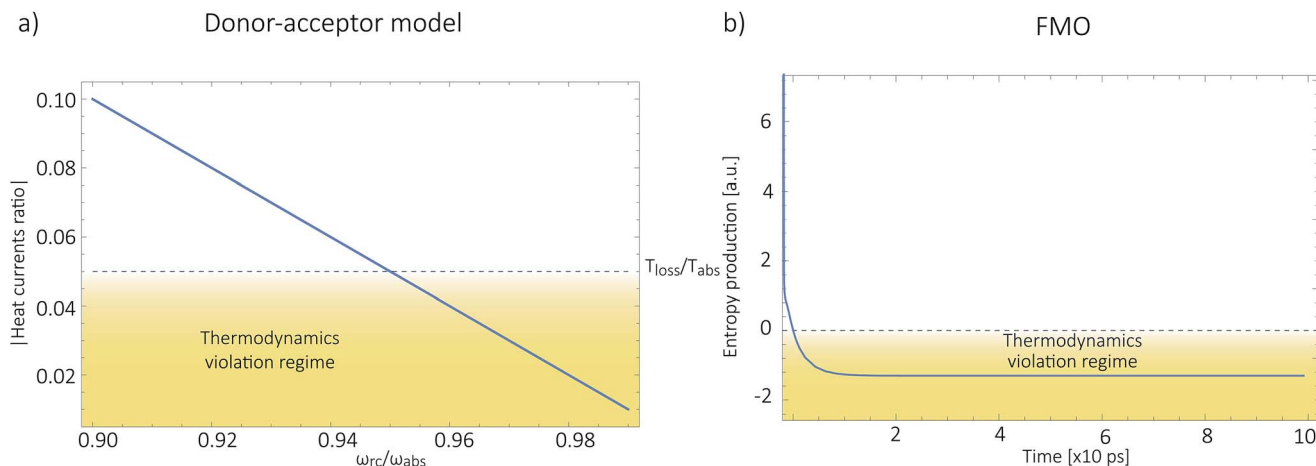


Fig. 2 (a) Absolute value of the heat currents ratio as function of frequency ratio for the steady state models in ref. 25–28; (b) entropy production as a function of time for FMO models.^{19–22,24,32–34,37} In both graphs the shaded area represents a regime forbidden by thermodynamics laws.

Fig. 1b). In order to calculate the entropy production, eqn (1), we include the antenna and the solar thermal radiation.

The antenna is composed of around $N = 10\,000$ absorbing pigments,³⁸ and we model their collective effect as an effective monochromatic antenna of frequency $\omega_{\text{ant}} = 13\,333\text{ cm}^{-1}$ or two level system (TLS), with a transition dipole moment $\mu_{\text{ant}} = \sqrt{N}\mu_{\text{ant,ind}}$, where $\mu_{\text{ant,ind}} \sim 5$ Debye, a typical value for a molecular transition dipole moment. Light absorption is governed by the antenna–radiation coupling, $H_{\text{ant-rad}} = \mu_{\text{ant}}|\text{ant}\rangle\langle 0| \otimes B_{\text{abs}} + \text{h.c.}$, where B_{abs} is an operator on the thermal radiation bath, $|\text{ant}\rangle$ is the antenna excited state and $|0\rangle$ is the ground state. h.c. stands for the Hermitian conjugate. The FMO sites also interact with the thermal radiation through the Hamiltonian, $H_{\text{FMO-rad}} = \sum_m \mu_{\text{FMO}}|m\rangle\langle 0| \otimes B_{\text{abs}} + \text{h.c.}$, where $|m\rangle$ is the excited state of the FMO m site and $\mu_{\text{FMO}} = 5.44$ Debye.³⁹

The transmission of the excitation from the antenna to the FMO is assisted by the vibrational degrees of freedom and described by

$$H_{\text{ant-FMO}} = \sum_{\xi, m \in \text{FMO}} \sqrt{\Gamma_{\text{ant-FMO}}}|m\rangle\langle \text{ant}| \otimes Q_{\xi} + \text{h.c.}, \quad (5)$$

where Q_{ξ} operates on the vibrational degrees of freedom. We assume that $\Gamma_{\text{ant-FMO}} = \Gamma_{3,8}/10$.

Collecting everything together, the total Hamiltonian is

$$H_{\text{FMO}} + H_{\text{ant}} + H_{\text{rad}} + H_{\text{ant-FMO}} + H_{\text{ant-rad}} + H_{\text{FMO-rad}}, \quad (6)$$

where $H_{\text{ant(rad)}}$ is the antenna (radiation) free Hamiltonian.

In this scenario, the dynamics outside the steady state is considered. For these models, there is not a simple analytical expression such as eqn (4), therefore we use a standard numeric simulation based on a Lindblad equation^{40–42} to calculate the dynamics governed by eqn (6) and together with eqn (2) we obtain S evolution and the heat currents $J_{\text{abs}}(J_{\text{loss}})$ between the FMO and the radiation (vibrational) baths. In Fig. 2b the entropy production, eqn (1), as function of time is presented, showing a violation of the second law of thermodynamics.

Thermodynamically-consistent model

The assumption in the trap or sink models that the energy transfer to the RC/circuit is based solely on a relaxation process, introduces an inconsistency with thermodynamics, which is independent of the trap temperature, chemical potential or if it is modeled as an absorbing boundary by a non-Hermitian Hamiltonian. As it was shown in ref. 43, the later can be reformulated as an open quantum system. Even though physically the energy flow to the RC/circuit is power, a decay rate, or an absorbing boundary, effectively represents a heat flow. This is the root of the inconsistency. Here we use a toy model to clarify this point and put forward an alternative that could serve as basis to correctly model these systems. We compare between two possible energy transfers schemes to the RC/circuit: (i) standard decay; (ii) Hamiltonian transfer.

For both schemes, S is a three level system as shown in Fig. 3. The absorption of a photon causes an excitation transfer between $|0\rangle$ and $|2\rangle$, whereas phonons are emitted by transitions from $|2\rangle$ to $|1\rangle$ to the vibrational bath. Finally, the cycle is closed by a transition between $|1\rangle$ and $|0\rangle$, and the energy difference is transferred to the RC/circuit. The S-bath Hamiltonian is $H_S + H_B + H_{\text{SB}}$, where H_B includes the photon and vibrational bath free Hamiltonian. Both baths are in thermal equilibrium at temperatures T_{abs} and T_{loss} , respectively. The S Hamiltonian is

$$H_S = \hbar\omega_{\text{abs}}|2\rangle\langle 2| + \frac{\hbar\omega_{\text{rc}}}{2}(|1\rangle\langle 1| - |0\rangle\langle 0|) \quad (7)$$

and the S-bath interaction is

$$H_{\text{SB}} = \sum_{\lambda} g_{h,\lambda}|2\rangle\langle 0|a_{\lambda} + g_{c,\lambda}|2\rangle\langle 1|b_{\lambda} + \text{h.c.}, \quad (8)$$

where $a_{\lambda}, a_{\lambda}^{\dagger}$ ($b_{\lambda}, b_{\lambda}^{\dagger}$) are the annihilation and creation operator of photons (phonons) modes.

(i) *Decay transfer.* The standard relaxation scheme is a decay rate between $|1\rangle$ and $|0\rangle$,

$$H_{\text{trans}}^{\text{Dec}} = \sqrt{\Gamma}|0\rangle\langle 1|, \quad (9)$$

where the RC/circuit is not explicitly included;



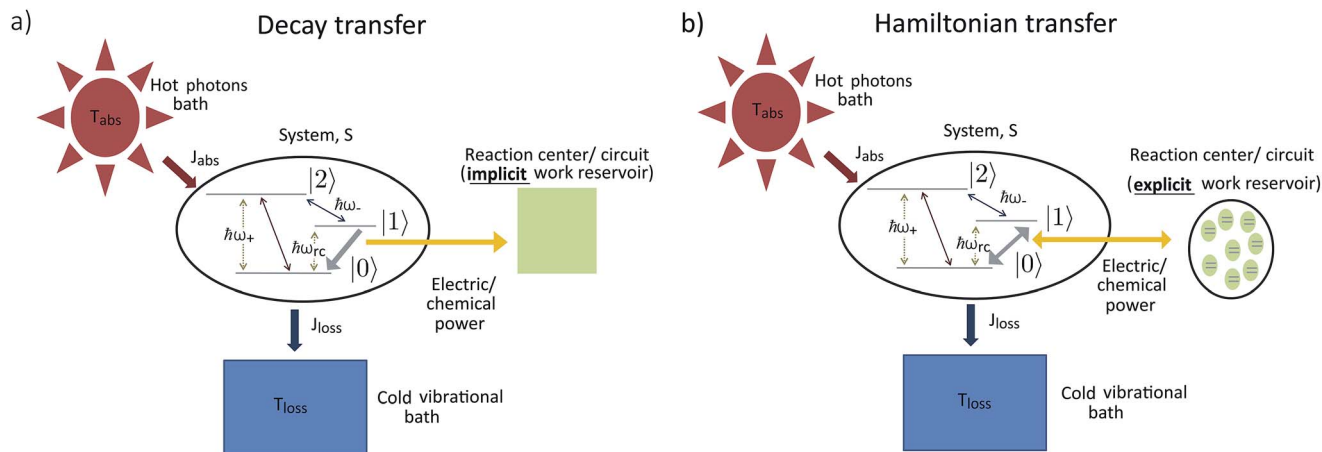


Fig. 3 A toy model used to study different energy transfer schemes: decay rate (left); Hamiltonian transfer (right).

(ii) *Hamiltonian transfer*. An alternative to the model above is to explicitly include at least part of the RC/circuit, which plays the role of the work reservoir. In photosynthetic systems, the last stage on the reaction center is the transfer of electrons to the Q_B quinone, that once full, migrates to drive the production of ATP.⁴⁴ This quinone is replaced by an empty one from a quinone pool. Inspired by this process, we construct a toy model of the work reservoir that could be a guideline for more complicated photosynthetic or solar cells models. It consists of a collection of independent and identical TLSs. Each of them represents a quinone in a photosynthetic system or an electrode site in a solar cell. The ground state corresponds to an empty quinone/site, and the excited state to a “full” quinone/site. Furthermore, we assume that there are always empty quinones/sites available to accept an electron. Thus, the number of quinones/sites, j , is always much larger than the number of electrons $c^\dagger c$, $J \gg c^\dagger c$. This assumption is equivalent to the thermodynamic limit taken in the Holstein–Primakoff procedure,^{45,46} which allows to describe the collection of quinones/sites as a single harmonic oscillator (HO). Therefore, we can write the work reservoir and transfer Hamiltonian as (see ESI-IIB†)

$$H_{\text{trans}}^{\text{Ham}} = \sqrt{T}(c|1\rangle\langle 0| + c^\dagger|0\rangle\langle 1|) + \hbar\omega_{\text{rc}}(c^\dagger c - j), \quad (10)$$

where c , c^\dagger are the annihilation and creation operators of the HO, respectively. The use of a HO as work reservoir is a common feature of self contained thermal machines and has been broadly studied in the context of quantum thermodynamics and optomechanical devices.^{17,18,47–49} The $S + \text{HO}$ Hamiltonian, eqn (7) and (10), is diagonal in a dressed state basis and takes the following form

$$H_S + H_{\text{trans}}^{\text{Ham}} = \hbar\omega_{\text{abs}}|2, n\rangle\langle 2, n| + \hbar\omega_{\text{rc}}(\tilde{c}^\dagger \tilde{c} - j) + \sum_n \frac{\hbar\omega_{\text{rc}}}{2} \left\{ \left(1 + \frac{\Omega_n}{\omega_{\text{rc}}} \right) |+, n\rangle\langle +, n| + \left(1 - \frac{\Omega_n}{\omega_{\text{rc}}} \right) |-, n\rangle\langle -, n| \right\}, \quad (11)$$

where $\tilde{c}^\dagger(\tilde{c})$ is the creation (annihilation) operator in the new basis, $\Omega_n = 2\sqrt{T(n+1)}$ and

$$\begin{aligned} |+, n\rangle &= \frac{1}{\sqrt{2}}(|1, n\rangle + |0, n+1\rangle); \\ |-, n\rangle &= \frac{1}{\sqrt{2}}(|0, n+1\rangle - |1, n\rangle), \end{aligned} \quad (12)$$

where the first index in the bras and kets refers to the three level system and the second to the HO.

In both schemes we use the standard Born–Markov approximation³⁶ and write the Lindblad equations for (see ESI-II†): (i) *Decay transfer scheme*. The three level system, whose populations are given by ρ_i where $i \in \{0, 1, 2\}$; (ii) *Hamiltonian transfer scheme*. The three level system and the HO, whose populations are given by $\rho_{i,n}$ where $i \in \{-, +, 2\}$. For both schemes, we analyze the energy transfer at the three level system steady state and assume that the zero temperature decay rates⁵⁰ of the baths are equal to the transfer rate to the RC/circuit, $\Gamma_h = \Gamma_c = \Gamma$ (see ESI-II†).

(i) *Decay transfer*. For this case the evolution equations in the interaction picture are (see ESI-IIA†)

$$\begin{aligned} \dot{\rho} &= \begin{pmatrix} \dot{\rho}_2 \\ \dot{\rho}_1 \\ \dot{\rho}_0 \end{pmatrix} = \mathcal{L}_{\text{abs}}^{\text{Dec}}(\rho) + \mathcal{L}_{\text{loss}}^{\text{Dec}}(\rho) + \mathcal{L}_{\text{rc}}^{\text{Dec}}(\rho); \\ \mathcal{L}_{\text{abs}}^{\text{Dec}}(\rho) &= \Gamma \begin{pmatrix} -\tilde{n}_{\text{abs}}\rho_2 + n_{\text{abs}}\rho_0 \\ 0 \\ -n_{\text{abs}}\rho_0 + \tilde{n}_{\text{abs}}\rho_2 \end{pmatrix}; \\ \mathcal{L}_{\text{loss}}^{\text{Dec}}(\rho) &= \Gamma \begin{pmatrix} -\tilde{n}_{\text{loss}}\rho_2 + n_{\text{loss}}\rho_1 \\ \tilde{n}_{\text{loss}}\rho_2 - n_{\text{loss}}\rho_1 \\ 0 \end{pmatrix}; \\ \mathcal{L}_{\text{rc}}^{\text{Dec}}(\rho) &= \Gamma \begin{pmatrix} 0 \\ -\rho_1 \\ \rho_1 \end{pmatrix}, \end{aligned} \quad (13)$$

where $n_{\text{abs(lost)}}$ is the photon (vibrational) bath population of mode $\omega_{\pm} = \omega_{\text{abs}} \pm \frac{\omega_{\text{rc}}}{2}$ and $\tilde{n}_{\text{abs(lost)}} = n_{\text{abs(lost)}} + 1$. The equations for the off-diagonal terms are decoupled from the populations and we assume that the off-diagonal terms are zero. The heat currents, eqn (2), at steady state are found using eqn (7) and (13),





Fig. 4 (a) Predicted power extraction for the decay (P^{Dec} , thick blue line) and the Hamiltonian (P^{Ham} , thin yellow line) transfer schemes. (b) Absolute value of the heat currents ratio (yellow thin line) for the Hamiltonian transfer scheme (top) and $J_{\text{abs}}^{\text{Ham}}$, (bottom, thick red line).

$$J_{\text{abs}}^{\text{Dec}} = \hbar\omega_+ \rho_0^{\text{ss}} \Gamma \tilde{n}_{\text{abs}} \left[e^{-\hbar\omega_+/k_{\text{B}}T_{\text{abs}}} - \frac{\rho_2^{\text{ss}}}{\rho_0^{\text{ss}}} \right] = \hbar\omega_+ \Gamma \rho_1^{\text{ss}}, \quad (14)$$

$$J_{\text{loss}}^{\text{Dec}} = \hbar\omega_- \rho_1^{\text{ss}} \Gamma \tilde{n}_{\text{loss}} \left[e^{-\hbar\omega_-/k_{\text{B}}T_{\text{loss}}} - \frac{\rho_2^{\text{ss}}}{\rho_1^{\text{ss}}} \right] = -\hbar\omega_- \Gamma \rho_1^{\text{ss}},$$

where ρ_i^{ss} are the steady state populations. They are found by setting eqn (13) to zero. The excitation rate to the RC/circuit is $\Gamma \rho_1^{\text{ss}}$, and the power is

$$P^{\text{Dec}} = -\hbar\omega_{\text{rc}} \Gamma \rho_1^{\text{ss}} < 0, \quad \rho_1^{\text{ss}} = \frac{1}{1 + 2e^{\hbar\omega_+/k_{\text{B}}T_{\text{abs}}}}. \quad (15)$$

Power is always extracted ($P^{\text{Dec}} < 0$), even if the temperatures are the same, $T_{\text{abs}} = T_{\text{loss}}$. This is in contradiction with thermodynamics, which forbids cyclic power extraction in the presence of a single temperature. In combination, the temperature independence of the heat currents ratio and the positivity of $J_{\text{abs}}^{\text{Dec}}$ (eqn (3) and (4)), provides further evidence of the violation of thermodynamics,

$$\frac{-J_{\text{loss}}^{\text{Dec}}}{J_{\text{abs}}^{\text{Dec}}} = \frac{\omega_-}{\omega_+}, \quad J_{\text{abs}}^{\text{Dec}} > 0. \quad (16)$$

For $\frac{\omega_-}{\omega_+} < \frac{T_{\text{loss}}}{T_{\text{abs}}}$ the model breaks the second law of thermodynamics, eqn (3).

(ii) *Hamiltonian transfer.* For this case the evolution equations in the interaction picture for $\rho_{2,n}$, $\rho_{+,n}$ and $\rho_{-,n}$ are (see ESI-IIB†)

$$\dot{\rho}_n = \begin{pmatrix} \dot{\rho}_{2,n} \\ \dot{\rho}_{+,n} \\ \dot{\rho}_{-,n} \end{pmatrix} = \mathcal{L}_{\text{abs},n}^{\text{Ham}}(\rho) + \mathcal{L}_{\text{loss},n}^{\text{Ham}}(\rho);$$

$$\mathcal{L}_{\text{abs},n}^{\text{Ham}}(\rho) = \frac{\Gamma}{2} \begin{pmatrix} -2\tilde{n}_{\text{abs}}\rho_{2,n} + n_{\text{abs}}(\rho_{+,n-1} + \rho_{-,n-1}) \\ -n_{\text{abs}}\rho_{+,n} + \tilde{n}_{\text{abs}}\rho_{2,n+1} \\ -n_{\text{abs}}\rho_{-,n} + \tilde{n}_{\text{abs}}\rho_{2,n+1} \end{pmatrix}; \quad (17)$$

$$\mathcal{L}_{\text{loss},n}^{\text{Ham}}(\rho) = \frac{\Gamma}{2} \begin{pmatrix} -2\tilde{n}_{\text{loss}}\rho_{2,n} + n_{\text{loss}}(\rho_{+,n} + \rho_{-,n}) \\ -n_{\text{loss}}\rho_{+,n} + \tilde{n}_{\text{loss}}\rho_{2,n} \\ -n_{\text{loss}}\rho_{-,n} + \tilde{n}_{\text{loss}}\rho_{2,n} \end{pmatrix},$$

which show a different dynamics compared to the decay transfer scheme (see eqn (13)). From eqn (17) we obtain the power extraction for the Hamiltonian transfer which differs from P^{Dec} (see ESI-IIB†),

$$P^{\text{Ham}} = -\hbar\omega_{\text{rc}} \langle \dot{n} \rangle = -\hbar\omega_{\text{rc}} \sum_{i,n} n \dot{\rho}_{i,n} = -\hbar\omega_{\text{rc}}(s - r), \quad (18)$$

$\langle \dot{n} \rangle$ is the HO population change. We have assumed an ideal case, where all the energy flow to the HO is considered as power, which just represents a maximum bound.^{17,18} The heat currents, eqn (2), at steady state are found using eqn (11) and (17),

$$J_{\text{abs}}^{\text{Ham}} = \hbar\omega_+(s - r); \quad J_{\text{loss}}^{\text{Ham}} = -\hbar\omega_-(s - r), \quad (19)$$

where $s - r = K_1(e^{-\hbar\omega_+/k_{\text{B}}T_{\text{abs}}} - e^{-\hbar\omega_-/k_{\text{B}}T_{\text{loss}}})$. K_1 is always positive and depends on the couplings to baths (see ESI-IIB†). In contrast to the decay transfer scheme, in this case power is extracted, $P^{\text{Ham}} < 0$, only for certain combination of parameters,

$$\frac{T_{\text{loss}}}{T_{\text{abs}}} < \frac{\omega_-}{\omega_+} \quad (20)$$

and power can not be extracted if both temperatures are the same. Further divergences between P^{Dec} and P^{Ham} can be seen in Fig. 4a.

Fig. 4b shows the heat currents ratio of the Hamiltonian transfer scheme, which complies with the second law of thermodynamics (see eqn (3)). The thermodynamic violation regime splits due to the $J_{\text{abs}}^{\text{Ham}}$ sign change. Although for positive $J_{\text{abs}}^{\text{Ham}}$ the absolute value of the heat currents ratio should be larger than the temperatures ratio, for negative $J_{\text{abs}}^{\text{Ham}}$ it should be smaller. The lack of sign change for $J_{\text{abs}}^{\text{Dec}}$ prevents the splitting of the thermodynamic violation regime, placing the heat currents ratio in a thermodynamically forbidden region (see Fig. 2a).

Conclusions

We have analyzed several models used for describing energy absorption and transmission both in solar cells and in photosynthetic systems, such as the FMO complex. We have shown that the use of sinks, traps or any artificial relaxation process in



order to describe the energy transfer to a further stage (the reaction center in photosynthetic systems or the electric circuit in a solar cell) introduces a contradiction with the second law of thermodynamics. This invalidates several models currently used to study solar energy conversion, casting doubts regarding their conclusions. These include the role of coherences, environment assisted quantum transport, coherent nuclear motion and the presence of quantum effects in photosynthesis, among others. We do not argue against the existence of those effects in the conversion of solar energy. But they should be verified using thermodynamically consistent models.

We have further proposed how to correctly analyze these systems. We show this in a thermodynamically consistent toy model that explicitly describes parts of the RC/circuit and uses a Hamiltonian term to describe the energy transfer instead of a decay rate. The predicted transmitted energy greatly differs between these two alternatives (see Fig. 4a), highlighting the need to review the conclusions derived by thermodynamically inconsistent models.

Acknowledgements

We acknowledge Robert Alicki and Doran Bennett for useful discussions. We acknowledge the support from the Center for Excitonics, an Energy Frontier Research Center funded by the U.S. Department of Energy under award DE-SC0001088 (Solar energy conversion process). D. G.-K. also acknowledges the support of the CONACYT (Quantum thermodynamics).

References

- 1 R. E. Blankenship, *Molecular mechanisms of photosynthesis*, John Wiley & Sons, 2013.
- 2 J. Nelson, *The physics of solar cells*, World Scientific, 2003, vol. 1.
- 3 P. Würfel and U. Würfel, *Physics of solar cells: from basic principles to advanced concepts*, John Wiley & Sons, 2009.
- 4 R. E. Blankenship, D. M. Tiede, J. Barber, G. W. Brudvig, G. Fleming, M. Ghirardi, M. Gunner, W. Junge, D. M. Kramer, A. Melis, *et al.*, *Science*, 2011, **332**, 805–809.
- 5 R. Alicki, D. Gelbwaser-Klimovsky and K. Szczygielski, *J. Phys. A: Math. Theor.*, 2016, **49**, 015002.
- 6 M. Einax and A. Nitzan, *J. Phys. Chem. C*, 2014, **118**, 27226–27234.
- 7 D. Kondepudi and I. Prigogine, *Modern thermodynamics: from heat engines to dissipative structures*, John Wiley & Sons, 2014.
- 8 D. Gelbwaser-Klimovsky, W. Niedenzu and G. Kurizki, *Adv. At., Mol., Opt. Phys.*, 2015, **64**, 329.
- 9 R. Kosloff, *Entropy*, 2013, **15**, 2100–2128.
- 10 W. Shockley and H. J. Queisser, *J. Appl. Phys.*, 1961, **32**, 510–519.
- 11 P. Landsberg and G. Tonge, *J. Appl. Phys.*, 1980, **51**, R1–R20.
- 12 R. S. Knox and W. W. Parson, *Biochim. Biophys. Acta, Bioenerg.*, 2007, **1767**, 1189–1193.
- 13 R. S. Knox, *Biophys. J.*, 1969, **9**, 1351.
- 14 W. W. Parson, *Photochem. Photobiol.*, 1978, **28**, 389–393.
- 15 R. T. Ross and M. Calvin, *Biophys. J.*, 1967, **7**, 595.
- 16 R. Alicki and D. Gelbwaser-Klimovsky, *New. J. Phys.*, 2015, **17**, 115012.
- 17 D. Gelbwaser-Klimovsky, R. Alicki and G. Kurizki, *EPL*, 2013, **103**, 60005.
- 18 D. Gelbwaser-Klimovsky and G. Kurizki, *Phys. Rev. E: Stat., Nonlinear, Soft Matter Phys.*, 2014, **90**, 022102.
- 19 M. Mohseni, P. Rebentrost, S. Lloyd and A. Aspuru-Guzik, *J. Chem. Phys.*, 2008, **129**, 174106.
- 20 P. Rebentrost, M. Mohseni, I. Kassal, S. Lloyd and A. Aspuru-Guzik, *New. J. Phys.*, 2009, **11**, 033003.
- 21 M. B. Plenio and S. F. Huelga, *New. J. Phys.*, 2008, **10**, 113019.
- 22 Y. Dubi, *J. Phys. Chem. C*, 2015, **119**, 25252–25259.
- 23 V. I. Novoderezhkin, A. G. Yakovlev, R. Van Grondelle and V. A. Shuvalov, *J. Phys. Chem. B*, 2004, **108**, 7445–7457.
- 24 N. Killoran, S. F. Huelga and M. B. Plenio, 2014, arXiv preprint arXiv:1412.4136.
- 25 K. E. Dorfman, D. V. Voronine, S. Mukamel and M. O. Scully, *Proc. Natl. Acad. Sci. U. S. A.*, 2013, **110**, 2746–2751.
- 26 M. O. Scully, K. R. Chapin, K. E. Dorfman, M. B. Kim and A. Svidzinsky, *Proc. Natl. Acad. Sci. U. S. A.*, 2011, **108**, 15097–15100.
- 27 C. Creatore, M. Parker, S. Emmott and A. Chin, *Phys. Rev. Lett.*, 2013, **111**, 253601.
- 28 F. Fassioli, A. Nazir and A. Olaya-Castro, *J. Phys. Chem. Lett.*, 2010, **1**, 2139–2143.
- 29 H. Park, N. Heldman, P. Rebentrost, L. Abbondanza, A. Iagatti, A. Alessi, B. Patrizi, M. Salvalaggio, L. Bussotti, M. Mohseni, *et al.*, *Nat. Mater.*, 2016, **15**, 211–216.
- 30 D. N. Biggerstaff, R. Heilmann, A. A. Zecevik, M. Gräfe, M. A. Broome, A. Fedrizzi, S. Nolte, A. Szameit, A. G. White and I. Kassal, *Nat. Commun.*, 2016, **7**, 11282.
- 31 D. Schönleber, A. Eisfeld, M. Genkin, S. Whitlock and S. Wüster, *Phys. Rev. Lett.*, 2015, **114**, 123005.
- 32 R. d. J. León-Montiel, M. A. Quiroz-Juárez, R. Quintero-Torres, J. L. Domínguez-Juárez, H. M. Moya-Cessa, J. P. Torres and J. L. Aragón, *Sci. Rep.*, 2015, **5**, 17339.
- 33 F. H. Alharbi and S. Kais, *Renewable Sustainable Energy Rev.*, 2015, **43**, 1073–1089.
- 34 J. Cao and R. J. Silbey, *J. Phys. Chem. A*, 2009, **113**, 13825–13838.
- 35 H. Spohn, *J. Math. Phys.*, 1978, **19**, 1227–1230.
- 36 H.-P. Breuer and F. Petruccione, *The theory of open quantum systems*, Oxford university press, 2002.
- 37 F. Caruso, A. W. Chin, A. Datta, S. F. Huelga and M. B. Plenio, *J. Chem. Phys.*, 2009, **131**, 105106.
- 38 S. Valteau, S. K. Saikin, D. Ansari-Oghol-Beig, M. Rostami, H. Mossallaei and A. Aspuru-Guzik, *ACS Nano*, 2014, **8**, 3884–3894.
- 39 J. Adolphs and T. Renger, *Biophys. J.*, 2006, **91**, 2778–2797.
- 40 E. B. Davies, *Commun. Math. Phys.*, 1974, **39**, 91–110.
- 41 V. Gorini, A. Kossakowski and E. C. G. Sudarshan, *J. Math. Phys.*, 1976, **17**, 821–825.
- 42 G. Lindblad, *Commun. Math. Phys.*, 1976, **48**, 119–130.
- 43 S. Selstø and S. Kvaal, *J. Phys. B: At., Mol. Opt. Phys.*, 2010, **43**, 065004.
- 44 M. Jones, *Biochem. Soc. Trans.*, 2009, **37**, 400.
- 45 T. Holstein and H. Primakoff, *Phys. Rev.*, 1940, **58**, 1098.



- 46 C. Emary and T. Brandes, *Phys. Rev. A*, 2004, **69**, 053804.
- 47 A. Mari, A. Farace and V. Giovannetti, *J. Phys. B: At., Mol. Opt. Phys.*, 2015, **48**, 175501.
- 48 A. Levy, L. Diósi and R. Kosloff, *Phys. Rev. A*, 2016, **93**, 052119.
- 49 M. Bathaee and A. Bahrampour, *Phys. Rev. E*, 2016, **94**, 022141.
- 50 G. Gordon, G. Bensky, D. Gelbwaser-Klimovsky, D. B. Rao, N. Erez and G. Kurizki, *New. J. Phys.*, 2009, **11**, 123025.

