

Cite this: *RSC Sustainability*, 2025, 3, 757

# Electrification of fertilizer production *via* plasma-based nitrogen fixation: a tutorial on fundamentals

Mikhail Gromov,<sup>ID \*ab</sup> Yury Gorbanev,<sup>ID cd</sup> Elise Vervloessem,<sup>ID c</sup> Rino Morent,<sup>a</sup> Rony Snyders,<sup>ef</sup> Nathalie De Geyter,<sup>ID a</sup> Annemie Bogaerts<sup>ID cd</sup> and Anton Nikiforov<sup>a</sup>

Nitrogen-containing fertilizers are key chemicals for our population, ensuring the constantly growing demands in food production. Fertilizers promote vegetative growth, specifically through the formation of amino acids, the building blocks of proteins. However, the current synthesis method relies on the Haber–Bosch process for ammonia synthesis, one of the largest-volume chemicals made globally, having a significant environmental impact. The need for a sustainable and green industry with low CO<sub>2</sub> emission triggers the demand to reconsider the current fertilizer production approach. In this context, electrified, local, small-scale production emerges as a promising option to address current environmental and economic challenges. This approach allows production to be consumer-oriented while adhering to environmental regulations. In light of this, non-equilibrium plasma technology has gained a wave of attention. Plasma-based nitrogen fixation has a long history, starting more than a century ago. It was one of the first nitrogen fixation methods invented and later replaced by more energy-efficient technologies. In the current paradigm, this approach can fulfill all industrial and social demands: it perfectly aligns with non-stable renewable energy, is carbon-neutral, relatively simple to maintain, and can provide a valuable source of fixed nitrogen on a small-scale, on-farm production with complete control over land processing. The plethora of existing publications on plasma-based nitrogen fixation addresses the concept of synthesizing nitrogen-containing fertilizers. However, despite significant advancements in the field and the availability of numerous reviews, they tend to focus on specific aspects, such as plasma physics (e.g., the role of vibration excitation), plasma-initiated chemistry (e.g., nitrogen oxidation or reduction), or reactor design. This tutorial review aims to bridge these gaps by presenting an integrated and accessible explanation of the interconnections between different aspects affecting plasma-based nitrogen fixation. It is designed both for newcomers to the field and those who want to broaden their knowledge, highlighting the current state-of-the-art and offering insights into future research directions and implementations.

Received 19th November 2024  
Accepted 29th December 2024

DOI: 10.1039/d4su00726c

rsc.li/rscsus

## Sustainability spotlight

Plasma technology presents an attractive alternative for converting N<sub>2</sub> into nitrogen-based fertilizers in a manner that aligns with current sustainability goals. However, this necessitates a reconsideration of the existing soil fertilization paradigm: a pivot from large-scale centralized production to on-site direct synthesis. Although challenging, this can bring immense collective benefits. In this approach, valuable nitrogen species (NO<sub>3</sub><sup>-</sup> and/or NH<sub>4</sub><sup>+</sup>) do not require separation or recycling, thereby reducing associated energy costs. Instead, they can be synthesized directly from inexpensive feedstock (air) using plasma oxidation or reduction processes, and applied shortly thereafter. Our work emphasizes the importance of the following UN sustainable development goals: zero hunger (SDG 2); industry, innovation and infrastructure (SDG 9), climate action (SDG 13).

## 1 Introduction

The challenge of sustainable nitrogen fixation has garnered increasing attention in the context of mitigating climate change and achieving global food security. Plasma-based nitrogen fixation (NF), leveraging non-thermal plasma technologies, offers a promising alternative to conventional processes like the Haber–Bosch process. Plasma NF has the potential to decentralize fertilizer production, reduce greenhouse gas emissions, and utilize renewable energy sources.

<sup>a</sup>Research Unit Plasma Technology (RUPT), Department of Applied Physics, Ghent University, 9000 Ghent, Belgium. E-mail: mikhail.gromov@ugent.be

<sup>b</sup>Leibniz Institute for Plasma Science and Technology (INP), 17489 Greifswald, Germany

<sup>c</sup>Research Group PLASMANT, Department of Chemistry, University of Antwerp, 2610 Wilrijk, Belgium

<sup>d</sup>Electrification Institute, University of Antwerp, 2020 Antwerp, Belgium

<sup>e</sup>Chimie des Interactions Plasma-Surface (CHIPS), CIRMAP, University of Mons, 7000 Mons, Belgium

<sup>f</sup>Materia Nova Research Centre, Parc Initialis, 7000 Mons, Belgium



This tutorial is designed to serve as a learning resource for those who are new to the field of plasma-based nitrogen fixation or wish to broaden their understanding of its fundamentals. It aims to provide a comprehensive overview of the key process aspects, including the basics of plasma phenomena and plasma-initiated chemistry in different feedstock atmospheres, and, more importantly, to illustrate the interconnections between various process parameters. By synthesizing knowledge from various plasma-related disciplines with state-of-the-art examples, this review seeks to create a cohesive narrative explaining how plasma technologies can contribute to the nitrogen fixation and fertilizers industry.

The primary audience for this review includes:

- Graduate students and early-career researchers entering the field of plasma-based technologies or green chemistry.
- Industry professionals and engineers exploring sustainable nitrogen fixation alternatives for local or small-scale applications.
- Policymakers and educators interested in understanding the potential of plasma-based systems for environmental and economic benefits.

Structure of the tutorial.

To achieve its objectives, the tutorial is organized into the following sections:

(1) Nitrogen fixation and electrification of the chemical industry: a brief overview of nitrogen fixation methods, from the Haber–Bosch process to modern plasma-based approaches.

(2) Fundamentals of plasma and plasma-based nitrogen fixation: this section explains the basics of plasma-initiated kinetics, the generation of reactive species, and the vibrational ladder-climbing phenomenon that makes non-thermal plasma so chemically attractive.

(3) Plasma nitrogen fixation: chemistry: an overview of the state-of-the-art  $N_2$  oxidation and  $N_2$  reduction processes, focusing on underlying chemical mechanisms in different plasma systems.

(4) From plasma nitrogen fixation to  $NH_4NO_3$  fertilizer: based on insights into nitrogen fixation fundamentals, this section proposes and discusses a conceptual process to convert atmospheric  $N_2$  into ready-to-use fertilizer.

(5) Conclusion and outlook: a summary of progress in plasma-based nitrogen fixation to date, with possible future research directions outlined.

Through this structured approach, the review aims to bridge existing knowledge gaps and inspire further innovation in plasma-based nitrogen fixation.

## 2 Nitrogen fixation and electrification of the chemical industry

### 2.1 Nitrogen fixation in nature

Nitrogen (N), phosphorus (P), and potassium (K) are essential elements for plant growth and the foundation of modern soil fertilization. Nitrogen, a vital component of all living organisms, forms the structural basis of life.<sup>1</sup> For plants, it supports chlorophyll formation, which is crucial for photosynthesis, and

plays a key role in amino acid and protein synthesis. Nitrogen deficiency slows growth and destroys chlorophyll, while excess weakens plants' resistance to diseases. Phosphorus drives energy storage, photosynthesis, and respiration, while potassium regulates water balance, strengthens cell walls, and enhances stress resistance. Together, phosphorus and potassium stimulate the synthesis of nitrogen-based biopolymers and improve water retention, optimizing resource use. These elements collectively ensure energy balance, cellular stability, and plant productivity, boosting resilience to adverse conditions. Therefore, nitrogen, phosphorus, and potassium are all equally important for efficient crop growth.<sup>2</sup> Potassium is mined as potassium chloride, and phosphate is derived from phosphate rock, both of which undergo refinement and manufacturing. In contrast, nitrogen, comprising about 78% of the atmosphere, is converted into fertilizer through fixation *via* reduction or oxidation.

The only source of N for plants is from molecular nitrogen in air that is first required to be activated through:

- $N_2$  oxidation into  $(H)NO_x$
- $N_2$  reduction into  $NH_3$ .<sup>3</sup>

To some extent, this process of nitrogen fixation (NF) occurs in nature *via* abiotic (lightning) and biotic processes (fixation by aquatic and non-aquatic microorganisms), thus providing the basis for the growth of crops as a food source.<sup>4–6</sup>

### 2.2 The current landscape of artificial nitrogen fixation

The increasing food demands due to the ever-growing human population require more fixed  $N_2$  than nature supplies. For this reason, the soil has to be supplemented with additional nitrogen, originating initially from natural sources (*e.g.*, organic waste or planting  $N_2$  fixing legumes<sup>7</sup>) and further from synthetic fertilizers.<sup>3</sup> Currently, synthetic fertilizers used to grow crops as a direct feedstock, as well as food for sustaining livestock, are estimated to sustain half of the planet's population.<sup>7</sup>

The thermo-catalytic Haber–Bosch (HB) process for nitrogen fixation into ammonia ( $NH_3$ ), commercialized in 1913, is one of the main industrial chemical processes that has been frequently described as the major reason for the rapidly growing human population during the last century.<sup>8,9</sup>  $NH_3$  is synthesized from  $N_2$  and  $H_2$  gases (R1.1) in the presence of a catalyst (Fe, Ru). Natural gas is typically used as the  $H_2$  source for  $NH_3$  and as the source of energy to create the high pressure (200–300 atm) and temperature (>700 K) required for the synthesis. In the next step, the produced gas is cooled down, compressed, and condensed, yielding liquid  $NH_3$  as the final product.<sup>10</sup> Although the diverse  $NH_3$  applications span from textile and plastics production to pharmaceuticals and automotive industry, up to 80% of the globally produced  $NH_3$  *via* the HB process is used for the production of fertilizers.<sup>3</sup>

$NH_3$  itself is not a direct agricultural fertilizer but serves as a vital component in the production of various fertilizers, including ammonium salts. Ammonium nitrate ( $NH_4NO_3$ ) stands out as the most widely used. Nitric acid ( $HNO_3$ ), also necessary to synthesize  $NH_4NO_3$ , ranks among the world's 15 largest commodity chemicals.<sup>11</sup> It is manufactured through the



Ostwald process, which involves the catalytic oxidation of  $\text{NH}_3$ , prepared *via* the HB process, and further steps involving  $\text{NO}_x$ , as summarized in global reactions (R1.2)–(R1.6).<sup>12</sup>



Therefore, the production of  $\text{HNO}_3$  is directly limited by  $\text{NH}_3$  synthesis through the HB process.

### 2.3 Drivers of change in the nitrogen fixation industry

In the current stage, almost 50% of food production and consumption depends on a single chemical process, which is HB. The tremendous production volume triggers many harmful consequences. The process requires nearly 2% of the total energy produced worldwide, 3–5% of the globally extracted natural gas, and emits >400 Mt of  $\text{CO}_2$  annually<sup>13</sup> – more than a quarter of the total chemical industry emissions.<sup>4,14,15</sup> Although modern HB plants convert part of the  $\text{CO}_2$  (150 Mt per year) into urea ammonium nitrate (UAN), which is also used as fertilizer, this still cannot offset the carbon emission.<sup>16</sup> Other strategies to reduce  $\text{CO}_2$  emissions include full or partial process electrification, such as decarbonizing the hydrogen source (produced electrolytically from water) and utilizing renewable energy to power the HB process.<sup>16</sup> However, it's worth noting that the energy cost of  $\text{NH}_3$  produced in such electrified HB processes is almost 1.5 times higher than that of traditional fossil fuel-based processes.<sup>16–18</sup> Nevertheless, despite the rise of

renewable energy, current HB plants, due to their high inertia, cannot accommodate the intermittency of fluctuating energy sources, such as wind and solar.<sup>19</sup>

Because of the highly energy-intensive conditions required for the HB process operation and its heavy reliance on  $\text{CH}_4$ , HB becomes economically feasible only on large industrial scales in regions with established natural gas supplies.<sup>20</sup> This results in massive centralized production, subsequent costly distribution of the produced  $\text{NH}_3$ , as shown in Fig. 1a, and a large dependency on price volatility in the energy market. Furthermore, the distribution of  $\text{NH}_4\text{NO}_3$  produced *via* the combined HB-Ostwald process is often done in the most economically feasible form, *i.e.*, as a dry solid salt, whose explosive properties resulted in multiple lethal accidents during transportation and storage in the last decade alone.<sup>21</sup> The recent geopolitical events also showed that an unstable supply of  $\text{CH}_4$  (to be used for fertilizers production in a specific region) and the ready-made fertilizers delivery (into a country) create an unsustainable network with unpredictable performance.<sup>22–24</sup> Nonetheless, it has to be acknowledged that due to the extremely extensive optimization of HB for over a century of its existence, the energy cost (EC) of the HB-produced  $\text{NH}_3$  is a meager  $0.48 \text{ MJ mol}^{-1}$  ( $0.70 \text{ MJ mol}^{-1}$  for electrified HB), which corresponds to a theoretical minimum obtainable with the employed pathway of NF.<sup>16,17,25</sup>

Finally, one more important point motivating the change in the paradigm of the current NF industry is that, at present, more than 50% of the applied N in the form of fertilizer is lost to the atmosphere and water streams,<sup>19,26</sup> damaging aquatic organisms and causing air pollution.<sup>27,28</sup>

### 2.4 Nitrogen fixation *via* electrified plasma technology

To this extent, we can summarize that a future alternative should be independent of rare resources and has to be carbon-neutral to address the current ecological crisis. In line with this goal, significant efforts are directed toward developing alternatives to industrial-scale NF due to its associated challenges,



Fig. 1 Schematic representation of the fertilizer production and delivery chain for HB-based (a) and plasma-based (b)  $\text{NH}_4\text{NO}_3$ . The plasma-based route used as an example here involves electrocatalytic reduction as one step to directly obtain an aqueous solution of  $\text{NH}_4\text{NO}_3$ .



which are expected to worsen with increasing demand. These alternatives include complementary NF processes, such as enzyme-based, plasma-based, and (electro-)catalytic methods using both heterogeneous and homogeneous catalysts.<sup>5,29–32</sup> Among these technologies, the plasma-based NF approach stands out due to the following advantages, which are also schematically depicted in Fig. 1b:

- Plasma or electrical discharge allows the direct conversion of electrical energy into gas-phase chemical products.
- Plasma is a plug-and-play technology, making it fully compatible with renewable energy sources that fluctuate over time.<sup>17,33,34</sup>
- Theoretical estimations suggest plasma NF can be less energy-intensive than the HB process: the minimum theoretical energy cost of plasma-based NF is estimated at only 0.2 MJ mol<sup>-1</sup> (discussed in detail in the following sections).<sup>35</sup>
- Plasma enables on-site fertilizer production, potentially reducing nutrient loss and ammonia pollution by up to 25%.<sup>36</sup>

Therefore, plasma technology can provide a sustainable and eco-friendly small-scale process that is compatible with renewable energy sources, completely fossil fuel-free, and carbon-free. It fulfils requirements for producing fertilizers directly on-site where they will be used and in amounts they are needed. It is important to note that this approach does not seek to completely copy the performance metrics of HB (*e.g.*, to reach its EC values). Instead, a completely decentralized alternative, which eliminates all need for distribution, is very sought-after.

Nowadays, two of the most used N-containing fertilizers are urea (CO(NH<sub>2</sub>)<sub>2</sub>) and ammonium nitrate (NH<sub>4</sub>NO<sub>3</sub>) because of their high nitrogen content (46 and 34% by weight, respectively), cost-effectiveness, and high solubility in water. The major differences between them, from application point of view, are related to their handling, characteristics, and timing of nitrogen release. NH<sub>4</sub>NO<sub>3</sub> requires more attention for storage and transport due to its hygroscopic properties, *i.e.*, the ability to absorb atmospheric moisture. Nitrogen release to plants undergoes hydrolysis, and in the case of CO(NH<sub>2</sub>)<sub>2</sub>, it converts to ammonium (NH<sub>4</sub><sup>+</sup>) and bicarbonate ions, while NH<sub>4</sub>NO<sub>3</sub> provides nitrogen in two forms of NH<sub>4</sub><sup>+</sup> and NO<sub>3</sub><sup>-</sup>. This affects the timing of their application due to the different uptake mechanisms of NO<sub>3</sub><sup>-</sup> and NH<sub>4</sub><sup>+</sup> ions by plants. CO(NH<sub>2</sub>)<sub>2</sub> is applied during rain or irrigation to assist the movement of nitrogen into the soil. NH<sub>4</sub><sup>+</sup> is retained in the soil, but nitrogen losses can occur due to NH<sub>3</sub> gas volatilization. However, NH<sub>4</sub>NO<sub>3</sub> can be applied at any time. NO<sub>3</sub><sup>-</sup> is readily available to plants, and NH<sub>4</sub><sup>+</sup> is retained in the soil and slowly consumed.

The most effort has been made in the plasma community towards either nitrates or ammonia production, whereas urea (and UAN) is much less addressed. One of the reasons is that the biological cycle of urea results in CO<sub>2</sub> emission, which makes it environmentally a lot less attractive and compromises the global challenge of reducing CO<sub>2</sub> emissions from the agricultural sector. This brings us to the concept of plasma-based NF into NO<sub>x</sub> and NH<sub>3</sub>, and ultimately into a fertilizer – NH<sub>4</sub>NO<sub>3</sub>.

The plasma-based NF approach has yielded numerous publications and reviews with various degrees of detailization.<sup>29,37–43</sup> However, an easily accessible, up-to-date

overview of plasma-based NF processes towards fertilizers, which could serve as a tutorial, has not been available so far. Therefore, this work aims to fill this knowledge gap, especially for those who are new in the field, underlying what is already well-understood and established, as well as guiding towards new, promising research directions.

### 3 Fundamentals of plasma and plasma-based nitrogen fixation

This section provides an overview of plasma's key metrics and explores the unique characteristics that make plasma a powerful driver of non-conventional chemistry. The section begins with the definition of plasma and the fundamental principles behind plasma generation. The discussion then moves to the classification of different plasma types, emphasizing their distinct properties. Key elementary processes that underpin plasma chemistry are introduced, followed by an analysis of its advantages and limitations in industrial and scientific applications. This foundation sets the stage for understanding plasma's role in NF.

#### 3.1 Basics of electrical discharges known as plasma

Irving Langmuir first introduced the term plasma in his article published in the Proceedings of the National Academy of Sciences in 1928.<sup>44</sup> Plasma is a quasi-neutral, ionized gas consisting of electrons, ions, photons, and neutrals in the ground and excited states. Plasma is referred to as the fourth state of matter due to its abundant presence in nature (>99% of the visible universe is plasma). In laboratory conditions, plasma can be generated in any gas by different means of providing energy to ionize the gas, including (i) heating the gas, (ii) applying a strong electrical field, (iii) focusing laser or microwave (MW) radiation, and some others. Depending on the energy of the electrons and heavy particles, plasmas can be divided into two large classes:

- Plasmas at local thermodynamic (or thermal) equilibrium (LTE);
- Plasmas at non-local thermodynamic equilibrium (non-LTE).<sup>45</sup>

LTE, or thermal plasmas, are characterized by an established equilibrium between every collision balanced by its inverse process, *i.e.*, excitation/de-excitation, ionization/recombination. In this case, the temperature of heavy particles or gas temperature ( $T_g$ ) is equivalent to the temperature of the electrons ( $T_e$ ). Here and later in the paper, the Maxwellian distribution of particle energy is expected to hold for both electrons and heavy species, so the macroscopic parameter, temperature, can be used to describe the energy of the species. In the more general case, the electron energy distribution function (EEDF) has to be used instead of  $T_e$ , and deviation from the Maxwellian distribution can be considerable, especially in low pressure plasmas.<sup>46</sup>

In turn, de-excitation processes in non-LTE, or non-thermal, plasmas are characterized by different energy distributions between energetic electrons and heavy particles, and typically,



$T_e$  is much higher than  $T_g$  and the ion temperature ( $T_{ions}$ ). Both thermal and non-thermal plasmas can be generated at low and atmospheric pressure, whereas high pressure operation often results in fast thermalization of the discharge due to a high number of collisions between particles. Plasma operation at low pressure provides a convenient way to control the energy of electrons, as the latter can only participate in a few collisions with other species and can gather substantial energy. Such plasmas can be very uniform and reach complete ionization, *i.e.*, fusion plasmas in tokamaks, but they are not adapted for NF on an industrial scale due to the requirement of vacuum equipment. Thus, in this overview, the primary focus lies on atmospheric (or high) pressure plasmas as the only feasible way to implement plasmas for NF.

### 3.2 Elementary processes in plasmas

At high pressure ( $\sim 1$  atm), electrons are the first to receive energy from the electric field and distribute it among the other plasma components. The energy transfer from an externally supplied electrical field to electrons and consequently to other species (ions, metastables, radicals, *etc.*) provides a possibility to create a mixture rich in reactive species and so initiate unique chemistry with the use of electrical energy. As such, plasmas of high pressure are often considered a sort of plasma-chemical reactor where unique chemical reactions take place. The main elementary processes initiated in plasma, important for gas conversion chemistry, are schematically presented in Table 1.

The main electron-initiated processes are P1–P6. These processes are generally divided into two groups, representing elastic and inelastic collisions. The first group, described as P1, changes the kinetic energy of the neutral species. At high pressure, due to the high frequency of collisions, the P1 process is attributed to gas heating. The second group, P2–7, is a set of processes determining plasma's unique properties, creating a manifold of highly reactive species and so capable of initiating plasma chemical reactions. These inelastic collisions between electrons and heavy particles can dissociate molecules (P2),

modify the electronic structure of the neutral species, *i.e.*, excite (P3, electronically ( $E$ ) and/or vibrationally ( $\nu$ )) or ionize (P4) them, and can lead to electron attachment/detachment (P5–P6). Electron collisions with heavy particles, which lead to the formation of excited species, have a particular interest in gas conversion (P3.1–P3.4). This is because these formed species can also have enough energy to overcome a reaction's activation energy barrier ( $E_a$ ) and participate in gas conversion, particularly in NF. Electrons can transfer their energy to other species, resulting in the formation of ions (P4, *e.g.*,  $N_2^+$ ), electronically excited (P3.1, *e.g.*,  $N_2(A, B, C)$ ), and vibrationally excited species (P3.2, *e.g.*,  $N_2(\nu_x)$ ). These energetic particles will also transfer their energy in processes such as P2.1 and P4.1, significantly contributing to gas conversion. However, the same energetic species can also exchange (more often lose) their energy in vibrational–vibrational (V–V, P3.3) and vibrational–translational (V–T, P3.4) energy exchange reactions, through which vibrational energy is converted to heat. Finally, electronically excited species can lose their energy by radiation (P7, spontaneous emission process). The main  $N_2$  active species generated in plasma conditions and important for NF are listed in Table 2, together with possible mechanisms of their formation.

In contrast to “conventional chemistry,” the reaction rates of electron-involved processes in plasma chemistry are determined by a reaction threshold energy (in [eV]), cross-section (in [ $m^2$ ]), and the electron energy distribution function, or  $T_e$ , if the Maxwell energy distribution approximation is fulfilled. The threshold energy depends on the nature of the heavy particles and determines the minimum energy of the electron to initiate the reaction. The cross-section defines the probability of the process and depends on the electron energy. Finally, the electron energy is determined by the reduced electric field ( $E/n$ ), which is the ratio of the electric field  $E$  over gas number density  $n$ . Consequently, plasma chemistry can be precisely controlled by influencing the electron properties, which is exactly the aim of researchers working in the field of plasma chemistry: to control the plasma-initiated reactions through the tuning of plasma properties.

Table 1 Elementary processes in plasmas. P stands for process

| Process |   | Scheme   |
|---------|---|--|
| P1      | Momentum transfer                         | $AB + e^-(p_1) \rightarrow AB + e^-(p_2)$  |
| P2      | Electron dissociation                     | $AB + e^- \rightarrow A + B + e^-$   |
| P2.1    | Heavy particle dissociation               | $AB^* + AB \rightarrow AB + A + B$   |
| P3      | Excitation                                | $AB + e^- \rightarrow AB^* + e^-$  |
| P3.1    | Electronic excitation                     | $AB(g, E_i) + e^- \rightarrow AB(E_j) + e^-$                                       |
| P3.2    | Vibrational excitation                    | $AB(g, \nu_i) + e^- \rightarrow AB(\nu_j) + e^-$                                   |
| P3.3    | Vibrational–vibrational energy exchange   | $AB(\nu_i) + AB(\nu_j) \rightarrow$<br>$\rightarrow AB(\nu_i - n) + AB(\nu_j + m)$ |
| P3.4    | Vibrational–translational energy exchange | $AB(\nu_i) + M \rightarrow AB(\nu_i - n) + M$                                      |
| P4      | Electron ionization                       | $A + e^- \rightarrow A^+ + 2e^-$   |
| P4.1    | Ion induced ionization                    | $AB + C^+ \rightarrow AB^+ + C$  |
| P4.2    | Dissociative ionization                   | $AB + e^- \rightarrow A^+ + B + 2e^-$  |
| P5      | Dissociative attachment                   | $AB + e^- \rightarrow A^- + B$   |
| P6      | Detachment                                | $A + e^- \rightarrow A + 2e^-$   |
| P7      | Photon emission                           | $AB(E_j) \rightarrow AB(E_i) + h\nu$   |



Table 2 Overview table representing physical aspects of N<sub>2</sub> activation in plasma

| Typical activated N species and their electronic configurations <sup>47</sup> |                       |                  |                       |  |                       |
|---|-----------------------|------------------|-----------------------|--|-----------------------|
| N <sub>2</sub>  |                       | N                |                       | N <sub>2</sub> <sup>+</sup>  |                       |
| Electronic state  | Potential energy [eV] | Electronic state | Potential energy [eV] | Electronic state   | Potential energy [eV] |
| N <sub>2</sub> (X <sup>1</sup> Σ <sub>g</sub> <sup>+</sup> , ν)               | 0                     | N(S4)            | 0                     | N <sub>2</sub> <sup>+</sup> (X <sup>2</sup> Σ <sub>g</sub> <sup>+</sup> , ν) | >15.45                |
| N <sub>2</sub> (X <sup>1</sup> Σ <sub>g</sub> <sup>+</sup> , ν = 1)           | <0.3                  | N(D2)            | 2.39                  | N <sub>2</sub> <sup>+</sup> (A <sup>2</sup> Π <sub>u</sub> , ν)              | >16.5                 |
| N <sub>2</sub> (A <sup>3</sup> Σ <sub>u</sub> <sup>+</sup> , ν)               | >6.17                 | N(P2)            | 3.57                  | N <sub>2</sub> <sup>+</sup> (B <sup>2</sup> Σ <sub>u</sub> <sup>+</sup> , ν) | >18.35                |
| N <sub>2</sub> (B <sup>3</sup> Π <sub>g</sub> , ν)                            | >7.35                 |                  |                       | N <sub>2</sub> <sup>+</sup> (C <sup>2</sup> Σ <sub>u</sub> <sup>+</sup> , ν) | >23.2                 |
| N <sub>2</sub> (C <sup>3</sup> Π <sub>u</sub> , ν)                            | >11.03                |                  |                       |  |                       |

| Nitrogen activation mechanisms in plasmas <sup>47,62</sup>  |  |  |  |
|---|--|--|--|
| Reaction  | *- electronic configuration                | Minimum activation energy [eV]                   |  |
| <b>Electron impact dissociation and excitation (dominant at E/n &gt; 100 Td<sup>a</sup>)</b>  |  |  |  |
| e + N <sub>2</sub> → N <sup>(*)</sup> + N <sup>(*)</sup> + e  | (R2.1)                                     |  |  |
|   | S4 + S4                                    | 9.75   |  |
|   | D2 + S4                                    | 12.15  |  |
|   | P2 + S4                                    | 13.3   |  |
|   | D2 + D2                                    | 14.6   |  |
| <b>Vibrational excitation, aka. vibrational ladder climbing (dominant at E/n &lt; 100 Td)</b>   |  |  |  |
| e + N <sub>2</sub> → N <sub>2</sub> <sup>*</sup> (ν > 0) + e  | (R2.2)                                     | (X <sup>1</sup> Σ <sub>g</sub> <sup>+</sup> , ν) | <0.29                                      |
| e + N <sub>2</sub> <sup>*</sup> (ν > 0) → N <sub>2</sub> <sup>*</sup> (ν + n) + e   | (R2.3)                                     |  |  |
| e + N <sub>2</sub> (X <sup>1</sup> Σ <sub>g</sub> <sup>+</sup> , ν) → N + N <sup>(*)</sup> + e  | (R2.4)                                     |  | <9.75                                      |
| N <sub>2</sub> <sup>*</sup> (ν) + N <sub>2</sub> <sup>*</sup> (ν) → N <sub>2</sub> <sup>*</sup> (ν + n) + N <sub>2</sub> <sup>*</sup> (ν - n) | (R2.5)                                     |  |  |
| <b>Electronic excitation (dominant at E/n &gt; 100 Td)</b>  |  |  |  |
| e + N <sub>2</sub> → N <sub>2</sub> <sup>*</sup> + e  | (R2.6)                                     |  |  |
|   | A <sup>3</sup> Σ <sub>u</sub> <sup>+</sup> | 6.17   |  |
|   | B <sup>3</sup> Π <sub>g</sub>              | 7.35   |  |
|   | C <sup>3</sup> Π <sub>u</sub>              | 11.03  |  |
| <b>Ionization (dominant at E/n ≫ 100 Td)</b>  |  |  |  |
| e + N <sub>2</sub> → N <sub>2</sub> <sup>++</sup> + 2e  | (R2.7)                                     | (X <sup>2</sup> Σ <sub>g</sub> <sup>+</sup> , ν) | 15.58                                      |
| N <sub>2</sub> <sup>*</sup> + N <sub>2</sub> <sup>*</sup> → N <sub>2</sub> <sup>++</sup> + N <sub>2</sub> + e                                 | (R2.8)                                     | (B <sup>2</sup> Σ <sub>u</sub> <sup>+</sup> , ν) | 18.75                                      |
| <b>Photon excitation (dominant at E/n ≫ 100 Td)</b>   |  |  |  |
| hν + N <sub>2</sub> → N <sub>2</sub> <sup>*</sup>   | (R2.9)                                     | ≈ 200 nm   | Also possible with multi-photon excitation |
| hν + N → N <sup>*</sup>   | (R2.10)                                    | ≈ 103 nm   |  |

<sup>a</sup> 1 Td = 10<sup>21</sup> V m<sup>-2</sup>.

### 3.3 Advantages and limitations of plasma-based nitrogen fixation from a physical perspective

It is important to emphasize that in the context of NF, thermal plasmas, where the P1 process is dominant, cannot overcome the thermodynamic limit and so cannot compete with HB or other catalytical processes in terms of energy costs. A thermal arc was historically one of the first methods applied for industrial NF in 1903 (Norway). Birkeland and Eyde developed a method (BE) for the artificial synthesis of HNO<sub>3</sub> from atmospheric air using electrical arcs.<sup>48,49</sup> Soon after their invention, the method was replaced by HB due to economic reasons mainly related to the high energy costs of the BE process. Indeed, the theoretical energy consumption minimum in thermal plasmas is 0.86 MJ mol<sup>-1</sup>, which is almost twice the theoretical minimum of 0.48 MJ mol<sup>-1</sup> for HB.<sup>29</sup> Moreover, it can only be achieved at high pressure and a fast cooling rate of the gas (*ca.* 10<sup>7</sup> K s<sup>-1</sup>), preventing the reverse formation of initial

molecular components.<sup>29,35</sup> Despite numerous efforts to optimize the arc reactor, the best performance obtained in thermal plasmas so far is 1.8–4.1 MJ mol<sup>-1</sup> (at different N<sub>2</sub>:O<sub>2</sub> ratios and reactor configurations), which again makes it difficult to compete with HB on a large scale but still can be of interest for small scale production and use of abundant resources, *i.e.*, air as feedstock.<sup>50</sup>

On the other hand, the advantage of non-thermal plasmas is related to the pathway of N≡N bond dissociation and the possibility of overcoming the energy efficiency of thermal processes because of unique chemistry realized under such conditions, namely at low *T<sub>g</sub>* and high *T<sub>e</sub>*. The N<sub>2</sub> dissociation limit is 9.7 eV, requiring very energetic electrons to be present in the discharge. This can only be achieved at very high *E/n* strength, which makes the process energy-demanding and inefficient from an industrial point of view. An alternative to this is the step-wise N<sub>2</sub> vibrational excitation. This mechanism



is initiated by low-energy electrons that can vibrationally excite  $N_2$  (process P3.2 in Table 1). More importantly, these  $N_2(v_i)$  states can also exchange energy (process P3.3 in Table 1), forming  $N_2(v_j)$  with a high vibrational number ( $j > i$ ). This process is called vibrational ladder climbing. The energy difference between low vibrational levels in  $N_2(\Delta v_x = 1)$  is  $< 0.29$  eV and decreases with every level according to the anharmonic oscillator theory.<sup>51</sup> As a result of ladder climbing, the vibrationally excited states of  $N_2$  generated because of P3.2 and P3.3 will induce an increase in the vibrational population of  $N_2$  higher states that can efficiently drive NF, decreasing the  $N_2$  dissociation limit. Very importantly, the  $N_2$  vibrational states do not need to be in equilibrium with the rest of the gas, and so such a process can be driven by electron impact at low  $T_g$ . Therefore, NF driven by the vibrational ladder-climbing mechanism is superior to direct electron dissociation or thermal dissociation because:

- It requires low  $E/n$  strength, corresponding to a mean electron energy of about 2 eV, resulting in reasonable energy consumption;
- Vibrational excitation decreases the  $N_2$  dissociation energy in electron impact reactions because the net reaction can take a path as follows:  $N_2(v_x > 0) + e(E_e < 9.7 \text{ eV}) \rightarrow N + N^{(*)} + e$ , where \* stands for the energy surplus, which leads to the formation of an excited N atom.
- Finally, an important reaction for  $N_2$  oxidation:  $N_2 + O \rightarrow NO + N$ , having  $E_a$  of 3.06 eV, can be initiated by vibrationally excited  $N_2(v_x > 13)$ . As such, the mechanism can be more energy efficient compared to direct dissociation.<sup>35,52–56</sup>

Theoretical estimations based on the dissociation mechanism of  $N_2$  by vibrational ladder climbing suggest that NF, namely oxidation, carried out *via* non-thermal plasmas can be 2.5 times more efficient than the currently used HB process (0.2

and 0.48 MJ mol<sup>-1</sup>, respectively).<sup>29,35</sup> This is the most important aspect of non-thermal plasma-induced NF, as the aforementioned mechanism provides a way to overcome the thermodynamic limit of thermal chemical processes, and so is able to compete with HB and other catalytic pathways. Unfortunately, vibrational ladder climbing is often coupled with vibrational energy relaxation in V-T processes (P3.4, Table 1), leading to gas heating and increasing the costs of  $N \equiv N$  bond dissociation. Moreover, V-T relaxation accelerates with temperature and vibrational state numbers. This is why the most pronounced vibrational excitation is observed in low pressure plasmas, making it difficult to achieve at elevated pressure.<sup>35,57–59</sup> However, a number of methods were proposed in the literature to reach high vibrational excitation of  $N_2$  in plasmas operating at high pressure.<sup>54,58,60,61</sup>

In summary, depending on the mean electron energy or  $T_e$ , plasma-induced NF processes can be dominated either by (i) elastic collisions, with typical examples of thermal plasmas; (ii) vibrational excitation, or (iii) electron impact dissociation. As the contribution of the listed processes is defined by the energy of the electrons, it can be tuned depending on a type of electrical discharge, more specifically depending on the value of  $E/n$  required to sustain the discharge and heat the electrons. In that regard, it is very convenient to classify electrical discharges based on their  $E/n$  value, as shown in Table 3. The electronically excited species (*e.g.*,  $N_2(A, B, C)$ ) are typically produced under conditions when the  $E/n$  strength is  $>100$  Td (in an  $N_2$  atmosphere). This mechanism of  $N_2$  excitation is dominant in dielectric barrier discharges (DBDs), corona discharges (where also photon-related processes take place), and short-pulse plasmas. At the same time, the favorable vibrational excitation, *i.e.*,  $N_2(v_x)$  formation, can take place in plasmas operating at  $E/n < 50$  Td. These are plasmas operating in glow discharge

Table 3 Typical physical characteristics of plasmas utilized for NF

| Plasma type                     | Reduced electric field, $E/n$ [Td]                 | Mean electron energy [eV]                | Electron density, $n_e$ [m <sup>-3</sup> ] | Gas temperature, $T_g$ [K]   | Dominant $N_2$ excitation pathway                         |
|---------------------------------|--|--|--|------------------------------|---|
| Corona discharge (DC or pulsed) | $\gg 100$  | $>10$                                    | $10^{15}$ – $10^{19}$                      | $<400$                       | Photoexcitation   |
| DBD                             | $>100$   | $\approx 10$                             | $10^{18}$ – $10^{21}$                      | $<700$                       | Electronic excitation                                     |
| Glow discharge                  | $<50$  | 1–2                                      | $10^{19}$ – $10^{21}$                      | 300–1000                     | Electronic and vibrational excitation                     |
| Arc discharge (DC)              | $\ll 10$   | 1–2                                      | $10^{21}$ – $10^{26}$                      | $T_e = T_g = 8000$ – $14000$ | Thermal excitation  |
| Gliding arc (GA)                | $>100$ at breakdown<br>$\ll 100$ when sustained    | 1–2                                      | $10^{20}$ – $10^{22}$                      | 2000–3500                    | Vibrational and thermal excitations                       |
| Spark discharge (AC, DC pulses) | $\gg 100$ at breakdown<br>$\ll 100$ when sustained | $<10$ at breakdown<br>1–2 when sustained | $10^{21}$ – $10^{24}$                      | $>1000$                      | Electronic, vibrational, and thermal excitations          |
| MW plasmas                      | <sup>a</sup>                                       | <sup>a</sup>                             | $10^{17}$ – $10^{22}$                      | 2400–10000                   | Dissociative excitation, vibrational, thermal excitations |
| RF discharges                   | <sup>a</sup>                                       | <sup>a</sup>                             | $10^{21}$ – $10^{26}$                      | $T_e = T_g = 600$ – $3000$ K |   |
| Pulsed RF                       | <sup>a</sup>                                       | <sup>a</sup>                             |  | $<400$                       |   |
| RF APPJ                         | <sup>a</sup>                                       | <sup>a</sup>                             | $10^{17}$ – $10^{18}$                      | $<600$                       |   |

<sup>a</sup> Values strongly depending on the experimental arrangement; AC stands for alternating current; APPJ stands for atmospheric pressure plasma jet



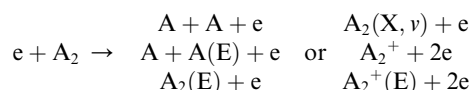
mode (mostly direct current (DC)), radiofrequency (RF), and MW plasmas. It is generally assumed that both electronic excitation and vibrational excitation can be initiated in pulsed plasmas (pulse duration from 10  $\mu$ s to 100 ms).<sup>62,63</sup> At  $E/n$  below 5 Td, the contribution of elastic collisions starts to be dominant, and plasmas tend to transfer to thermal equilibrium. An overview of different plasma types used for NF is provided in Table 3.

In this section, the basic aspects of plasma physics in the frame of the NF approach were introduced, to help readers understand how different types of plasma can be used for the initiation of desirable chemistry. This knowledge is essential for any plasma researcher embarking on the design of plasma-based NF experiments. Armed with this knowledge, researchers can address key questions such as: What type of plasma should I use? What activated species does my plasma produce? What gas temperature and degree of non-equilibrium can I achieve? To provide a guideline in answering such key questions, the following sections will discuss the current state-of-the-art in two primary directions:  $N_2$  oxidation and  $N_2$  reduction, with a focus on mechanisms of reactions initiated by plasma.

## 4 Plasma nitrogen fixation: chemistry

This section explores the chemical pathways involved in nitrogen fixation, specifically focusing on the nitrogen oxidation and reduction processes in various gas atmospheres. Before delving into these processes, it is essential to establish the foundational concepts, including the common logic, terminology, and denotations used throughout the discussion.

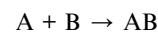
In general, plasma-based NF starts with feedstock activation through a reaction between energetic electrons and heavy particles or between several heavy particles with redundant energy. These processes depend on the gas mixture composition and can be generally introduced as follows:



Further, for contingency, all electronically excited states (E) and vibrationally excited states (X,  $\nu$ ) will be denoted with an asterisk \*, while an asterisk enclosed in brackets, (\*), will mean a species that can be in ground as well as in excited state,



There is no general agreement on the importance of each activation channel facilitating  $NO_x$  and especially  $NH_3$  synthesis. Direct electron impact dissociation,<sup>64</sup> ionization,<sup>64,65</sup> electronic excitation,<sup>64,66,67</sup> and vibrational excitation<sup>68,69</sup> have all been proposed as important mechanisms taking place in different plasmas.<sup>70</sup> However, it is well accepted that the larger the contribution of vibrational excitation in  $N_2$  dissociation, the more energy-efficient the NF. In turn, the gas-activated species initiate the formation of initial products, for example as:



As a final step, further oxidation or hydrogenation takes place for  $N_2$  oxidation and  $N_2$  reduction processes, respectively.

The overall rate-determining and most energy-consuming step of NF in the plasma environment is electron impact activation of the  $N_2$  molecule, *i.e.*, (R2.1)–(R2.10) reactions in Table 2. Such an initial step is common for all plasma-based NF processes, oxidation or reduction, but the plasma type determines selectivity towards the generation of specific intermediates and so the final reactive species. It must also be emphasized that the mechanisms discussed in Sections 3.1 and 3.2 serve only the purpose of introducing divergence in NF chemistry. From this perspective and the purpose of the paper, they are given in a very generalized way (although supported by literature and reaction rate analysis), while real chemistry is much more complicated and may involve thousands of reactions from radical chemistry, photochemistry, *etc.*, but discussing these would lie outside the scope of our discussion.

### 4.1 Plasma nitrogen fixation: oxidation pathways

The following section introduces readers to the key chemical reaction pathways leading to (H)NO<sub>x</sub> synthesis. It is organized by the type of feedstock used, allowing readers to focus on the processes most relevant to their interests.

The understanding of  $N_2$  oxidation mechanisms has been built upon the combustion processes.  $N_2$  oxidation chemistry at thermal conditions (in combustion) has been well-known since the 1940s and is described below *via* reactions (R3.1)–(R3.3), known as the extended Zeldovich mechanism.<sup>71</sup>



Reaction (R3.1) is the rate-determining step due to the need to break the strong triple bond of the  $N_2$  molecule. As such, in combustion, the final concentration of NO is notably influenced by the composition of the fuel mixture and the temperature used. In  $O_2$ -rich gas mixtures, the NO concentration reaches equilibrium through the reversible reaction (R3.2). This entails a forward reaction at low NO concentrations and a reverse reaction at higher NO concentrations. However, under specific conditions, particularly when the oxygen content is low in the gas mixture, the NO concentration is governed by reaction (R3.3), which involves OH radicals. The latter can be generated in significant quantities within the combustion mixture through the oxidation of hydrocarbons (the fuel).<sup>71–73</sup>

Building upon initial attempts in  $NO_x$  synthesis at plasma conditions *via* the thermal Birkeland–Eyde process and emerging insights into NO formation chemistry from combustion studies, a broad range of plasma sources have been explored for the dissociation and oxidation of the  $N \equiv N$  bond.<sup>35</sup> Several literature reports delve into the underlying oxidation



pathways.<sup>17,62,74–79</sup> The chemistry of N<sub>2</sub> oxidation differs significantly and exhibits greater diversity in plasma compared to combustion, owing to the non-equilibrium conditions that can be realized in plasmas.

**4.1. 1 Nitrogen oxidation in N<sub>2</sub> + O<sub>2</sub> (air) systems.** NO<sub>x</sub> formation requires a source of N and O. Air is the most obvious choice of feedstock owing to its abundance and accessibility. In dry N<sub>2</sub>:O<sub>2</sub> gas mixtures, NO<sub>x</sub> formation can be described following the aforementioned steps: activation – initial product formation – oxidation, as shown in Table 4 and schematically illustrated in Fig. 2a.

The plasma type strongly affects the occurring chemistry, namely during feedstock activation ((R2.1)–(R2.10) for N<sub>2</sub> and (R3.4)–(R3.7) for O<sub>2</sub>, Tables 2 and 4, respectively) and precursor formation steps (R3.8) and (R3.9). Plasmas with high electric field, *i.e.*,  $E/n > 100$  Td (such as a DBD), generate electronically excited species, while plasmas with  $E/n < 100$  Td can initiate strong vibrational excitation (see Table 2 for details). In general, the generation of NO, a primary precursor for the formation of further, higher oxides, happens *via* the so-called non-thermal Zeldovich mechanism. This term is often met in the plasma community, and it refers to reactions (R3.8) and (R3.9) driven by highly reactive species formed in plasma.

It is also generally accepted that the most energy-efficient pathway for NF is promoted by vibrational excitation of ground state to N<sub>2</sub>(X,  $\nu$ ) (see Section 2). Vibrational excitation decreases the activation energy barrier for nitrogen dissociation, facilitating reaction (R2.1) through (R2.5), as shown in Table 2. More importantly, for N<sub>2</sub> oxidation, the Zeldovich mechanism can be efficiently exploited by overpopulating the N<sub>2</sub> vibrational levels, and reaction (R3.1), shown earlier, can be driven by N<sub>2</sub>(X,  $\nu > 13$ ). However, often, vibrational excitation is suppressed by undesirable V–T energy transfer processes, which lead to a rise in gas temperature, inherently initiating NO formation following the thermal Zeldovich mechanism (R3.1) and (R3.2). This means that in warm plasmas (with  $E/n < 100$  Td, such as GA), NO generation can occur through a combination of both non-thermal and thermal Zeldovich mechanisms. In this case, NO formation *via* thermal mechanism can be considered a waste of energy because it is less efficient than its non-thermal counterparts. In addition, the reverse processes (R3.8) and (R3.9) become more pronounced at high temperatures, restricting NO formation (red arrows pathway in Fig. 2a). Therefore, the specific contribution of non-thermal and thermal Zeldovich mechanism in plasmas with  $E/n < 100$  Td remains uncertain and subject to ongoing scientific debate.

The ultimate oxidation of NO to NO<sub>2</sub> is shown in reactions (R3.10) and (R3.11). Ozone (O<sub>3</sub>) production primarily occurs through the reaction O<sub>2</sub> + O + M → O<sub>3</sub> + M, which consumes reactive oxygen atoms (M stands for the third body). O<sub>3</sub> is crucial for the formation of NO<sub>2</sub>; nevertheless, in plasmas with elevated gas temperatures, the significance of (R3.11) diminishes as O<sub>3</sub> becomes unstable at high temperatures (green arrows pathway in Fig. 2a). It is worth noting that reaction N + O<sub>3</sub> → NO + O<sub>2</sub> cannot contribute at the initial oxidation state stage due to its low reaction rate constant.<sup>80</sup>

Table 4 Plasma-based N<sub>2</sub> oxidation

| Nitrogen oxidation in N <sub>2</sub> + O <sub>2</sub> (air) mixtures  |         |
|---|---------|
| <b>Feedstock (N<sub>2</sub>, O<sub>2</sub>) activation (N, N*, N<sub>2</sub><sup>*</sup>, O, O*, O<sub>2</sub><sup>*</sup>)</b>   |         |
| (R2.1)–(R2.10) (N <sub>2</sub> activation, as described in Table 2)   |         |
| e + O <sub>2</sub> → O + O* + e   | (R3.4)  |
| e + O → O* + e  | (R3.5)  |
| e + O <sub>2</sub> → O <sub>2</sub> <sup>*</sup> + e  | (R3.6)  |
| N <sub>2</sub> <sup>*</sup> + O <sub>2</sub> → O + O* + N <sub>2</sub> <sup>(*)</sup>   | (R3.7)  |
| Initial oxidation of N  |         |
| N <sub>2</sub> <sup>*</sup> + O → NO + N  | (R3.8)  |
| N <sup>(*)</sup> + O <sub>2</sub> <sup>*</sup> → NO + O   | (R3.9)  |
| Further N oxidation   |         |
| NO + O + M → NO <sub>2</sub> + M  | (R3.10) |
| NO + O <sub>3</sub> → NO <sub>2</sub> + O <sub>2</sub>  | (R3.11) |
| Decomposition reaction of NO <sub>x</sub>   |         |
| NO <sub>x</sub> + O + M → NO <sub>x-1</sub> + O <sub>2</sub> + M  | (R3.12) |
| Nitrogen oxidation in N <sub>2</sub> + H <sub>2</sub> O and N <sub>2</sub> + O <sub>2</sub> (air) + H <sub>2</sub> O mixtures   |         |
| <b>Feedstock (N<sub>2</sub>, O<sub>2</sub>, H<sub>2</sub>O) activation (N, N*, N<sub>2</sub><sup>*</sup>, O, O*, O<sub>2</sub><sup>*</sup>, OH, H) in the gas phase</b>               |         |
| (R2.1)–(R2.10) (N <sub>2</sub> activation, as described in Table 2)   |         |
| (R3.4)–(R3.7) (O <sub>2</sub> activation)   |         |
| e + H <sub>2</sub> O → OH + H + e   | (R3.13) |
| O* + H <sub>2</sub> O → OH + OH   | (R3.14) |
| N <sub>2</sub> <sup>*</sup> + H <sub>2</sub> O → N <sub>2</sub> + H + OH  | (R3.15) |
| H <sub>2</sub> O $\xrightarrow{\text{UV irradiation 120–170 nm}}$ OH + H  | (R3.16) |
| e + OH → H + O + e  | (R3.17) |
| Initial oxidation of N: (R3.8) and (R3.9)   |         |
| N* + OH → NO + H  | (R3.18) |
| Further N oxidation: (R3.10) and (R3.11)  |         |
| NO + H + M → HNO + M  | (R3.19) |
| NO <sub>2</sub> + HNO + M → HNO <sub>2</sub> + NO + M   | (R3.20) |
| NO + OH + M → HNO <sub>2</sub> + M  | (R3.21) |
| H <sub>2</sub> O + NO <sub>2</sub> → OH + HNO <sub>2</sub>  | (R3.22) |
| H <sub>2</sub> O + NO <sub>2</sub> + NO → HNO <sub>2</sub> + HNO <sub>2</sub>   | (R3.23) |
| <b>Feedstock (N<sub>2</sub>, O<sub>2</sub>, H<sub>2</sub>O) activation (N, N*, N<sub>2</sub><sup>*</sup>, O, O*, O<sub>2</sub><sup>*</sup>, OH, H) in the plasma/liquid interface</b> |         |
| (R2.1)–(R2.10) (N <sub>2</sub> activation described in Table 2)   |         |
| (R3.4)–(R3.7) (O <sub>2</sub> activation)   |         |
| (R3.13)–(R3.17) (H <sub>2</sub> O activation)   |         |
| OH + OH → H <sub>2</sub> O <sub>2</sub>   | (R3.24) |
| H <sub>2</sub> O <sub>2</sub> + O → HO <sub>2</sub> + OH  | (R3.25) |
| OH + O <sub>3</sub> → HO <sub>2</sub> + O <sub>2</sub>  | (R3.26) |
| OH + H <sub>2</sub> O <sub>2</sub> → HO <sub>2</sub> + H <sub>2</sub> O   | (R3.27) |
| Initial oxidation of N in the plasma/liquid interface: (R3.8), (R3.9) and (R3.18)   |         |
| N + HO <sub>2</sub> → NO + OH   | (R3.28) |
| Further N oxidation in the plasma/liquid interface: (R3.10), (R3.11), (R3.19)–(R3.23)   |         |
| NO <sub>2</sub> + O + M → NO <sub>3</sub> + M   | (R3.29) |
| HO <sub>2</sub> + NO <sub>2</sub> → HNO <sub>2</sub> + O <sub>2</sub>   | (R3.30) |
| OH + NO <sub>2</sub> + M → HNO <sub>3</sub> + M   | (R3.31) |
| H <sub>2</sub> O <sub>2</sub> + NO <sub>2</sub> + NO <sub>2</sub> → HNO <sub>3</sub> + HNO <sub>3</sub>   | (R3.32) |
| HO <sub>2</sub> + NO + M → HNO <sub>3</sub> + M   | (R3.33) |

The effect of the N<sub>2</sub> : O<sub>2</sub> ratio on the production rate (PR) and energy cost was investigated in various plasma systems, including MW, DBD, nanosecond pulse plasma, and GA.<sup>50,59,62,81</sup> The best performance is consistently achieved with a gas



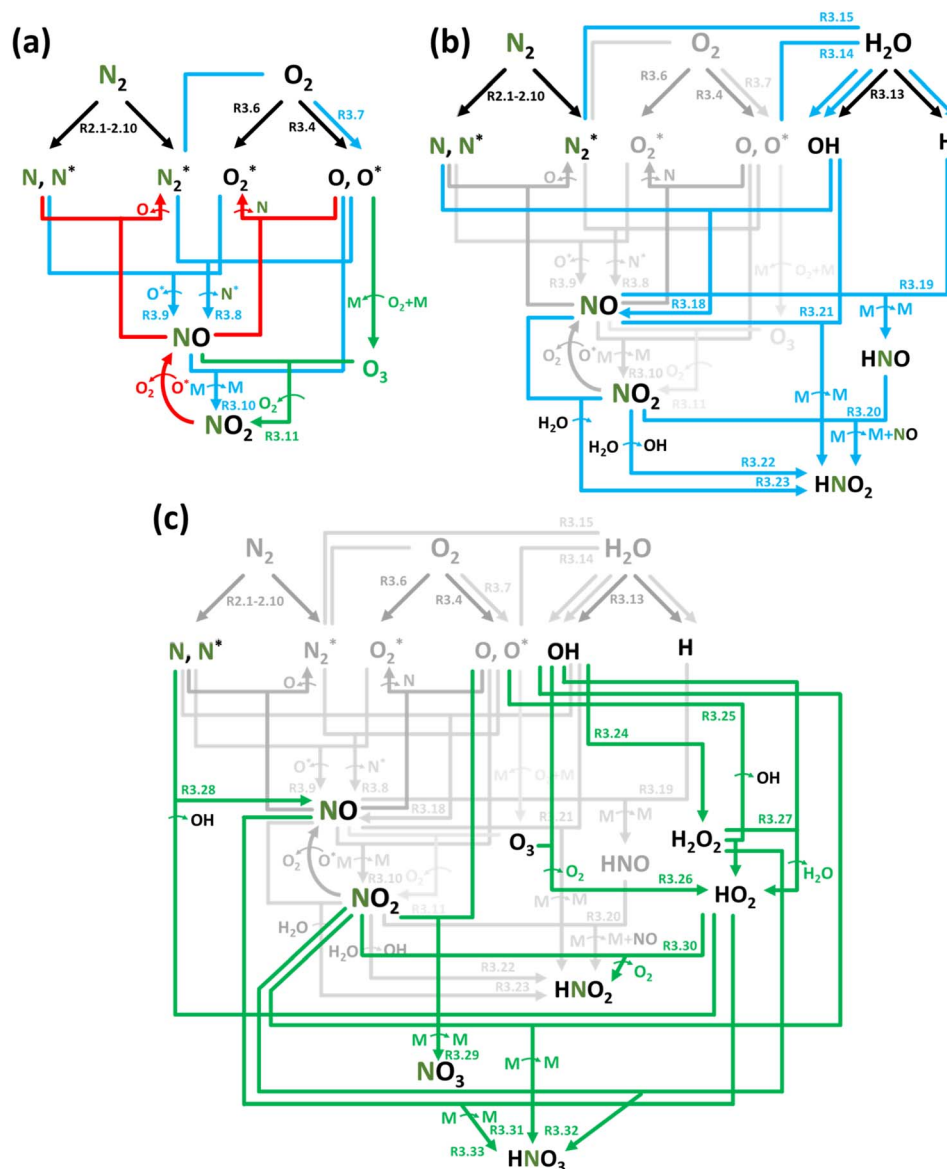


Fig. 2 Reaction diagrams of the  $\text{N}_2$  oxidation processes in (a)  $\text{N}_2$  :  $\text{O}_2$  (air), (b)  $\text{N}_2$  +  $\text{H}_2\text{O}$  and  $\text{N}_2$  +  $\text{O}_2$  (air) +  $\text{H}_2\text{O}$  feedstocks, where (c) highlights the chemistry in the plasma/liquid interface. Black, blue, red, and green arrows indicate electron impact reactions, forward reactions, reverse reactions at high temperature, and reactions pronounced at low temperature, respectively.

mixture ratio of 1 : 1 (rather than 4 : 1 as in air). However, the enhancement in the yield of oxidation products is not significant, considering the energy expenses associated with the production of either pure  $\text{N}_2$  or  $\text{O}_2$ .

The most industrial-relevant question is achieving the theoretical minimum EC of NF. It can be realized by utilizing the non-thermal Zeldovich mechanism, which is a key objective in the plasma community. Alongside direct  $\text{NO}_x$  formation, two common challenges are:

- Minimizing its decomposition *via* reverse reactions;
- Maximizing the fraction of gas treated by the plasma.<sup>48,50,74,82</sup>

These issues are often addressed by using pulsed spark plasmas,<sup>83,84</sup> incorporating specialized output gas nozzles

(utilizing the adiabatic and Joule–Thomson effects to cool the gas through expansion),<sup>85–87</sup> modifying the gas flow dynamics,<sup>85,87</sup> and introducing increased pressure to favor  $\text{NO}$  oxidation into  $\text{NO}_2$  rather than  $\text{NO}_x$  decomposition (*i.e.*, favoring (R3.10) over (R3.12)).<sup>49</sup> It is, however, important to note that the produced  $\text{NO}_x$  species are not fertilizers but rather fertilizer building blocks.

**4.1.2 Nitrogen oxidation in  $\text{N}_2$  +  $\text{H}_2\text{O}$  and  $\text{N}_2$  +  $\text{O}_2$  (air) +  $\text{H}_2\text{O}$  systems.** While publications on wet  $\text{N}_2$  oxidation and  $\text{N}_2$  reduction are relatively sparse compared to dry systems, interest in such processes has been increasing over the last 10 years. This rise is due to water being a green counterpart of  $\text{CH}_4$  or  $\text{H}_2$ , providing H.<sup>88,89</sup> For NF, water serves as a source of either O or O/H needed for  $\text{NO}_x$  or  $\text{HNO}_x$  formation, respectively (in this



case, the reduction process can also take place, which will be discussed in the following section). It has to be noted that from an application point of view, the  $N_2 + H_2O$  gas mixture is not very practical for  $N_2$  oxidation because pure  $N_2$  is a feedstock with added costs, and it requires pressure swing adsorption for separation from the air, and the absence of  $O_2$  obviously reduces the contribution of the  $N_2$  oxidation pathway in NF. Studies of  $N_2 + H_2O$  systems mostly aim to define the role of water in NF by reducing the number of reactants, *i.e.*, simplifying the chemistry.

When liquid  $H_2O$  is introduced into the system, NF products accumulate in the liquid phase. These products may include  $NH_3$  in the form of  $NH_4^+$ , as well as oxidation products of nitrogen, such as nitrite ( $NO_2^-$ ) and nitrate ( $NO_3^-$ ) ions. Therefore, the plasma-based synthesis of reactive oxygen species (ROS) and reactive nitrogen species (RNS) in water is often referred to as plasma-treated water (PTW) or plasma-activated water (PAW).<sup>90</sup>

There is no general agreement on the reaction locus for  $NO_x$  formation in the presence of  $H_2O$ . Opinions are divided among the gas phase, plasma-liquid interface, and liquid phase. It is well known that an increase in NF species production rate can be achieved by increasing the plasma-liquid surface area.<sup>91</sup> Considering this, designs with an increasing interface surface have been intensively studied: aerosol droplets,<sup>92</sup> water film, and vapour.<sup>91,93</sup> The source of the reactive species responsible for plasma-liquid chemistry is still under debate. In the case of plasma jets interacting with liquid water, the contradictory findings by various research groups indicate that there may or may not be a direct interaction of plasma with molecules of liquid water. The formation of  $NH_x$  (which will be discussed in Section 3.2) and  $NO_x$  species by  $N_2$ -containing plasma over water was suggested to occur (1) in the gas phase from the evaporated water<sup>92,93</sup> or (2) through direct interaction of plasma species with the top layer molecules of liquid  $H_2O$ .<sup>94,95</sup> Thus, the nature of plasma interaction with liquid likely depends on the specific plasma-liquid system, including the properties of the gaseous discharge and the geometry of the plasma-liquid interface.

Overall, conclusions about the reaction locus strongly depend on the reactor arrangement and the way water is introduced. Given that NF chemistry in the presence of  $H_2O$  is still under debate, it will be discussed considering distinguishable cases: (i) water in the gas phase, (ii) plasma-liquid interface, and (iii) in the bulk.

Fig. 2b depicts the NF oxidation chemistry in the presence of water, underlying the changes in the chemistry compared to the dry  $N_2 : O_2$  case in color. For both  $N_2 : O_2 + H_2O$  and  $N_2 + H_2O$  systems, the feedstock activation stage is the same, and  $H_2O$  homolytically dissociates into H and OH ((R3.13), see Table 4) under the electron impact and reactions with electronically excited states of  $N_2^*$  (and  $O^*$ , in the case of  $N_2 : O_2 + H_2O$ , (R3.15) and (R3.14), respectively).<sup>96,97</sup> Photodissociation of  $H_2O$  (R3.16) may also take place in plasmas, especially when using high  $E/n$  values, such as in the case of corona or DBD.<sup>98</sup> Furthermore, the full dissociation of  $H_2O$  into H and O may also be considered following reaction (R3.17). However, the probability of this

latter process is likely small because of two main reasons. Firstly, it involves a two-step process: two electron impact reactions (R3.13) and (R3.17) or heavy-particle (R3.14) or (R3.15) and electron impact (R3.17). Secondly, the reaction rate will be determined by the concentration of reactants, especially OH and electrons, which may be in limited supply. The concentration of the latter strongly depends on the plasma type ( $n_e(\text{DBD}) \ll 10^{21} \text{ m}^{-3}$ , and  $n_e(\text{spark}) < 10^{24} \text{ m}^{-3}$ , at atmospheric pressure conditions).

In the gas phase, NO formation should dominantly follow the reactions (R3.8), (R3.9) and (R3.18). However, in the  $N_2 + H_2O$  gas medium, the precursor formation process (R3.9) is significantly suppressed due to the lack of  $O_2$  in the gas mixture but can be replaced through (R3.18), involving OH radicals, as highlighted in Fig. 2b. The effect of the latter on NO formation in the gas phase has been shown through experiments in many studies.<sup>62,81,92,97,99–102</sup>

In addition to (R3.10) and (R3.11), further N oxidation processes can be enhanced by the reactions (R3.19)–(R3.23). In the  $N_2 + H_2O$  gas mixture, due to a shortage of  $O/O_2$ , the selectivity of stable products is strongly shifted towards  $HNO_2$  formation because further N oxidation is mostly governed by OH radicals (R3.21).<sup>103</sup> Several important points should be noted here. Due to its high reactivity, among different products of the NF process, HNO cannot be isolated as a product. It reacts rapidly with other molecules or undergoes decomposition into simpler compounds. Therefore, HNO is primarily encountered as an intermediate in chemical reactions. Nitric acid ( $HNO_3$ ) formation in the gas phase can occur only under very specific conditions, such as low pressure and temperature. At atmospheric pressure in the gas phase,  $HNO_3$  can be formed as  $OH + NO_2 + M \rightarrow HNO_3 + M$  with  $k(298 \text{ K}) = 4.75 \times 10^{-11} \text{ cm}^3 \text{ s}^{-1}$  (reduced to the second-order reaction),<sup>80</sup> which decreases with temperature, slowing it down. Meanwhile, one of the major  $HNO_3$  removal processes, namely  $OH + HNO_3 \rightarrow H_2O + NO_2$ , has  $k(298 \text{ K}) = 2 \times 10^{-13} \text{ cm}^3 \text{ s}^{-1}$ <sup>180</sup> and exponentially increases with temperature. Therefore,  $HNO_3$  is unstable and prone to decompose, ending up as  $NO_2$ . The same effect can take place with  $NO_3$ , whose removal processes, namely  $NO_3 + O \rightarrow O_2 + NO_2$  and  $NO + NO_3 \rightarrow NO_2 + NO_2$ , are faster than the formation ones.

The NF chemistry at the plasma/liquid interface remains unclear and has yet to be completely revealed. The lack of systematic studies is the primary reason for this uncertainty. Most research focuses on the behavior of a few radicals, neglecting the full range of possibilities. Additionally, studies of chemical pathways are often lacking due to the absence of thorough computational chemical modeling. The lack of necessary reaction rate constants (or their high uncertainty), as well as the difficulty in matching three different phases where water exists in different states (gas phase – vapor, plasma/liquid interface – mist, liquid phase – water bulk), are major obstacles preventing the development of a chemical kinetics model for plasma-liquid systems. While some works address the chemistry in such systems, focusing on gas chemistry, plasma/liquid interface chemistry, and liquid chemistry separately, much more research is needed for further advancements.<sup>104,105</sup>



Fig. 2c shows  $N_2$  oxidation chemistry in the plasma/liquid interface. Due to the high concentration of gaseous  $H_2O$  at the plasma/liquid interface region, its activation following reactions (R3.13)–(R3.17) becomes more significant than in the gas phase, increasing OH concentration. Moreover, this activation can significantly enhance the production of reactive species such as hydroxyl peroxide ( $H_2O_2$ ) and hydroperoxyl radical ( $HO_2$ ) *via* reactions (R3.24)–(R3.27). The latter opens an additional pathway for precursor formation, namely NO (R3.28). Finally, the abundance of OH,  $H_2O_2$ , and  $HO_2$  can further boost  $HNO_2$  formation (R3.30) and, more importantly, facilitate the formation of  $HNO_3$  through reactions (R3.31)–(R3.33) at the plasma/liquid interface. Besides these often addressed reactions, the possibility of other reactions, such as  $NO + OH^-$ , is unknown, requiring further investigation.<sup>98</sup>

The plasma/liquid interface primarily serves as the site for solvation reactions, following Henry's law. The solubility of (H)  $NO_x$  components, arranged from weakest to strongest, follows  $NO \rightarrow NO_2 \rightarrow NO_3 \rightarrow HNO_2 \rightarrow HNO_3$ . Considering the high Henry's constants of  $HNO_3$  and  $NO_3$ , the plasma/liquid interface can indeed be regarded as the crucial site for their formation (R3.29), (R3.31)–(R3.33), where they are initially generated and then solvated.

The products of  $N_2$  oxidation in liquids are  $NO_2^-$  and  $NO_3^-$  ions. Liquid-phase chemistry in this context has been extensively researched, with numerous reviews available on this topic.<sup>98,106–108</sup> However, uncertainty persists regarding the reaction pathways that lead to the formation of these products. The liquid phase becomes increasingly dominated by  $NO_2^-$  in plasmas with high concentrations of  $HNO_2$  and NO in the gas phase, achievable in  $N_2 + H_2O$  and dry  $N_2 : O_2$  feedstocks, respectively. Meanwhile, the selectivity shift toward  $NO_3^-$  is pronounced in plasmas with large plasma/liquid interface area, due to the elevated solubility of  $HNO_3$  and  $NO_3$  and at increased concentrations of  $NO_2$ . The latter, high  $NO_2$  concentrations, is most pronounced in dry  $N_2 : O_2$  plasmas, reaching 50–70% selectivity, and can be further enhanced up to 100% by introducing an additional oxidation source, such as ozone, or performing the synthesis at elevated pressure.<sup>50,109</sup>

In line with the objective of this work, focusing on plasma-based NF for fertilizer production, it is imperative to maintain a low concentration of  $NO_2^-$  in the output solution due to its detrimental effects on plants. Elevated  $NO_2^-$  levels can disrupt various cellular processes and inhibit essential enzymes, leading to oxidative stress, chlorosis (yellowing of leaves), and even plant death. From a chemical perspective, the most efficient method to convert  $NO_2^-$  present in the output into  $NO_3^-$  is through reaction with  $H_2O_2$ . The latter can be effectively generated in plasmas with electronic excitation at low gas temperatures. In warm plasmas, such as GA ( $E/n < 100$  Td), the high temperature inhibits  $H_2O_2$  generation. In such cases,  $NO_2^-$  can be converted into  $NO_3^-$  by bubbling  $O_2$  gas through the liquid.

To summarize, plasma-based nitrogen oxidation is typically carried out in a dry  $N_2 : O_2$  (air) atmosphere, resulting in  $NO_x$  production, or  $N_2 : O_2$  (air) +  $H_2O$  or  $N_2 + H_2O$  atmospheres, leading to the formation of (H) $NO_x$ . It is important to note that

in the latter cases, product formation occurs in both gas and liquid phases, which must be considered during analysis. Using  $N_2 + H_2O$  feedstock represents mainly a scientific interest in determining the chemical reaction pathways due to the high cost of pure  $N_2$ . Similar to the Oswald process (R1.2)–(R1.5), the ultimate aim of plasma-based nitrogen oxidation for fertilizer production is to generate  $HNO_3$ . This is achievable only if  $HNO_3$  is preserved in the liquid phase as  $NO_3^-$ , making the selectivity of its generation crucial. The most efficient performance in terms of EC is attainable in plasmas with significant vibrational excitation of  $N_2$ , as shown in Table 6. However, while the presence of the liquid phase is essential for the accumulation of  $NO_3^-$ , the plasma–liquid interface can adversely affect the NF process from a physical standpoint. Firstly, the presence of water vapor can diminish vibrational excitation, thereby hindering the activation of  $N_2$  molecules.<sup>78,110</sup> Secondly, the activation of water (R3.13)–(R3.17) is energy-intensive, diverting electron energy away from NF, specifically  $N_2$  activation. Finally, the presence of a plasma–liquid interface involves the transfer of  $H_2O$  from the liquid to the gas phase (evaporation), where electrons can react with it, further increasing the energy demands of the process. From a chemical kinetics standpoint,  $N_2$  oxidation in the presence of water can provide extra pathways for  $NO_x$  generation and shift process selectivity towards  $HNO_x$  formation. At the same time, the chemistry becomes diverse and more complicated, as visually seen in Fig. 2. The formation of numerous components in the system can lead to electron energy losses during their formation and subsequent excitation. Thus,  $N_2$  oxidation in the presence of a plasma–liquid interface can significantly alter process selectivity, while simultaneously leading to a notable reduction in process energy efficiency (by some estimates up to 20%).<sup>101</sup>

#### 4.2 Plasma nitrogen fixation: reduction pathways

This section provides an overview of nitrogen reduction, focusing on the synthesis of  $NH_3$  (or  $NH_4^+$  in the liquid medium). The process has been less explored due to several fundamental and practical challenges, which will be discussed in detail within each sub-section, focusing on nitrogen reduction in different feedstocks.

$NH_3$  synthesis in conditions of electrical discharge has been conducted utilizing different N- and H-containing feedstocks introduced as gases ( $N_2$ ,  $N_2 + O_2$  (air),  $H_2$ ,  $H_2O$ ,  $CH_4$ , alcohols) and liquids ( $H_2O$ , alcohols). The presence of different phases does not bring consensus on the reaction mechanisms for  $NH_3$  formation. Opinions are divided between the liquid phase,<sup>111–114</sup> gas phase,<sup>115,116</sup> catalyst surface,<sup>116</sup> or the gas/liquid<sup>111,114</sup> interface, based on the focus of the research.

Generalizing, plasma-based  $NH_3$  formation chemistry follows similar basic steps as  $NO_x$  generation: feedstock activation, formation of initial products, and further hydrogenation. In the context of  $N_2$  reduction, the use of a catalyst can significantly promote precursor formations *via* heterogeneous processes on the surface of catalysts through Eley–Rideal or Langmuir–Hinshelwood mechanisms.<sup>117</sup> The latter is of particular interest because, in this case, the catalyst surface acts as



a “trap” for activated species, followed by their reaction to form products and their later desorption from the surface.<sup>118</sup> It is often hypothesized that a synergistic combination of a non-equilibrium plasma and catalysis affords higher reaction productivity than conventional thermal catalysis.<sup>118,119</sup> However, the presence of a catalyst in the plasma zone can significantly impact the plasma properties, making plasma-catalytic processes interconnected, which is often not considered despite its crucial importance, as it strongly influences the plasma power density and, consequently, the chemistry and process efficiency.<sup>120,121</sup>

NH<sub>3</sub> (or NH<sub>4</sub><sup>+</sup> in liquid) synthesis can be performed using different feedstocks. In the subsequent sections, the main reaction pathways leading to N<sub>2</sub> reduction in various plasma forming gases are summarized.

**4.2.1 Nitrogen reduction in N<sub>2</sub> + H<sub>2</sub> mixtures.** Direct NH<sub>3</sub> synthesis from N<sub>2</sub> and H<sub>2</sub> mixtures is an exothermic reaction, therefore favored at low temperatures. However, the dissociation of N<sub>2</sub> is a strongly endothermic reaction, which requires high energy input. The latter can be achieved by several approaches. The first two are high temperature or high vibrational excitation (see previous Sections for details).<sup>122–125</sup> In terms of NH<sub>3</sub> formation, high temperatures must be avoided because NH<sub>3</sub> molecules become unstable at 973 K at 1 atm. Considering this, mostly DBD plasmas are used owing to their strong non-equilibrium nature (*i.e.*, low T<sub>g</sub> and dominant electron excitation and dissociation).<sup>57</sup> In this case, the NH<sub>3</sub> formation pathway can be described as feedstock activation ((R2.1)–(R2.10) for N<sub>2</sub> and (R3.34)–(R3.36) for H<sub>2</sub>, Tables 2 and 5, respectively), initial reduction ((R3.37)–(R3.40), Table 5), and further hydrogenation processes ((R3.41)–(R3.44), Table 5), as illustrated in Fig. 3a.

N<sub>2</sub> reduction processes can be significantly reinforced using a combination of non-thermal plasmas and a catalyst. In this case, conceptually, the chemistry remains the same but is shifted onto the catalyst surface, improving reaction activity and selectivity. Hence, the aforementioned reactions, specifically activation, and further hydrogenation stages, dominantly take place in accordance with Eley–Rideal and Langmuir–Hinshelwood mechanisms (with the main mechanism depending on the nature of the active metal site<sup>126,127</sup>).

Plasma-based NH<sub>3</sub> synthesis in an N<sub>2</sub> + H<sub>2</sub> gas mixture is of fundamental research interest because it contradicts the concept of plasma-based NF. The utilized gases, N<sub>2</sub> and H<sub>2</sub>, are relatively expensive feedstocks, *i.e.*, more expensive than simple air needed for NO<sub>x</sub> generation, as described in Section 3.1. Therefore, further utilization seems to be hindered by this.<sup>128</sup> Nonetheless, such studies help to understand the chemistry of NH<sub>3</sub> formation and assess the importance of the heterogeneous process on the catalyst surface. The overall performance of such systems in terms of EC [MJ mol<sup>-1</sup>] and PR [mg h<sup>-1</sup>] is concatenated in Table 6. Evidently, the use of a catalyst appears beneficial for process performance, allowing a decrease in EC and a significant gain in PR (note that PR for catalytic systems is reported in mg per h per gram of catalyst).

**4.2.2 Nitrogen reduction in N<sub>2</sub> + H<sub>2</sub>O mixtures.** Another interesting concept receiving a lot of attention is the use of H<sub>2</sub>O

Table 5 N<sub>2</sub> reduction pathways in different feedstock systems

| Nitrogen reduction in N <sub>2</sub> + H <sub>2</sub> mixtures   |         |
|--|---------|
| <b>Feedstock (N<sub>2</sub>, H<sub>2</sub>) activation (N, N*, N<sub>2</sub><sup>*</sup>, N<sub>2</sub><sup>+</sup>, H, H*, H<sub>2</sub><sup>*</sup>)</b>   |         |
| (R2.1)–(R2.10) (N <sub>2</sub> activation, as described in Table 2)  |         |
| e + H <sub>2</sub> → H + H* + e  | (R3.34) |
| e + H <sub>2</sub> → H <sub>2</sub> <sup>*</sup> + e   | (R3.35) |
| N <sub>2</sub> <sup>*</sup> + H <sub>2</sub> → H + H* + N <sub>2</sub>   | (R3.36) |
| Initial reduction of N   |         |
| N + H → NH   | (R3.37) |
| N* + H <sub>2</sub> → NH + H   | (R3.38) |
| N + H <sub>2</sub> <sup>*</sup> → NH + H   | (R3.39) |
| N <sub>2</sub> <sup>*</sup> + H → NH + N   | (R3.40) |
| Further hydrogenation  |         |
| NH + H <sub>2</sub> <sup>*</sup> → NH <sub>2</sub> + H   | (R3.41) |
| NH + H → NH <sub>2</sub>   | (R3.42) |
| NH <sub>2</sub> + H <sub>2</sub> <sup>*</sup> → NH <sub>3</sub> + H  | (R3.43) |
| NH <sub>2</sub> + H → NH <sub>3</sub>  | (R3.44) |
| Nitrogen reduction in N <sub>2</sub> + H <sub>2</sub> O mixtures   |         |
| <b>Feedstock (N<sub>2</sub>, H<sub>2</sub>O) activation (N, N*, N<sub>2</sub><sup>*</sup>, N<sub>2</sub><sup>+</sup>, H, H*, H<sub>2</sub><sup>*</sup>, OH, H<sub>2</sub>O*)</b>                                   |         |
| (R2.1)–(R2.10) (N <sub>2</sub> activation, as described in Table 2)  |         |
| (R3.13)–(R3.17) (H <sub>2</sub> O activation, as described in Table 4)   |         |
| Initial reduction of N: (R3.37), (R3.40)   |         |
| N + OH → NH + O  | (R3.45) |
| N <sub>2</sub> <sup>*</sup> + H <sub>2</sub> O → NH + N + OH   | (R3.46) |
| Further hydrogenation: (R3.42), (R3.44)  |         |
| NH + OH → NH <sub>2</sub> + O  | (R3.47) |
| NH <sub>2</sub> + OH → NH <sub>3</sub> + O   | (R3.48) |
| Decomposition reaction of NH <sub>x</sub> in the presence of water   |         |
| OH + NH → H + HNO  | (R3.49) |
| OH + NH <sub>2</sub> → H <sub>2</sub> O + NH   | (R3.50) |
| OH + NH <sub>3</sub> → H <sub>2</sub> O + NH <sub>2</sub>  | (R3.51) |
| Nitrogen reduction in N <sub>2</sub> + CH <sub>4</sub> mixtures  |         |
| <b>Feedstock (N<sub>2</sub>, CH<sub>4</sub>) activation (N, N*, N<sub>2</sub><sup>*</sup>, N<sub>2</sub><sup>+</sup>, H, H*, H<sub>2</sub><sup>*</sup>, CH<sub>3</sub>, CH<sub>2</sub>, CH, CH*)</b>               |         |
| (R2.1)–(R2.10) (N <sub>2</sub> activation, as described in Table 2)  |         |
| e + CH <sub>4</sub> → products (CH <sub>3</sub> , CH <sub>2</sub> , CH, H, H <sub>2</sub> , C) + e   | (R3.52) |
| N <sub>2</sub> <sup>*</sup> + CH <sub>4</sub> → CH <sub>3</sub> + H + N <sub>2</sub>   | (R3.53) |
| Initial reduction of N: (R3.37) and (R3.40)  |         |
| N* + CH <sub>x</sub> → CH <sub>x-1</sub> + NH  | (R3.54) |
| N* + CH <sub>2</sub> <sup>*</sup> → HCN + NH   | (R3.55) |
| N* + CH → C + NH   | (R3.56) |
| Further hydrogenation: (R3.42) and (R3.44)   |         |
| CH <sub>4</sub> + NH → CH <sub>3</sub> + NH <sub>2</sub>   | (R3.57) |
| CH <sub>4</sub> + NH <sub>2</sub> → CH <sub>3</sub> + NH <sub>3</sub>  | (R3.58) |
| HCN formation (dangerous but value-added chemical (NOT FOR NF))  |         |
| CH <sub>3</sub> + N → HCN + H <sub>2</sub>   | (R3.59) |
| CH <sub>2</sub> + N → HCN + H  | (R3.60) |
| Nitrogen reduction in N <sub>2</sub> + EtOH mixtures   |         |
| <b>Feedstock (N<sub>2</sub>, C<sub>2</sub>H<sub>5</sub>OH) activation (N, N*, N<sub>2</sub><sup>*</sup>, N<sub>2</sub><sup>+</sup>, H, H*, H<sub>2</sub><sup>*</sup>, CH<sub>3</sub>, CH<sub>2</sub>, CH, CH*)</b> |         |
| (R2.1)–(R2.10) (N <sub>2</sub> activation, as described in Table 2)  |         |
| CH <sub>3</sub> CH <sub>2</sub> OH + e/N <sub>2</sub> <sup>*</sup> → CH <sub>3</sub> CH <sub>2</sub> O + H + e/N <sub>2</sub>  | (R3.61) |
| CH <sub>3</sub> CH <sub>2</sub> OH + e/N <sub>2</sub> <sup>*</sup> → CH <sub>3</sub> CHOH + H + e/N <sub>2</sub>   | (R3.62) |
| CH <sub>3</sub> CH <sub>2</sub> OH + e/N <sub>2</sub> <sup>*</sup> → CH <sub>2</sub> CH <sub>2</sub> O + H + e/N <sub>2</sub>  | (R3.63) |
| CH <sub>3</sub> CH <sub>2</sub> OH + e/N <sub>2</sub> <sup>*</sup> → CH <sub>3</sub> CH <sub>2</sub> + OH + e/N <sub>2</sub>   | (R3.64) |
| CH <sub>3</sub> CH <sub>2</sub> OH + e/N <sub>2</sub> <sup>*</sup> → CH <sub>3</sub> + CH <sub>2</sub> OH + e/N <sub>2</sub>   | (R3.65) |
| Initial reduction of N: (R3.37), (R3.40), (R3.3.45) and (R3.54)–(R3.56)  |         |



Table 5 (Contd.)

| Nitrogen reduction in N <sub>2</sub> + EtOH mixtures   |         |
|--|---------|
| CH <sub>3</sub> CH <sub>2</sub> + N* → NH + CH <sub>2</sub> CH <sub>2</sub>                  | (R3.66) |
| CH <sub>3</sub> CH <sub>2</sub> OH + N* → NH + CH <sub>3</sub> CHOH                          | (R3.67) |
| Further hydrogenation: (R3.42), (R3.44), (R3.47), (R3.48), (R3.57) and (R3.58)               |         |
| CH <sub>2</sub> O + NH <sub>2</sub> → HCO + NH <sub>3</sub>                                  | (R3.68) |
| Reverse processes in an N <sub>2</sub> + C <sub>x</sub> H <sub>y</sub> O <sub>z</sub> system |         |
| C <sub>2</sub> H <sub>5</sub> + NH <sub>2</sub> → C <sub>2</sub> H <sub>6</sub> + NH         | (R3.69) |
| CH <sub>3</sub> O + NH <sub>3</sub> → CH <sub>3</sub> OH + NH <sub>2</sub>                   | (R3.70) |

either as a gas, liquid, or vapour as an abundant, green H source for the N<sub>2</sub> reduction process.<sup>108,142</sup> Fig. 3b shows the basic steps leading to NH<sub>3</sub> formation in the N<sub>2</sub> + H<sub>2</sub>O system. In this case, thermal plasmas have been found to be more useful, *e.g.*, in treating a liquid surface.<sup>108</sup> The N<sub>2</sub> and H<sub>2</sub>O activation as well as the precursor formation can occur in the thermal region of the plasma, while hydrogenation may occur in the low-temperature

afterglow. The N<sub>2</sub> activation will follow the reactions (R2.1)–(R2.10) (see Table 2) but predominantly through the interaction with vibrationally excited N<sub>2</sub>(X, v). It is important to note that in the absence of O<sub>2</sub>, H<sub>2</sub>O also simultaneously plays the role of O and H source. Therefore, in N<sub>2</sub> + H<sub>2</sub>O systems, two sets of processes can occur: N<sub>2</sub> reduction, as discussed here, and N<sub>2</sub> oxidation (as previously discussed in Section 3.1).

As mentioned above, for systems with H<sub>2</sub>O, the reaction locus is a subject of debate and likely depends on a specific plasma–liquid configuration. Still, in the case of systems comprised of plasma interacting with a liquid interface, extracting H from the liquid surface is considered the rate-limiting step for NH<sub>3</sub> formation in plasma–liquid systems.<sup>91</sup> To overcome this limitation, an additional activation mechanism *via* ultraviolet (UV) radiation of the water surface is a way used to increase the available H<sup>+</sup> at the plasma/liquid interface through H<sub>2</sub>O<sub>aq</sub> → H<sub>aq</sub><sup>+</sup> + OH<sub>aq</sub><sup>-</sup> (120–170 nm, (R3.16) in Table 4), resulting in a more efficient hydrogenation. It can increase NH<sub>4</sub><sup>+</sup> formation (up to 4 fold) compared to conditions without UV.<sup>91,95,113</sup>

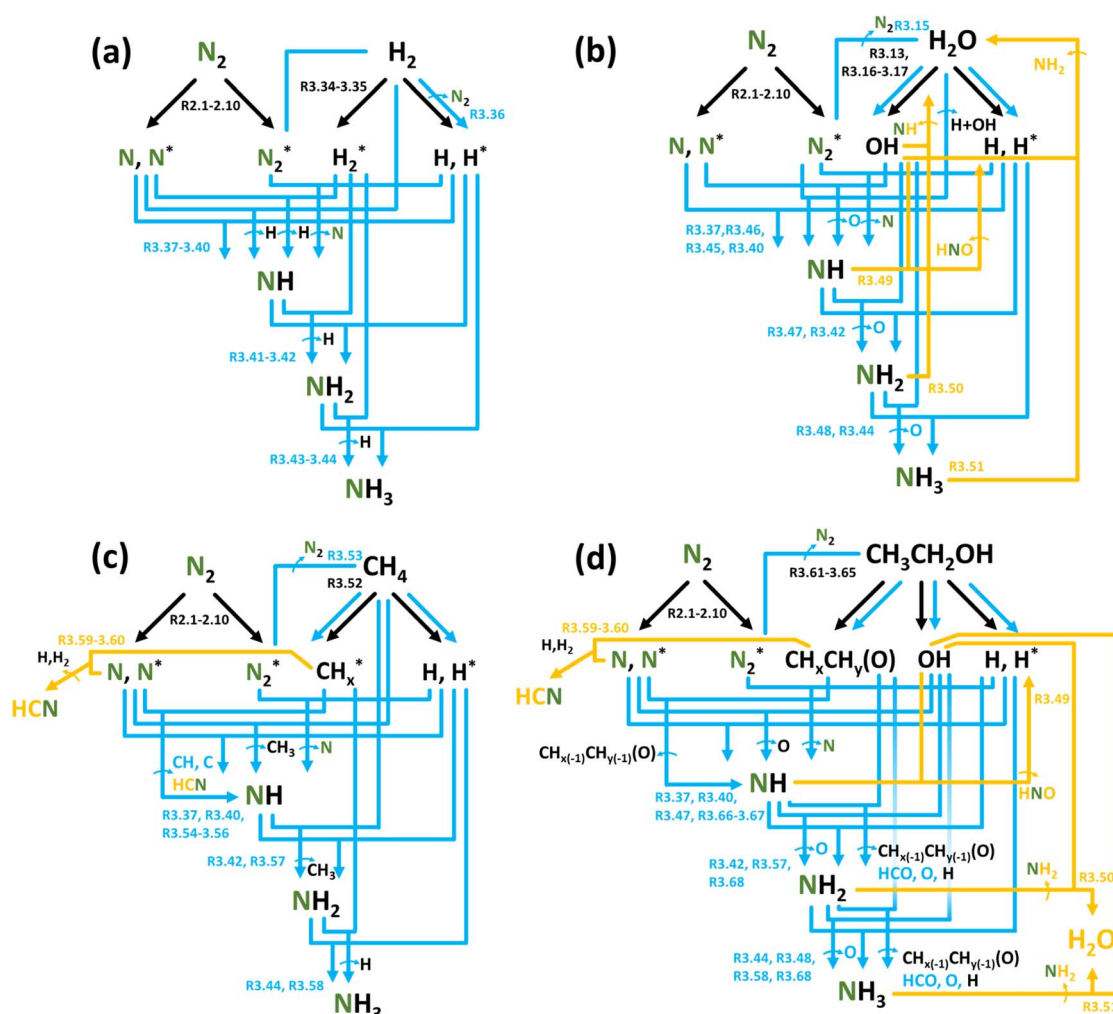


Fig. 3 Reaction diagrams of the N<sub>2</sub> reduction processes in (a) N<sub>2</sub> : H<sub>2</sub>, (b) N<sub>2</sub> + H<sub>2</sub>O, (c) N<sub>2</sub> + CH<sub>4</sub>, (d) and N<sub>2</sub> + EtOH feedstocks. Black, blue, and yellow arrows indicate electron impact reactions, forward reactions, and reverse reactions, respectively.



Table 6 Typical examples of plasma NF processes and their metrics (energy cost, production rate)

| Type of NF   | Plasma type  | Energy cost [MJ mol <sup>-1</sup> ] |                 | Production rate [mg h <sup>-1</sup> ] |                 | Employment details  |
|--|--|-------------------------------------|-----------------|---------------------------------------|-----------------|---|
|  |  | NH <sub>3</sub>                     | NO <sub>x</sub> | NH <sub>3</sub>                       | NO <sub>x</sub> |   |
| <b>N<sub>2</sub> + O<sub>2</sub>(air)</b>                      |  |                                     |                 |                                       |                 |   |
| Oxidation  | Pulsed DC spark <sup>83</sup>                                    | —                                   | 0.4             | —                                     | 300             | In air  |
|  | DC glow <sup>129</sup>   | —                                   | 2.8             | —                                     | 1900            | In air  |
|  | Low-current coaxial plasmatron <sup>130</sup>                    | —                                   | 3.4             | —                                     | 3000            | In air  |
|  | Thermal arc <sup>131</sup>                                       | —                                   | 10.5            | —                                     | 128 000         | In air  |
|  | Rotating GA <sup>50</sup>  | —                                   | 2.3             | —                                     | 32 000          | In air. 3 barg  |
|  | Rotating GA <sup>50</sup>  | —                                   | 1.8             | —                                     | 68 900          | N <sub>2</sub> :O <sub>2</sub> 1:1.3 barg   |
| <b>N<sub>2</sub> + H<sub>2</sub></b>                           |  |                                     |                 |                                       |                 |   |
| Reduction  | DBD <sup>132</sup>   | 102                                 | —               | 154                                   | —               | No cat  |
|  | DBD + cat <sup>133</sup>   | 437                                 | —               | 8 <sup>a</sup>                        | —               | Ni/Al <sub>2</sub> O <sub>3</sub> cat   |
|  | DBD + cat <sup>134</sup>   | 74                                  | —               | 25.5 <sup>a</sup>                     | —               | Co-Ni/Al <sub>2</sub> O <sub>3</sub> cat  |
|  | DBD + cat <sup>135</sup>   | 32                                  | —               | 38 <sup>a</sup>                       | —               | Ru/Al <sub>2</sub> O <sub>3</sub> cat   |
|  | DBD + cat <sup>136</sup>   | 58                                  | —               | 75 <sup>a</sup>                       | —               | Ni-Mg/SBA-15-IWI cat  |
|  | DBD + cat <sup>121</sup>   | 80                                  | —               | 40 <sup>a</sup>                       | —               | CoCe or CoLA cat  |
| <b>N<sub>2</sub> + H<sub>2</sub>O</b>                          |  |                                     |                 |                                       |                 |   |
| Reduction and oxidation  | DBD jet + H <sub>2</sub> O droplets <sup>92</sup>                | 7854                                | 3010            | 0.2                                   | 3.1             | In liquid   |
|  | GA + above H <sub>2</sub> O <sup>69</sup>                        | 2601                                | 1579            | 0.6                                   | 6.1             | In liquid   |
|  | Spark jet + above water <sup>93</sup>                            | 52                                  | 187             | 0.2                                   | 0.2             | In liquid   |
|  | Spark jet + H <sub>2</sub> O vapour <sup>103</sup>               | 771                                 | 73              | 0.2                                   | 2.3             | In gas phase  |
| <b>N<sub>2</sub> + C<sub>x</sub>H<sub>y</sub>O<sub>z</sub></b> |  |                                     |                 |                                       |                 |   |
| Reduction and oxidation  | Packed bed-DBD in N <sub>2</sub> + CH <sub>4</sub> <sup>65</sup> | 2.7                                 | —               | 5210                                  | —               | Borosilicate glass beds   |
|  | N <sub>2</sub> jet above H <sub>2</sub> O + EtOH <sup>113</sup>  | 352                                 | 9534            | 52                                    | 5.3             | In liquid 20 vol% aqueous EtOH solution   |
| <b>N<sub>2</sub> + O<sub>2</sub>(air) + H<sub>2</sub>O</b>     |  |                                     |                 |                                       |                 |   |
| Oxidation and reduction  | Plasma electrolytic system <sup>137</sup>                        | 14.1                                | 8.6             | 3                                     | —               | 0.1 M PBS with 500 ppm NO <sub>2</sub> <sup>-</sup>   |
|  | Hybrid plasma-electrocatalytic system <sup>138</sup>             | 15.5                                | 13.7            | 23.2                                  | 0.3             | In liquid, Cu nanowires cat   |
|  | Hybrid plasma-electrocatalytic system <sup>139</sup>             | —                                   | 117             | 3                                     | 69              | In liquid, LaFeO <sub>3</sub> cat., 0.1 M KOH el  |
|  | Hybrid plasma-electrocatalytic system <sup>140</sup>             | 40.5                                | 40.2            | 39.6                                  | 5.9             | In liquid, Co <sub>3</sub> O <sub>4</sub> nanoparticles cat., 0.11 M NO <sub>x</sub> <sup>-</sup> + 1 M NaOH el |
|  | Hybrid plasma-electrocatalytic system <sup>141</sup>             | 3.1                                 | 2.4             | 3                                     | 1               | In liquid Co Sas/N-C cat. 0.1 M KOH el  |
|  | Hybrid plasma-electrocatalytic system <sup>141</sup>             | 3.1                                 | 2.4             | 3                                     | 1               | In liquid Co Sas/N-C cat. 0.1 M KOH el  |

<sup>a</sup> Production rates reported in mg per hour per g of a catalyst; “In liquid” or “in gas” highlights where the products were observed. Abbreviations “cat.” and “el.” stand for catalyst and electrolyte, respectively

Unfortunately, although N<sub>2</sub> + H<sub>2</sub>O plasma systems are characterized by a rich environment with a variety of reactive species, namely additional OH and H<sub>2</sub>O<sub>2</sub>, these species also have negative effects on NH<sub>3</sub> or NH<sub>4</sub><sup>+</sup> generation from a physical and chemical point of view. First of all, the presence of water in the plasma zone initiates the quenching of vibrationally excited N<sub>2</sub>(X, v) and electronically excited N<sub>2</sub>(E).<sup>78,99,110</sup> This decreases the N<sub>2</sub> activation efficiency. Secondly, at non-thermal conditions, OH is “wasted” on H<sub>2</sub>O<sub>2</sub> generation instead of contributing to NH<sub>3</sub> production, while at thermal conditions, OH radicals can trigger reverse reactions ((R3.49)–(R3.51), Table 5), which negatively affects NH and NH<sub>2</sub> generation.<sup>96</sup> Furthermore, even assuming the complete two-step dissociation of H<sub>2</sub>O into H + H + O ((R3.13)–(R3.15) and (R3.17)) from which both H react to form NH<sub>x</sub>, the required O–H bond dissociation energy in H<sub>2</sub>O is 4.81 eV (464 kJ mol<sup>-1</sup>), whereas in H<sub>2</sub> it is 4.52 eV

(436 kJ mol<sup>-1</sup>). This means that to produce the same amount of NH<sub>3</sub>, more energy is inherently required when using H<sub>2</sub>O instead of H<sub>2</sub>. This is clearly seen when looking at the performance of N<sub>2</sub> + H<sub>2</sub>O plasma systems with respect to their N<sub>2</sub> + H<sub>2</sub> counterparts presented in Table 6, where the EC is two orders of magnitude higher, and the PR is two orders of magnitude lower for N<sub>2</sub> + H<sub>2</sub>O systems.

Interestingly, N<sub>2</sub> + H<sub>2</sub>O reduction with H<sub>2</sub>O vapor in the presence of a catalyst in a DBD plasma can reduce the contribution of the oxidation pathway and increase the contribution of the reduction pathway.<sup>143</sup> However, the practical importance of these systems for N<sub>2</sub> reduction is low due to the high EC and low PR.<sup>128</sup>

**4.2.3 Nitrogen reduction in N<sub>2</sub> + C<sub>x</sub>H<sub>y</sub>O<sub>z</sub> mixtures.** Alternative hydrogen sources have also been explored for NH<sub>3</sub> synthesis. Approximately 50% of the costs in NH<sub>3</sub> production at



HB plants are attributed to H<sub>2</sub> production from methane (CH<sub>4</sub>) steam reforming. Direct conversion of CH<sub>4</sub> without steam reforming could have significant economic benefits. Consequently, direct plasma-based conversion of N<sub>2</sub> + CH<sub>4</sub> appears to be an appealing alternative for NH<sub>3</sub> synthesis, as well as for H<sub>2</sub> and olefins production. Bioethanol (bio-EtOH) is another interesting candidate as a hydrogen carrier in the form of C–H and O–H radicals.<sup>91,144</sup> It is commonly made from agricultural crops such as corn, sugarcane, wheat, or switchgrass, as well as from organic waste materials, food waste, or forestry residues. However, neither CH<sub>4</sub> nor EtOH aligns with the initial concept of green NF because they contain carbon contradicting with the decarbonization goals of the EU. An interesting pathway to reduce C-footprint of NF is H-source from plastic waste which is currently under its primary development. Nevertheless, the NH<sub>3</sub> formation chemistry in N<sub>2</sub> + CH<sub>4</sub> or EtOH mixtures has a scientific interest because value-added side products can also be formed (H<sub>2</sub>, C<sub>x</sub>H<sub>y</sub>), expanding the plasma technology applications.<sup>145</sup> Thus, NF with alternative H sources will be briefly introduced here.

NH<sub>3</sub> formation in hydrocarbon-containing gas mixtures or plasma/liquid systems is poorly investigated but has recently received considerable scientific attention. The major problem lies in the low process selectivity towards NH<sub>3</sub> due to the complexity of plasma-initiated reactions with the involvement of numerous highly reactive species forming various side products of low importance for NF.<sup>146</sup>

Evidently, the reaction set expands in the presence of CH<sub>4</sub> as shown in Fig. 3c and Table 5, and the plasma-induced chemistry of CH<sub>4</sub> activation, (R3.52) and (R3.53), can be strongly affected by a variety of parameters: pressure, reactor geometry, and the type of plasma. In plasmas of high *E/n* value, like a DBD, CH<sub>4</sub> activation mainly occurs *via* electron impact reactions and interaction with electronically excited heavy particles. In “warm” plasmas of medium-range *E/n*, such as a GA, thermal dissociation of CH<sub>4</sub> is expected to be predominant (CH<sub>3</sub> →<sup>heat</sup> products). However, under high-temperature conditions, NH<sub>3</sub> formation is highly unlikely, and thus, it is expected to occur only in the lower-temperature plasma compartments, *e.g.*, in the afterglow zone.

Another significant feature of N<sub>2</sub> + CH<sub>4</sub> plasmas is the formation of hydrogen cyanide (HCN), *e.g.* (R3.55), (R3.59) and (R3.60).<sup>147,148</sup> HCN is extremely toxic and poses a significant risk of rapid harm. Its concentration in N<sub>2</sub> + CH<sub>4</sub> plasmas can be comparable to or even higher than the concentration of NH<sub>3</sub>.<sup>149</sup> Consequently, stringent safety measures are essential when dealing with such an NF method. Nonetheless, HCN is also a value-added chemical, and its synthesis is a topic of many studies.<sup>150</sup>

Alcohols, including EtOH can also be potentially utilized for NH<sub>3</sub> production (see Fig. 3d and Table 5 for details), being introduced into the plasma zone through various means such as vapor, steam, or liquid interface. In plasma, it undergoes activation *via* electron impact and N<sub>2</sub> excited states (R3.61)–(R3.65) and consequent product recombination, yielding a range of reactive species, including CH<sub>3</sub>, H, OH, H<sub>2</sub>, CH<sub>3</sub>CHOH, *etc.*, ultimately resulting in the production of H<sub>2</sub>, CO, CO<sub>2</sub>, NH<sub>3</sub>, C,

and other products.<sup>151–153</sup> The selectivity towards particular species is the subject of numerous studies and is significantly influenced by experimental conditions (pressure, gas mixture composition), plasma type (non-thermal, warm, thermal), and the presence of different phases (gas, liquid, solid (catalyst)). Some of the possible routes of NH<sub>3</sub> formation specific to ethanol are described below. Given the low evaporation temperature of EtOH (351 K at atmospheric pressure), the gas phase is always enriched by gaseous EtOH. Considering this, thermal activation mechanisms must also be considered (CH<sub>3</sub>CH<sub>2</sub>OH →<sup>heat</sup> products).<sup>154</sup> Overall, exposing plasma above liquid EtOH-water mixtures can enhance the production rate of NH<sub>4</sub><sup>+</sup>. This is generally attributed to the increased lability of the H atom and OH radical at the central CH<sub>2</sub> group (R3.61)–(R3.64).<sup>113</sup>

To summarize, plasma-based NH<sub>3</sub> synthesis in N<sub>2</sub> + C<sub>x</sub>H<sub>y</sub>O<sub>z</sub> feedstock systems is feasible, but the process selectivity strongly depends on the type of plasma. Under non-thermal and strongly non-equilibrium conditions, where activation primarily occurs through non-elastic collisions (as in DBDs), NH<sub>3</sub> can be generated in significant quantities in the gas phase for the N<sub>2</sub> + CH<sub>4</sub> system and promoted in the liquid phase (comparing N<sub>2</sub> + H<sub>2</sub>O and N<sub>2</sub> + H<sub>2</sub>O + EtOH), as illustrated in Table 6. However, under elevated temperature conditions (such as GA and MW), the selectivity shifts towards the generation of H<sub>2</sub>, olefins, and C (soot). This shift is likely due to reverse processes with highly temperature-dependent reaction rate constants, *e.g.*, (R3.69) and (R3.70), and NH<sub>3</sub> thermal decomposition.

#### 4.2.4 Nitrogen reduction in N<sub>2</sub> + O<sub>2</sub> (air) + H<sub>2</sub>O mixtures.

From an application standpoint, the most desirable scenario for nitrogen reduction involves utilizing air as a source of nitrogen since it is readily available in abundance. However, transitioning from pure N<sub>2</sub> to an air plasma leads to a dramatic decrease in NH<sub>3</sub> production.<sup>91</sup> Moreover, the selectivity of NF shifts towards N<sub>2</sub> oxidation, as detailed in Section 3.1. In fact, in nearly all works found in literature, the only products of the N<sub>2</sub> + O<sub>2</sub>(air) + H<sub>2</sub>O reactive plasma systems are NO<sub>x</sub> and HNO<sub>x</sub>.<sup>108</sup> Nonetheless, NH<sub>3</sub> formation may occur even in N<sub>2</sub> + O<sub>2</sub> (air) + H<sub>2</sub>O systems, with and without a catalyst. However, the two examples to date focus either on DBD plasma catalysis with H<sub>2</sub>O vapor or pulsed spark plasma with a very low duty cycle (*i.e.*, inherently low throughput).<sup>103,155</sup> Thus, such a direct one-step plasma N<sub>2</sub> reduction approach demonstrates poor performance in terms of both PR and EC, rendering it impractical. Still, some of these works reveal an important point to consider: if the plasma feed gas contains large amounts of H<sub>2</sub>O vapor, the formed NH<sub>3</sub> will react with the formed HNO<sub>2</sub>, yielding NH<sub>4</sub>NO<sub>2</sub>, which is unstable at ambient conditions and decomposes back to N<sub>2</sub>, and H<sub>2</sub>O.<sup>103</sup> Thus, a high humidity content can be detrimental to plasma NF *via* oxidation into NO<sub>x</sub>.

To conclude this section, NH<sub>3</sub> formation chemistry across various feedstocks, including N<sub>2</sub> + H<sub>2</sub>, N<sub>2</sub> + H<sub>2</sub>O, N<sub>2</sub> + C<sub>x</sub>H<sub>y</sub>O<sub>z</sub>, and N<sub>2</sub> + O<sub>2</sub>(air) + H<sub>2</sub>O is also examined. The proposed reaction schemes offer simplified representations, enabling an understanding of fundamental mechanisms. However, plasma-induced chemistry poses prediction challenges, involving hundreds to thousands of chemical reactions. Nonetheless,



analysis suggests that process selectivity is influenced by feed-stock activation; the more energy demanding the activation, the higher the EC and the lower the PR. Furthermore, the presence of numerous active species complicates the chemistry, presenting both advantages and disadvantages. This includes the potential for enhanced initial reduction pathways (to form  $\text{NH}_3$ ), as well as the risk of reverse processes, especially pronounced at elevated temperatures.

## 5 From plasma nitrogen fixation to $\text{NH}_4\text{NO}_3$ fertilizer

In general, NF processes, including plasma-based approaches, do not directly produce ready-to-use fertilizers but instead generate precursors, or “building blocks”, such as  $\text{NH}_3$  (see Section 3.2) or  $(\text{H})\text{NO}_x$  (see Section 3.1). These core materials serve as essential components in the subsequent synthesis of nitrogen-rich fertilizers that can effectively enhance soil nitrogen content for plant growth. However, due to the wide variety of plant nutrient requirements, this discussion focuses exclusively on nitrogen-based fertilizers. Fertilizers designed to supply other essential elements, such as phosphorus (P) or potassium (K), fall outside the scope of this review.

This subsection aims to provide a broad perspective on the development of plasma-based fertilizer technologies, focusing on general scientific and technological principles rather than delving into economic feasibility or industrial-scale implementation. By narrowing the scope, this part serves as a foundational introduction to the challenges and opportunities in plasma-based fertilizer production, catering specifically to readers who are new to the field. It offers a conceptual framework to understand how plasma technologies can contribute to advancing sustainable agriculture while leaving more detailed discussions on economics and industrialization to specialized studies. For newcomers, this serves as an entry point into the intricate problematics of plasma-

based fertilizer synthesis, setting the stage for more in-depth exploration in future studies.

### 5.1 Targeted fertilizer

The wide variety of synthetic fertilizers employed nowadays ranges from ammonium phosphates or sulphates (where N is present in the cationic form) to nitrates (with N in the anionic form, or both in cationic and anionic form, *i.e.*,  $\text{NH}_4\text{NO}_3$ ) and even organic molecules such as urea (Fig. 4). As already discussed in Section 1, urea, although possessing the highest N content, compromises the decarbonization strategy due to the unavoidable  $\text{CO}_2$  emissions when being used.<sup>156</sup> Of all other fertilizers, ammonium nitrate has the highest N content and is carbon-free. Thus, it is chosen as the target compound in this work to illustrate a plasma-based approach in fertilizer production.

In Sections 3.1 and 3.2, the plasma-driven chemical processes involved in  $\text{N}_2$  oxidation and reduction in various reactive systems, with and without  $\text{O}_2$ ,  $\text{H}_2\text{O}$ , *etc.*, were detailed. However, neither of the two processes (oxidation and reduction) individually leads to the desired fertilizer— $\text{NH}_4\text{NO}_3$ .

### 5.2 Possible pathways of $\text{NH}_4\text{NO}_3$ synthesis involving electrified plasma technology

Here, we will focus on the ways of obtaining  $\text{NH}_4\text{NO}_3$ , which involve plasma NF to substitute, or at least reduce the contribution of the industry-dominating HB. So far, the majority of the researchers have focused on improving  $\text{NO}_x$  and  $\text{NH}_3$  synthesis separately to achieve the best process performance in terms of lowest EC and highest PR. Often, these two parameters are counter-effective: the lowest EC is accompanied by low PR and *vice versa*, with a proper balance yet to be found. This bottleneck must be solved to achieve a wide application of this technology.

## Synthetic Nitrogen Fertilizer Chain



Fig. 4 Commonly used fertilizers, their production pathways and conditions, and nitrogen content.



Let us first consider several pathways of  $\text{NH}_4\text{NO}_3$  production involving plasma NF. Considering the demands of the agricultural sector and the capacity of plasma technology to facilitate the synthesis of both  $\text{HNO}_3$  and  $\text{NH}_3$ , the in-place production of  $\text{NH}_4\text{NO}_3$  can be accomplished if “green” energy supplies are available directly on the farm field. For the  $\text{NH}_4\text{NO}_3$  production, the process can be subdivided into two steps, namely (i)  $\text{HNO}_3$  and (ii)  $\text{NH}_3$  generation. Techno-economic analysis of the approach has been carried out recently, showing importance of energy costs of NF in the overall value chain of fertilizers synthesis.<sup>157</sup>

Naturally, the most direct alternative to HB is the direct synthesis of  $\text{NH}_3$  and its subsequent partial oxidation to  $\text{HNO}_3$ , followed by combining  $\text{NH}_3$  and  $\text{HNO}_3$  into  $\text{NH}_4\text{NO}_3$  as the ultimate output product (Fig. 5a). As discussed in Section 3, the route using C-containing H sources is not feasible in the long term within the new decarbonization policies. Therefore, the reduction agents are limited to  $\text{H}_2$  and  $\text{H}_2\text{O}$ . Furthermore, the choice of plasma type is also restricted to highly non-equilibrium, non-thermal plasmas – e.g., DBD. However, DBD plasmas, even in combination with catalysts, typically have a low throughput and high EC. The EC usually belongs in the range of 10–100  $\text{MJ mol}^{-1}$  (Table 6), while the estimated requirement for plasma NF to be competitive with HB is 1–1.5  $\text{MJ mol}^{-1}$ .<sup>17,18,128</sup> Moreover, since  $\text{NH}_3$  cannot be used as a fertilizer as-is, it would need to be further oxidized into  $\text{HNO}_3$ . Although distillation of  $\text{N}_2$  from the air is not strictly needed because  $\text{NH}_3$  can also be produced by plasma from the air with,

e.g.,  $\text{H}_2\text{O}$  as the H source, the EC and PR values remain below the required levels. Thus, such a route is not the most feasible.

An alternative route involves the production of  $\text{NH}_3$  via the aforementioned plasma  $\text{N}_2$  reduction and (separately) production of  $\text{NO}_x/\text{HNO}_3$ , which can later be combined with  $\text{NH}_3$  to produce  $\text{NH}_4\text{NO}_3$  (Fig. 5b). Here, the production of  $\text{NO}_x$  can be done from air in direct plasma  $\text{N}_2$  oxidation. This oxidative plasma NF can be performed in a variety of ways, which are described in detail in Section 3.1 and can be implemented in non-equilibrium plasmas such as GA, DC arc, and MW. However, it should be emphasized that plasma  $\text{N}_2$  oxidation of dry air in more thermal plasmas has the lowest EC and the highest PR of all reported routes of plasma-based NF ( $\sim 2.3 \text{ MJ mol}^{-1}$ ,  $\sim 3.2 \text{ g h}^{-1}$ , Table 6).<sup>50,131</sup> Moreover, the data presented in Table 6 for  $\text{N}_2 + \text{O}_2$  systems is for systems with air ( $\text{N}_2 : \text{O}_2$  ratio 4 : 1), whereas with oxygen-enriched mixtures, the values of EC and PR can be further improved,<sup>42,50</sup> although at the EC of oxygen production. The plasma-formed  $\text{NO}_x$  can be further dissolved in  $\text{H}_2\text{O}$ , which, in the presence of unreacted  $\text{O}_2$  from the air, results ultimately in an  $\text{HNO}_3$  solution. Here, two other points must be also addressed. Although technically,  $\text{HNO}_3$  can be formed directly in the liquid phase when creating direct contact between liquid  $\text{H}_2\text{O}$  and plasma, part of the energy is inevitably lost to the evaporation of  $\text{H}_2\text{O}$  and the quenching of excited  $\text{N}_2$ , which has a negative impact on the EC.<sup>101,158</sup> Thus, although this route has a higher electrification potential due to the strong feasibility of using plasma for  $\text{N}_2$  oxidation than the

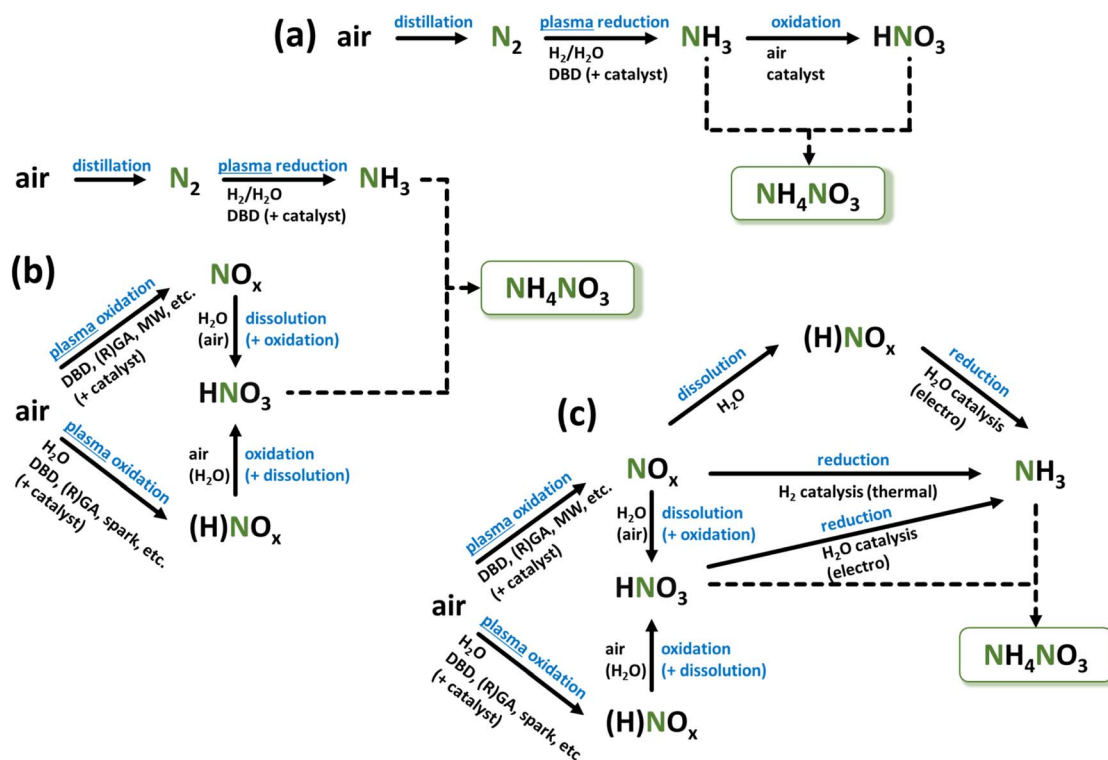


Fig. 5 Pathways of  $\text{NH}_4\text{NO}_3$  production via plasma-based NF: (a) plasma production of  $\text{NH}_3$  coupled with its subsequent (partial) oxidation to  $\text{HNO}_3$ ; (b) plasma production of  $(\text{H})\text{NO}_x$  coupled with plasma-based production of  $\text{NH}_3$ ; (c) plasma production of  $(\text{H})\text{NO}_x$  coupled with its subsequent (partial) reduction to  $\text{NH}_3$ .



one described in Fig. 5a, direct plasma-based  $N_2$  reduction is still a limiting factor.

A plasma-based pathway to  $NH_4NO_3$ , which does not involve plasma  $N_2$  reduction, is shown in Fig. 5c. Here, the only substrate is air, without the need for distillation of  $N_2$ . Air is used to produce  $NO_x$  using warm (or thermal) plasmas, which have significantly higher throughput and lower EC than non-thermal (e.g., DBD) plasmas. After this, the  $NO_x$  needs to be reduced to  $NH_3$ . One of the ways proposed in the literature is thermocatalytic over-reduction of  $NO_x$  over lean  $NO_x$  trap catalysts commonly used in the automotive industry in the presence of  $H_2$ .<sup>24,159</sup> Such a process does not require a separation step because the catalyst acts as a  $NO_x$  adsorber itself. However, it does require producing  $H_2$  first, either from  $CH_4$  (again, compromising decarbonization) or from the electrolysis of  $H_2O$ , and a heat source to activate the thermocatalytic reaction.<sup>24</sup> Although a very low EC was reported for such a combined plasma oxidation/thermocatalytic reduction process, this EC is accompanied by a low PR (2.1 MJ mol<sup>-1</sup>, 17.3 mg h<sup>-1</sup>; Table 6), and the activity range may be limited to low concentrations of the initially plasma-produced  $NO_x$ .

Here, it is acknowledged that if the goal is fertilizers without producing  $NH_4NO_3$  specifically, the plasma  $N_2$  oxidation step is nearly sufficient to produce nitrates, which already possess fertilizer properties. However, to turn them from acidic solutions into applicable fertilizers, neutralization is still required, e.g., with caustic soda or other chemicals. This, together with the increased N content of  $NH_4NO_3$ , makes it a more desirable product.

### 5.3 From plasma oxidation to electrochemical reduction

Electrochemical reduction of the plasma-produced  $NO_x$  is another alternative way to  $NH_3$ .<sup>38,118,160</sup> The electrochemical reduction is normally carried out in a two-compartment H-type cell, where an ion-exchange membrane separates both compartments.<sup>161</sup> The cell is typically equipped with a three-electrode configuration: a working electrode, where the reduction occurs; a counter electrode, which provides the current needed for the reaction; and a reference electrode, which monitors the electrode potential. A catalyst, often in the form of nanoparticles or single atoms, is immobilized on the surface of the working electrode or dispersed within the electrolyte solution. It serves to lower the activation energy barrier for the reduction reactions, thereby increasing the reaction rate and improving selectivity. A typical performance of hybrid plasma-electrocatalytic systems is presented in Table 6. The EC in such systems is the sum of  $N_2$  oxidation and  $N_2$  reduction steps, performed in series *via* plasma and electrochemical approaches, respectively. The electrocatalytic  $NO_x$  into  $NH_3$  process illustrates the best state-of-the-art EC values, ranging between 3–15 MJ per mol  $NH_3$ , and reasonable PRs for laboratory scale systems.

Electrochemical reduction reactions are well-known and do not specifically involve plasma chemistry. Therefore, these are not addressed here. However, it should be noted that although  $HNO_3$  in an aqueous solution can be reduced to  $NH_3$ , the

reduction of  $HNO_2$  occurs faster.<sup>137</sup> The ratio of  $HNO_2/HNO_3$  in the water after passing the plasma exhaust gasses through it depends on the initial ratio of  $NO/NO_2$  produced during plasma  $N_2$  oxidation and can be controlled by varying plasma parameters. Thus, several concepts can be proposed. In one, the plasma-produced  $NO_x$  mixture is dominated by  $NO_2$ , which, accompanied by continuous recirculation through a water solution with  $O_2$  from the air, forms  $NO_3^-$  in the solution. Without any separation steps, this  $NO_3^-$  is further partially reduced electrochemically to  $NH_4^+$ , in the same solution. Such one-pot synthesis is the simplest on-site fertilizer production concept, utilizing only renewable energy (plasma and electrochemical cells can be powered by, e.g., solar panels) and ubiquitous materials such as air and water. On the other hand, if the  $NO_x^-$  containing plasma output stream contains lower fractions of  $NO_2$ , the liquid phase can be shifted to mostly  $NO_2^-$ , which requires less energy to be reduced to  $NH_4^+$ . To avoid dividing the  $NO_x$  stream to produce  $HNO_3$  in one of them and  $HNO_2$ -to- $NH_3$  in another, one can envision that  $NO_2^-$  is first partially reduced to  $NH_4^+$ , and then the remaining  $NO_2^-$  in the solution is oxidized to  $NO_3^-$  by recirculating air through it. Of course, at this stage, the comparison between the two concepts is purely speculative: the exact values of EC and PR of the whole process need to be assessed in dedicated future works.

## 6 Conclusion and Outlook

This tutorial discusses the fundamentals of plasma-based nitrogen fixation for fertilizers as a sustainable alternative to conventional methods. Through this work, the reader can acquire knowledge about elementary processes in plasmas (Section 2), the role of vibrational excitation (Section 2), the chemistry of nitrogen oxidation (Section 3.1) and nitrogen reduction (Section 3.2) in various feedstocks, and how these processes can be integrated to produce the final product – a fertilizer (Section 4). Finally, we provide key conclusions, perspectives, and challenges.

### 6.1 Plasma technology is a sustainable alternative

The nitrogen fertilizer industry aims to meet the demands of modern agriculture while being independent of fossil fuels due to related economic and ecological problems. Given these premises, plasma technology presents an attractive alternative for converting  $N_2$  into nitrogen-based fertilizers in a manner that aligns with current sustainability goals. However, implementing the plasma-based approach necessitates a reconsideration of the existing soil fertilization paradigm, specifically a pivotal shift from large-scale centralized production to on-site direct synthesis. This shift is highly challenging, but the potential collective benefits could be immense. In this approach, valuable nitrogen species ( $NO_3^-$  and/or  $NH_4^+$ ) do not require separation or recycling, thereby reducing associated energy costs. Instead, they can be synthesized directly from inexpensive feedstock (air) using plasma oxidation or reduction processes, as described in previous sections, and applied shortly thereafter.



## 6.2 Which type of plasma should be used?

So far, warm plasmas show the best EC and NO<sub>x</sub> yield. This is often attributed to a significant vibration excitation of N<sub>2</sub>. However, the contribution of vibrational states to NO production in such plasmas is still unclear and, based on modeling, often considered to be comparable with thermal N<sub>2</sub> dissociation. Thus, an experimental study investigating the N<sub>2</sub> vibrational excitation degree in atmospheric pressure air plasmas is of high interest and can provide insights into non-thermal plasma chemistry. The enhancement of vibrational excitation can be achieved by tailoring the applied voltage waveform, *e.g.*, combining ns-pulses with DC bias and ns-pulses with RF or MW, leading to a unique unrivaled chemistry.

## 6.3 Challenges in plasma-based reduction

In contrast to HB's industrial scale N<sub>2</sub> processing to NH<sub>3</sub>, the plasma-initiated reduction route is less developed and studied. The underlying chemistry of reduction is based on the reaction of very short-lived intermediates, such as OH, NH, and N radicals, particles difficult to detect. The future direction of research should tackle the complex chemical kinetics behind N<sub>2</sub> reduction to reveal the full potential of this route in NF.

## 6.4 Complexities in liquid phase processes

Although water is recognized as a green source of hydrogen, the challenges of enhancing plasma nitrogen fixation become even greater when liquids are present in the process environment. A combined oxidation and reduction process can take place both in the gas and liquid phases, complicating pathway elucidation. Insight into mechanisms is lacking, and there is no consensus on the role of H<sub>2</sub>O. In addition, the transport of plasma species into the liquid is poorly understood.

## 6.5 Plasma-catalytic processes

As a possibility in both reduction and oxidation routes in NF, the plasma-catalytic approach is an important step toward industrial applications. It is well known that catalysts cannot directly facilitate N<sub>2</sub> dissociation under milder conditions due to the inherent stability of the nitrogen triple bond. However, plasma-based nitrogen oxidation can still be aided by promoting O<sub>2</sub> dissociation *via* heterogeneous catalysts. Atomic O-enriched medium can positively contribute to NO<sub>x</sub> formation by boosting the Zeldovich mechanism that can take place on the surface of a catalyst. Despite foreseen benefits in plasma-catalytic processes, the best-performing catalysts have to be yet defined and tested in industry-relevant conditions.

## 6.6 Perspective and challenges

Based on the current state-of-the-art, it has been indicated that the most attractive route to the on-site, small-scale, decentralized production of NH<sub>4</sub>NO<sub>3</sub> for fertilizer applications is initial plasma oxidation directly from air, followed by accumulating the products in aqueous solutions (in the form of HNO<sub>x</sub>), and their subsequent electrochemical or catalytical reduction. Moreover, the oxidation and reduction steps can be time-

differentiated to accommodate the difference in the production rate in each step. Another important feature of such a combined plasma oxidation/electrocatalytic reduction approach is that the resulting product, NH<sub>4</sub>NO<sub>3</sub>, is already in solution and ready to be applied on farming sites. In contrast, the centralized HB production implies the distribution of NH<sub>4</sub>NO<sub>3</sub>, which is done in solid form as the most concentrated method to reduce transport costs.<sup>162</sup> However, this, in turn, means the necessity of storage facilities, which, in combination with the explosivity of NH<sub>4</sub>NO<sub>3</sub>, sometimes leads to hugely destructive accidents.<sup>163</sup>

As a final remark, several other approaches to fertilizer production *via* plasma-based NF will be briefly mentioned. Many natural fertilizers (*e.g.*, cattle and pig waste) can be effectively recycled. The manure contains N (2–8.1 g kg<sup>-1</sup>)<sup>164</sup> with an NH<sub>4</sub><sup>+</sup> content of about 70%, which is released over time due to the high pH in the animal waste. This volatilization is estimated in the range of tens of kg per hectare of fertilized soil.<sup>165</sup> Industrial-level attempts, including recent research in N<sub>2</sub> applied, are made to reduce such NH<sub>3</sub> losses by producing NO<sub>x</sub> *via* plasma N<sub>2</sub> oxidation from the air and further applying this NO<sub>x</sub> to create NH<sub>4</sub>NO<sub>3</sub> in the waste slurry.<sup>166,167</sup>

Overall, plasma technology enables a large variety of approaches, directions, and possibilities in NF for fertilizers, making them compatible with the electrification and decarbonization policies. The NH<sub>4</sub>NO<sub>3</sub> synthesis routes discussed in this work (see Section 4 for details) have a solid foundation and should be the focus of future investigations. Beyond fundamental scientific information, a detailed techno-economic analysis of the proposed approaches can reveal the potential capital costs of the product.<sup>17,18,168–171</sup>

## Data availability

No experimental data were used in the preparation of this manuscript.

## Author contributions

M. Gromov: conceptualization, data curation, investigation, formal analysis, visualization, writing – original draft, writing – review & editing. Y. Gorbanev: conceptualization, data curation, visualization, writing – original draft, writing – review & editing. E. Vervloessem: investigation, formal analysis. R. Morent: funding acquisition, writing – review & editing. R. Snyders: funding acquisition, writing – review & editing. N. De Geyter: funding acquisition, writing – review & editing. A. Bogaerts: funding acquisition, writing – review & editing. A. Nikiforov: conceptualization, data curation, visualization, writing – original draft, writing – review & editing.

## Conflicts of interest

There are no conflicts to declare.



## Acknowledgements

The graphical icons used in the creation of Fig. 1 are from free subscription to Icons8. com. This research was supported by the Excellence of Science FWO-FNRS project NITROPLASM (EOS ID 30505023), and the Fund for Scientific Research (FWO) Flanders Bioeconomy project (grant G0G2322N) funded by the European Union-NextGenerationEU.

## References

- V. Smil, *Sci. Am.*, 1997, 277, 76–81.
- A. H. Sheudzhen, V. T. Kurkaev and N. S. Kotlyarov, *Agrochemistry: Textbook*, Afisha, Moscow, 2nd edn, 2006, vol. 2 (In Russian).
- D. E. Canfield, A. N. Glazer and P. G. Falkowski, *Science*, 2010, 330(1979), 192–196.
- C. P. Chanway, R. Anand and H. Yang, in *In Advances in Biology and Ecology of Nitrogen Fixation*, InTechOpen, 2014.
- B. Bergman, G. Sandh, S. Lin, J. Larsson and E. J. Carpenter, *FEMS Microbiol. Rev.*, 2013, 37, 286–302.
- M. M. M. Kuypers, H. K. Marchant and B. Kartal, *Nat. Rev. Microbiol.*, 2018, 16, 263–276.
- V. Smil, *Ambio*, 2002, 31, 126–131.
- J. N. Galloway and E. B. Cowling, *Ambio*, 2002, 31, 64–71.
- J. W. Erisman, M. A. Sutton, J. Galloway, Z. Klimont and W. Winiwarter, *Nat. Geosci.*, 2008, 1, 636–639.
- J. Humphreys, R. Lan and S. Tao, *Adv. Energy Sustainability Res.*, 2021, 2, 2000043.
- M. Kamphus, *Nitrogen + Syngas*, 2014, 328, 48–53.
- V. Hessel, G. Cravotto, P. Fitzpatrick, B. S. Patil, J. Lang and W. Bonrath, *Chem. Eng. Process.*, 2013, 71, 19–30.
- R. M. Nayak-Luke and R. Bañares-Alcántara, *Energy Environ. Sci.*, 2020, 13, 2957–2966.
- B. S. Patil, Q. Wang, V. Hessel and J. Lang, *Catal. Today*, 2015, 256, 49–66.
- J. Baltrusaitis, *ACS Sustain. Chem. Eng.*, 2017, 5, 9527.
- C. Smith, A. K. Hill and L. Torrente-Murciano, *Energy Environ. Sci.*, 2020, 13, 331–344.
- K. H. R. Rouwenhorst, F. Jardali, A. Bogaerts and L. Lefferts, *Energy Environ. Sci.*, 2021, 14, 2520–2534.
- K. H. R. Rouwenhorst, F. Jardali, A. Bogaerts and L. Lefferts, *Energy Environ. Sci.*, 2023, 16, 6170–6173.
- L. R. Winter and J. G. Chen, *Joule*, 2021, 5, 300–315.
- G. Hochman, A. S. Goldman, F. A. Felder, J. M. Mayer, A. J. M. Miller, P. L. Holland, L. A. Goldman, P. Manocha, Z. Song and S. Aleti, *ACS Sustain. Chem. Eng.*, 2020, 8, 8938–8948.
- W. Pittman, Z. Han, B. Harding, C. Rosas, J. Jiang, A. Pineda and M. S. Mannan, *J. Hazard. Mater.*, 2014, 280, 472–477.
- R. Ingels, D. Graves, S. Anderson and R. Koller, in *Proceedings-International Fertiliser Society*, International Fertiliser Society, 2015, pp. 1–28.
- B. S. Patil, F. J. J. Peeters, G. J. van Rooij, J. A. Medrano, F. Gallucci, J. Lang, Q. Wang and V. Hessel, *AiChE J.*, 2018, 64, 526–537.
- L. Hollevoet, E. Vervloessem, Y. Gorbanev, A. Nikiforov, N. De Geyter, A. Bogaerts and J. A. Martens, *ChemSusChem*, 2022, 15, e202102526.
- K. H. R. Rouwenhorst, P. M. Krzywda, N. E. Benes, G. Mul and L. Lefferts, *Ullmann's Encyclopedia of Industrial Chemistry*, 2020, pp. 1–20.
- B. L. Bodirsky, A. Popp, H. Lotze-Campen, J. P. Dietrich, S. Rolinski, I. Weindl, C. Schmitz, C. Müller, M. Bonsch and F. Humpenöder, *Nat. Commun.*, 2014, 5, 3858.
- P. M. Vitousek, J. D. Aber, R. W. Howarth, G. E. Likens, P. A. Matson, D. W. Schindler, W. H. Schlesinger and D. G. Tilman, *Ecol. Appl.*, 1997, 7, 737–750.
- Z. Li, Z. Zeng, D. Tian, J. Wang, Z. Fu, F. Zhang, R. Zhang, W. Chen, Y. Luo and S. Niu, *Global Change Biol.*, 2020, 26, 4147–4157.
- N. Cherkasov, A. O. Ibhadon and P. Fitzpatrick, *Chem. Eng. Process.*, 2015, 90, 24–33.
- A. Nuntagij, C. de Lassus, D. Sayag and L. André, *Biol. Wastes*, 1989, 29, 43–61.
- S. Gouda, R. G. Kerry, G. Das, S. Paramithiotis, H.-S. Shin and J. K. Patra, *Microbiol. Res.*, 2018, 206, 131–140.
- A. O. Gezerman, *KUI, med. kratika Kem. Ind.*, 2022, 71, 57–66.
- K. H. R. Rouwenhorst, S. Mani and L. Lefferts, *ACS Sustain. Chem. Eng.*, 2022, 10, 1994–2000.
- K. H. R. Rouwenhorst, Y. Engelmann, K. Van't Veer, R. S. Postman, A. Bogaerts and L. Lefferts, *Green Chem.*, 2020, 22, 6258–6287.
- V. D. Rusanov, A. A. Fridman and G. V. Sholin, *Sov. Phys.-Usp.*, 1981, 24, 447–474.
- S. Huang, W. Lv, S. Bloszies, Q. Shi, X. Pan and Y. Zeng, *Field Crops Res.*, 2016, 192, 118–125.
- H. Chen, D. Yuan, A. Wu, X. Lin and X. Li, *Waste Dispos. Sustain. Energy*, 2021, 201–207.
- J. Zhang, X. Li, J. Zheng, M. Du, X. Wu, J. Song, C. Cheng, T. Li and W. Yang, *Energy Convers. Manage.*, 2023, 293, 117482.
- S. Li, J. Medrano Jimenez, V. Hessel and F. Gallucci, *Processes*, 2018, 6, 248.
- P. Peng, P. Chen, C. Schiappacasse, N. Zhou, E. Anderson, D. Chen, J. Liu, Y. Cheng, R. Hatzenbeller, M. Addy, Y. Zhang, Y. Liu and R. Ruan, *J. Cleaner Prod.*, 2018, 177, 597–609.
- D. Zhou, R. Zhou, R. Zhou, B. Liu, T. Zhang, Y. Xian, P. J. Cullen, X. Lu and K. Ken) Ostrikov, *Chem. Eng. J.*, 2021, 421, 129544.
- L. R. Winter and J. G. Chen, *Joule*, 2021, 5, 300–315.
- M. Eisa, D. Ragauskaitė, S. Adhikari, F. Bella and J. Baltrusaitis, *ACS Sustainable Chem. Eng.*, 2022, 10, 8997–9001.
- I. Langmuir, *Proc. Natl. Acad. Sci. U. S. A.*, 1928, 14, 627–637.
- C. Tendero, C. Tixier, P. Tristant, J. Desmaison and P. Leprince, *Spectrochim. Acta, Part B*, 2006, 61, 2–30.
- Y. P. Raizer and J. E. Allen, *Gas Discharge Physics*, Springer, Berlin, 1997, vol. 2.
- V. N. Ochkin, *Spectroscopy of Low Temperature Plasma*, John Wiley & Sons, Weinheim, 2009.



- 48 S. Eyde, *Ind. Eng. Chem.*, 1912, **4**, 771–774.
- 49 J. Kenelem, *Bachelor Thesis*, Oregon State University, 1911.
- 50 I. Tsonev, C. O'Modhrain, A. Bogaerts and Y. Gorbanev, *ACS Sustain. Chem. Eng.*, 2023, **11**, 1888–1897.
- 51 C. N. Banwell and E. M. McCash, *Fundamentals of Molecular Spectroscopy*, Indian Edition, 2017.
- 52 D. Burnette, A. Montello, I. V. Adamovich and W. R. Lempert, *Plasma Sources Sci. Technol.*, 2014, **23**, 45007.
- 53 M. Uddi, N. Jiang, I. V. Adamovich and W. R. Lempert, *J. Phys. D Appl. Phys.*, 2009, **42**, 075205.
- 54 C. Richards, E. Jans, I. Gulko, K. Orr and I. V. Adamovich, *Plasma Sources Sci. Technol.*, 2022, **31**, 034001.
- 55 E. R. Jans, K. Frederickson, T. A. Miller and I. V. Adamovich, *J. Mol. Spectrosc.*, 2019, **365**, 111205.
- 56 A. Montello, Z. Yin, D. Burnette, I. V. Adamovich and W. R. Lempert, *J. Phys. D Appl. Phys.*, 2013, **46**, 464002.
- 57 A. Bogaerts and E. C. Neyts, *ACS Energy Lett.*, 2018, **3**, 1013–1027.
- 58 T. Kim, S. Song, J. Kim and R. Iwasaki, *Jpn. J. Appl. Phys.*, 2010, **49**, 126201.
- 59 O. S. Bahnamiri, C. Verheyen, R. Snyders, A. Bogaerts and N. Britun, *Plasma Sources Sci. Technol.*, 2021, **30**, 065007.
- 60 P. Barboun, P. Mehta, F. A. Herrera, D. B. Go, W. F. Schneider and J. C. Hicks, *ACS Sustain. Chem. Eng.*, 2019, **7**, 8621–8630.
- 61 E. Vervloessem, M. Aghaei, F. Jardali, N. Hafezkiabani and A. Bogaerts, *ACS Sustain. Chem. Eng.*, 2020, **8**, 9711–9720.
- 62 J. Liu, L. Nie, D. Liu and X. Lu, *Plasma Processes Polym.*, 2024, **21**, 2300153.
- 63 C. D. Pintassilgo, O. Guaitella and A. Rousseau, *Plasma Sources Sci. Technol.*, 2009, **18**, 025005.
- 64 A. Gómez-Ramírez, A. M. Montoro-Damas, J. Cotrino, R. M. Lambert and A. R. González-Elipse, *Plasma Processes Polym.*, 2017, **14**, e1600081.
- 65 M. Bai, Z. Zhang, M. Bai, X. Bai and H. Gao, *Plasma Chem. Plasma Process.*, 2008, **28**, 405–414.
- 66 J. Hong, S. Praver and A. B. Murphy, *IEEE Trans. Plasma Sci.*, 2014, **42**, 2338–2339.
- 67 J. Hong, S. Pancheshnyi, E. Tam, J. J. Lowke, S. Praver and A. B. Murphy, *J. Phys. D Appl. Phys.*, 2017, **50**, 154005.
- 68 K. H. R. Rouwenhorst, H.-H. Kim and L. Lefferts, *ACS Sustain. Chem. Eng.*, 2019, **7**, 17515–17522.
- 69 B. Indumathy, J. Ananthanarasimhan, L. Rao, S. Yugeswaran and P. V. Ananthapadmanabhan, *J. Phys. D Appl. Phys.*, 2022, **55**, 395501.
- 70 I. Adamovich, S. Agarwal, E. Ahedo, L. L. Alves, S. Baalrud, N. Babaeva, A. Bourdon, P. J. Bruggeman, C. Canal, I. Adamovich, S. Agarwal, E. Ahedo, L. L. Alves, S. Baalrud and T. Plasma, *J. Phys. D: Appl. Phys.*, 2022, **55**, 373001.
- 71 Y. B. Zeldvich, *J. Acta Phytochimica*, 1946, **21**, 577.
- 72 G. A. Lavoie, J. B. Heywood and J. C. Keck, *Combust. Sci. Technol.*, 1970, **1**, 313–326.
- 73 D. Thompson, T. D. Brown and J. M. Beér, *Combust. Flame*, 1972, **19**, 69–79.
- 74 F. Jardali, S. Van Alphen, J. Creel, H. Ahmadi Eshtehardi, M. Axelsson, R. Ingels, R. Snyders and A. Bogaerts, *Green Chem.*, 2021, **23**, 1748–1757.
- 75 N. Rehbein and V. Cooray, *J. Electrostat.*, 2001, **51**, 333–339.
- 76 M. S. Bak and M. A. Cappelli, *IEEE Trans. Plasma Sci.*, 2015, **43**, 995–1001.
- 77 Y. S. Mok and S. W. Ham, *Chem. Eng. Sci.*, 1998, **53**, 1667–1678.
- 78 M. Capitelli, C. M. Ferreira, B. F. Gordiets and A. I. Osipov, *Plasma Kinetics in Atmospheric Gases*, Springer Series on Atomic, Optical, and Plasma Physics, 2013, vol. 31, <https://link.springer.com/book/10.1007/978-3-662-04158-1>.
- 79 S. Teodoru, Y. Kusano and A. Bogaerts, *Plasma Processes Polym.*, 2012, **9**, 652–689.
- 80 J. A. Manion, R. E. Huie, R. D. Levin, D. R. Burgess Jr, V. L. Orkin, W. Tsang, W. S. McGivern, J. W. Hudgens, V. D. Knyazev, D. B. Atkinson, E. Chai, A. M. Tereza, C. Y. Lin, T. C. Allison, W. G. Mallard, F. Westley, J. T. Herron, R. F. Hampson, D. H. Frizzell, *NIST chemical kinetics database*, National Institute of Standards and Technology, Gaithersburg, 2008, available online at <https://kinetics.nist.gov/kinetics/>, accessed: 01 October 2024.
- 81 N. C. Roy, C. Pattyn, A. Remy, N. Maira and F. Reniers, *Plasma Processes Polym.*, 2021, **18**, e2000087.
- 82 W. Wang, B. Patil, S. Heijkers, V. Hessel and A. Bogaerts, *ChemSusChem*, 2017, **10**, 2110.
- 83 N. Britun, V. Gamaleev and M. Hori, *Plasma Sources Sci. Technol.*, 2021, **30**, 08LT02.
- 84 E. Vervloessem, Y. Gorbanev, A. Nikiforov, N. De Geyter and A. Bogaerts, *Green Chem.*, 2022, **24**, 916–929.
- 85 S. Van Alphen, H. A. Eshtehardi, C. O'Modhrain, J. Bogaerts, H. Van Poyer, J. Creel, M.-P. Delplancke, R. Snyders and A. Bogaerts, *Chem. Eng. J.*, 2022, **443**, 136529.
- 86 S. J. Andrews, H. Ogden and J. Marshall, *Some Experiments on an Effusion Cooled Turbine Nozzle Blade*, 1956.
- 87 I. Tsonev, H. A. Eshtehardi, M.-P. Delplancke and A. Bogaerts, *Sustainable Energy Fuels*, 2024, **8**, 2191.
- 88 Z. Liu, Y. Tian, G. Niu, X. Wang and Y. Duan, *ChemSusChem*, 2021, **14**, 1507–1511.
- 89 J. Hong, T. Zhang, R. Zhou, L. Dou, S. Zhang, R. Zhou, B. Ashford, T. Shao, A. B. Murphy, K. K. Ostrikov and P. J. Cullen, *Green Chem.*, 2022, **24**, 7458–7468.
- 90 F. Tampieri, Y. Gorbanev and E. Sardella, *Plasma Processes Polym.*, 2023, **20**, e2300077.
- 91 T. Haruyama, T. Namise, N. Shimoshimizu, S. Uemura, Y. Takatsuji, M. Hino, R. Yamasaki, T. Kamachi and M. Kohno, *Green Chem.*, 2016, **18**, 4536–4541.
- 92 J. R. Toth, N. H. Abuyazid, D. J. Lacks, J. N. Renner and R. M. Sankaran, *ACS Sustain. Chem. Eng.*, 2020, **8**, 14845–14854.
- 93 Y. Gorbanev, E. Vervloessem, A. Nikiforov and A. Bogaerts, *ACS Sustainable Chem. Eng.*, 2020, **8**, 2996–3004.
- 94 S. Yoshida, N. Murakami, Y. Takatsuji and T. Haruyama, *Green Chem.*, 2022, **25**, 579–588.



- 95 T. Sakakura, S. Uemura, M. Hino, S. Kiyomatsu, Y. Takatsuji, R. Yamasaki, M. Morimoto and T. Haruyama, *Green Chem.*, 2018, **20**, 627–633.
- 96 A. Komuro, R. Ono and T. Oda, *J. Phys. D Appl. Phys.*, 2013, **46**, 175206.
- 97 M. Gromov, K. Leonova, N. Britun, N. De Geyter, R. Morent, R. Snyders and A. Nikiforov, *React. Chem. Eng.*, 2022, **7**, 1047–1052.
- 98 S. Ž. Corina Bradu, K. Kutasi, M. Magureanu and N. Puac, *J. Phys. D Appl. Phys.*, 2020, **53**, 223001.
- 99 M. Gromov, K. Leonova, N. Britun, N. De Geyter, R. Morent, R. Snyders and A. Nikiforov, *React. Chem. Eng.*, 2022, **7**, 1047–1052.
- 100 A. Komuro, R. Ono and T. Oda, *J. Phys. D Appl. Phys.*, 2013, **46**, 175206.
- 101 M. Gromov, N. Kamarinopoulou, N. De Geyter, R. Morent, R. Snyders, D. Vlachos, P. Dimitrakellis and A. Nikiforov, *Green Chem.*, 2022, **24**, 9677.
- 102 F. Fresnet, G. Baravian, L. Magne, S. Pasquiers, C. Postel, V. Puech and A. Rousseau, *Plasma Sources Sci. Technol.*, 2002, **11**, 152–160.
- 103 E. Vervloessem, M. Gromov, N. De Geyter, A. Bogaerts, Y. Gorbanev and A. Nikiforov, *ACS Sustain. Chem. Eng.*, 2023, **11**, 4289–4298.
- 104 T. Murakami, in *APS Annual Gaseous Electronics Meeting Abstracts*, 2023, pp. EW4-003.
- 105 O. Sakai, S. Kawaguchi and T. Murakami, *Jpn. J. Appl. Phys.*, 2022, **61**, 070101.
- 106 A. Fridman, Y. Yang and Y. I. Cho, *Plasma Discharge in Liquid: Water Treatment and Applications*, CRC press, 2012.
- 107 P. Bruggeman and C. Leys, *J. Phys. D Appl. Phys.*, 2009, **42**, 053001.
- 108 X. Zhao and Y. Tian, *Cell Rep. Phys. Sci.*, 2023, **4**, 101618.
- 109 D. K. Dinh, I. Muzammil, W. S. Kang, D. Kim and D. H. Lee, *Plasma Sources Sci. Technol.*, 2021, **30**, 055020.
- 110 I. Sremački, M. Gromov, C. Leys, R. Morent, R. Snyders and A. Nikiforov, *Plasma Processes Polym.*, 2019, **17**, e1900191.
- 111 P. Peng, P. Chen, C. Schiappacasse, N. Zhou, E. Anderson, D. Chen, J. Liu, Y. Cheng, R. Hatzenbeller, M. Addy, Y. Zhang, Y. Liu and R. Ruan, *J. Cleaner Prod.*, 2018, **177**, 597–609.
- 112 T. Sakakura, N. Murakami, Y. Takatsuji and T. Haruyama, *J. Phys. Chem. C*, 2020, **124**, 9401–9408.
- 113 Y. Kubota, K. Koga, M. Ohno and T. Hara, *Plasma Fusion Res.*, 2010, **5**, 042.
- 114 T. Sakakura, N. Murakami, Y. Takatsuji, M. Morimoto and T. Haruyama, *ChemPhysChem*, 2019, **20**, 1467–1474.
- 115 P. Peng, C. Schiappacasse, N. Zhou, M. Addy, Y. Cheng, Y. Zhang, E. Anderson, D. Chen, Y. Wang, Y. Liu, P. Chen and R. Ruan, *J. Phys. D Appl. Phys.*, 2019, **52**, 494001.
- 116 T. Mizushima, K. Matsumoto, J. I. Sugoh, H. Ohkita and N. Kakuta, *Appl. Catal., A*, 2004, **265**, 53–59.
- 117 J. N. Armor, *Catal. Today*, 2011, **163**, 3–9.
- 118 Z. Qu, R. Zhou, J. Sun, Y. Gao, Z. Li, T. Zhang, R. Zhou, D. Liu, X. Tu, P. Cullen and K. Ostrikov, *ChemSusChem*, 2023, **17**, e202300783.
- 119 S. Tanaka, H. Uyama and O. Matsumoto, *Plasma Chem. Plasma Process.*, 1994, **14**, 491–504.
- 120 R. De Meyer, Y. Gorbanev, R.-G. Ciocarlan, P. Cool, S. Bals and A. Bogaerts, *Chem. Eng. J.*, 2024, **488**, 150838.
- 121 C. Ndayirinde, Y. Gorbanev, R. G. Ciocarlan, R. De Meyer, A. Smets, E. Vlasov, S. Bals, P. Cool and A. Bogaerts, *Catal. Today*, 2023, **419**, 114156.
- 122 Y. Wu, C. M. Limbach, A. A. Tropina and R. B. Miles, *AIAA Scitech 2019 Forum*, 2019, pp. 2066.
- 123 A. Lo, A. Cessou, P. Boubert and P. Vervisch, *J. Phys. D Appl. Phys.*, 2014, **47**, 5201.
- 124 W. Yang, Q. Zhou, Q. Sun, Z. Dong and E. Yan, *AIP Adv.*, 2020, **10**, 10.
- 125 A. Garscadden and R. Nagpal, *Plasma Sources Sci. Technol.*, 1995, **4**, 268.
- 126 K. H. R. Rouwenhorstm and L. Lefferts, *ChemCatChem*, 2023, **15**, e202300078.
- 127 J. A. Andersen, M. C. Holm, K. van 't Veer, J. M. Christensen, M. Østberg, A. Bogaerts and A. D. Jensen, *Chem. Eng. J.*, 2023, **457**, 141294.
- 128 Y. Gorbanev, I. Fedirchuk and A. Bogaerts, *Curr. Opin. Green Sustainable Chem.*, 2024, **47**, 100916.
- 129 X. Pei, D. Gidon and D. B. Graves, *J. Phys. D Appl. Phys.*, 2019, **53**, 044002.
- 130 Y. D. Korolev, O. B. Frants, N. V Landl and A. I. Suslov, *IEEE Trans. Plasma Sci.*, 2012, **40**, 2837–2842.
- 131 E. D. McCollum and F. Daniels, *Ind. Eng. Chem.*, 1923, **15**, 1173–1175.
- 132 M. Bai, Z. Zhang, X. Bai, M. Bai and W. Ning, *IEEE Trans. Plasma Sci.*, 2003, **31**, 1285–1291.
- 133 Y. Wang, M. Craven, X. Yu, J. Ding, P. Bryant, J. Huang and X. Tu, *ACS Catal.*, 2019, **9**, 10780–10793.
- 134 Y. Liu, C. W. Wang, X. F. Xu, B. W. Liu, G. M. Zhang, Z. W. Liu, Q. Chen and H. B. Zhang, *Plasma Chem. Plasma Process.*, 2022, **42**, 267–282.
- 135 S. Li, T. van Raak and F. Gallucci, *J. Phys. D Appl. Phys.*, 2020, **53**, 014008.
- 136 S. Li, Y. Shao, H. Chen and X. Fan, *Ind. Eng. Chem. Res.*, 2022, **61**, 3292–3302.
- 137 Y. Luo, H. Jiang, L.-X. Ding, S. Chen, Y. Zou, G.-F. Chen and H. Wang, *ACS Sustain. Chem. Eng.*, 2023, **11**, 11737–11744.
- 138 J. Sun, D. Alam, R. Daiyan, H. Masood, T. Zhang, R. Zhou, P. J. Cullen, E. C. Lovell, A. R. Jalili and R. Amal, *Energy Environ. Sci.*, 2021, **14**, 865–872.
- 139 Y. Cui, H. Yang, C. Dai, P. Ren, C. Song and X. Ma, *Ind. Eng. Chem. Res.*, 2022, **61**, 4816–4823.
- 140 Z. Meng, J. X. Yao, C. N. Sun, X. Kang, R. Gao, H. R. Li, B. Bi, Y. F. Zhu, J. M. Yan and Q. Jiang, *Adv. Energy Mater.*, 2022, **12**, 2202105.
- 141 A. Wu, J. Yang, B. Xu, X. Y. Wu, Y. Wang, X. Lv, Y. Ma, A. Xu, J. Zheng, Q. Tan, Y. Peng, Z. Qi, H. Qi, J. Li, Y. Wang, J. Harding, X. Tu, A. Wang, J. Yan and X. Li, *Appl. Catal., B*, 2021, **299**, 120667.
- 142 P. J. Bruggeman, M. J. Kushner, B. R. Locke, J. G. E. Gardeniers, W. G. Graham, D. B. Graves, R. C. H. M. Hofman-Caris, D. Maric, J. P. Reid, E. Ceriani, D. Fernandez Rivas, J. E. Foster, S. C. Garrick,



- Y. Gorbanev, S. Hamaguchi, F. Iza, H. Jablonowski, E. Klimova, J. Kolb, F. Krcma, P. Lukes, Z. MacHala, I. Marinov, D. Mariotti, S. Mededovic Thagard, D. Minakata, E. C. Neyts, J. Pawlat, Z. L. Petrovic, R. Pflieger, S. Reuter, D. C. Schram, S. Schröter, M. Shiraiwa, B. Tarabová, P. A. Tsai, J. R. R. Verlet, T. Von Woedtke, K. R. Wilson, K. Yasui and G. Zvereva, *Plasma Sources Sci. Technol.*, 2016, **25**, 053002.
- 143 H. M. Nguyen, F. Gorky, S. Guthrie and M. L. Carreon, *Catal. Today*, 2023, **418**, 114141.
- 144 S. Kumar, N. Singh and R. Prasad, *Renewable Sustainable Energy Rev.*, 2010, **14**, 1830–1844.
- 145 P. Lamichhane, N. Pourali, L. Scott, N. N. Tran, L. Lin, M. E. Gelonch, E. V. Rebrov and V. Hessel, *Renewable Sustainable Energy Rev.*, 2024, **189**, 114044.
- 146 E. Morais and A. Bogaerts, *Plasma Processes Polym.*, 2024, **21**, e2300149.
- 147 A. Oumghar, J. C. Legrand, A. M. Damiy, N. Turillon and R. I. Ben-Aim, *Plasma Chem. Plasma Process.*, 1994, **14**, 229–249.
- 148 J.-C. Legrand, A.-M. Damiy, R. Hrach and V. Hrachova, *Vacuum*, 1999, **52**, 27–32.
- 149 G. Horvath, N. J. Mason, L. Polachova, M. Zahoran, L. Moravsky and S. Matejcik, *Plasma Chem. Plasma Process.*, 2010, **30**, 565–577.
- 150 Y. Yi, X. Wang, A. Jafarzadeh, L. Wang, P. Liu, B. He, J. Yan, R. Zhang, H. Zhang and X. Liu, *ACS Catal.*, 2021, **11**, 1765–1773.
- 151 R. Zhou, R. Zhou, Y. Xian, Z. Fang, X. Lu, K. Bazaka, A. Bogaerts and K. Ken) Ostrikov, *Chem. Eng. J.*, 2020, **382**, 122745.
- 152 W. Wang, C. Zhu and Y. Cao, *Int. J. Hydrogen Energy*, 2010, **35**, 1951–1956.
- 153 N. Budhraj, A. Pal and R. S. Mishra, *Int. J. Hydrogen Energy*, 2023, **48**, 2467–2482.
- 154 J. Park, R. S. Zhu and M. C. Lin, *J. Chem. Phys.*, 2002, **117**, 3224–3231.
- 155 J. Feng, P. Ning, K. Li, X. Sun, C. Wang, L. Jia and M. Fan, *ACS Sustain. Chem. Eng.*, 2023, **11**, 804–814.
- 156 G. W. Kim, M. A. Alam, J. J. Lee, G. Y. Kim, P. J. Kim and M. I. Khan, *Eur. J. Soil Biol.*, 2017, **83**, 76–83.
- 157 F. Manaigo, K. Rouwenhorst, A. Bogaerts and R. Snyders, *Energy Convers. Manage.*, 2024, **302**, 118124.
- 158 M. Adhami Sayad Mahaleh, M. Narimisa, A. Nikiforov, M. Gromov, Y. Gorbanev, R. Bitar, R. Morent and N. De Geyter, *Appl. Sci.*, 2023, **13**, 7619.
- 159 L. Hollevoet, F. Jardali, Y. Gorbanev, J. Creel, A. Bogaerts and J. A. Martens, *Angew. Chem.*, 2020, **132**, 24033–24037.
- 160 L. Li, C. Tang, X. Cui, Y. Zheng, X. Wang, H. Xu, S. Zhang, T. Shao, K. Davey and S. Z. Qiao, *Angew. Chem., Int. Ed.*, 2021, **60**, 14131–14137.
- 161 C. Lee and Q. Yan, *Curr. Opin. Electrochem.*, 2021, **29**, 100808.
- 162 J. Osorio-Tejada, N. N. Tran and V. Hessel, *Sci. Total Environ.*, 2022, **826**, 154162.
- 163 G. Yu, Y. Wang, L. Zheng, J. Huang, J. Li, L. Gong, R. Chen, W. Li, J. Huang and Y.-S. Duh, *Process Saf. Environ. Prot.*, 2021, **152**, 201–219.
- 164 C. Font-Palma, *C*, 2019, **5**, 27.
- 165 M. Vilarrasa-Nogué, M. R. Teira-Esmatges, E. González-Llinàs, F. Domingo-Olivé and J. M. Villar, *Sci. Total Environ.*, 2020, **724**, 137918.
- 166 R. Ingels, *U.S. Pat.*, US011517848B2, 2022, <https://patents.justia.com/patent/11517848>.
- 167 R. Ingels and D. B. Graves, *Plasma Med.*, 2015, **5**, 2–4.
- 168 J. Osorio-Tejada, N. N. Tran and V. Hessel, *Sci. Total Environ.*, 2022, **826**, 154162.
- 169 J. L. Osorio-Tejada, E. Rebrov and V. Hessel, *Int. J. Life Cycle Assess.*, 2023, **28**, 1590–1603.
- 170 R. M. Nayak-Luke, C. Forbes, Z. Cesaro, R. Bañares-Alcántara and K. H. R. Rouwenhorst, *Techno-Economic Challenges of Green Ammonia as Energy Vector*, ed. Bañares-Alcántara, R. and Valera-Medina, A., 2020, pp. 191–208.
- 171 F. Manaigo, K. Rouwenhorst, A. Bogaerts and R. Snyders, *Energy Convers. Manage.*, 2024, **302**, 118124.

